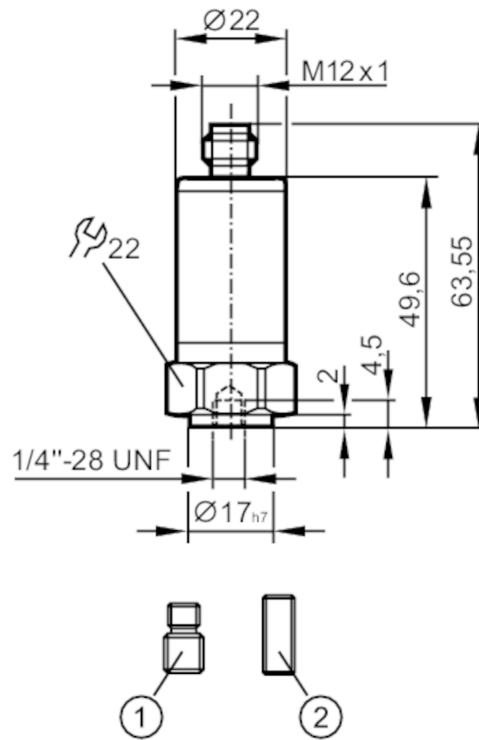


VVB010



Vibration sensor

VIBRATION IO-LINK SWITCH



- 1 set screw 1/4"-28 UNF / M8
2 set screw 1/4"-28 UNF



Product characteristics

Frequency range	[Hz]	2...10000
Measuring principle		capacitive
v-RMS		
Measuring range of vibration	[mm/s]	0...45
a-Peak / a-RMS		
Measuring range of vibration	0...50 g	0...490.3 m/s ²

Application

Application	Big machines, performance > 300 kW, speed > 600 rpm
-------------	---

Electrical data

Operating voltage	[V]	18...30 DC
Current consumption	[mA]	< 50
Min. insulation resistance	[MΩ]	100; (500 V DC)
Protection class		III
Reverse polarity protection		yes
Type of sensor		Microelectromechanical system (MEMS)

Inputs / outputs

Number of inputs and outputs	Number of digital outputs: 2
------------------------------	------------------------------

VVB010



Vibration sensor

VIBRATION IO-LINK SWITCH

Outputs		
Output signal		switching signal; IO-Link
Electrical design		PNP/NPN; (configurable)
Number of digital outputs		2
Output function		normally open / closed
Max. voltage drop switching output DC	[V]	2
Max. current load per output	[mA]	100
Short-circuit protection		yes
Type of short-circuit protection		yes (non-latching)
Overload protection		yes
Measuring/setting range		
Note on setpoint SP		configurable
Frequency range	[Hz]	2...10000
Measuring principle		capacitive
Number of measurement axes		1
v-RMS		
Measuring range of vibration	[mm/s]	0...45
Set point SP	[mm/s]	0.2...45
Reset point rP	[mm/s]	0...44.8
In steps of	[mm/s]	0.2
a-Peak / a-RMS		
Measuring range of vibration	0...50 g	0...490.3 m/s ²
Set point SP	0.2...50 g	2...490.3 m/s ²
Reset point rP	0...49.8 g	0...488.3 m/s ²
In steps of	0.2 g	2 m/s ²
Crest		
Measuring range of vibration		1...50
Set point SP		2...50
Reset point rP		1...49
In steps of		1
Temperature measurement		
Measuring range	[°C]	-30...80
Resolution	[°C]	0.1
Set point SP	[°C]	-28...80
Reset point rP	[°C]	-30...78
In steps of	[°C]	2
Accuracy / deviations		
Accuracy		≤ 4 kHz +/-10 %; ≥ 4...10 kHz: < 3 dB
Accuracy	[K]	± 2,5 K + (0,2 x (Umgebungstemperatur - Oberflächentemperatur))
Linearity deviation		2 %

VVB010



Vibration sensor

VIBRATION IO-LINK SWITCH

Software / programming							
Parameter setting options	Software						
Diagnostic functions	self-test						
Interfaces							
Communication interface	IO-Link						
Transmission type	COM2 (38,4 kBaud); COM3 (230,4 kBaud)						
IO-Link revision	1.1						
SDCI standard	IEC 61131-9: 2013-07						
Profiles	Blob (0x0030); Measuring sensor (0x800A); Common Profile (0x4000)						
SIO mode	yes						
Required master port class	A						
Process data analog	10						
Process data binary	2						
Min. process cycle time [ms]	3.6						
IO-Link functions (acyclical)	filter for v-RMS, a-RMS, a-Peak; Hysteresis; window; Switch points; switching logic						
Supported DeviceIDs	<table border="1"><thead><tr><th>Type of operation</th><th>DeviceID</th></tr></thead><tbody><tr><td>Status A (COM2)</td><td>1255</td></tr><tr><td>Status B (COM2 / COM3)</td><td>1368</td></tr></tbody></table>	Type of operation	DeviceID	Status A (COM2)	1255	Status B (COM2 / COM3)	1368
Type of operation	DeviceID						
Status A (COM2)	1255						
Status B (COM2 / COM3)	1368						
Note	For further information please see the IODD PDF file at "Downloads"						
Operating conditions							
Ambient temperature [°C]	-30...80						
Storage temperature [°C]	-30...80						
Protection	IP 67; IP 68; IP 69K						
Tests / approvals							
EMC	2014/30/EU DIN EN 61000-6-2 DIN EN 61000-6-3						
Shock resistance	DIN EN 60068-2-27 50 g 11 ms 500 g 1 ms						
Vibration resistance	DIN EN 60068-2-6 20 g / 10...3000 Hz						
MTTF [years]	299						
UL approval	Ta -30...70 °C UL approval number L002						
Mechanical data							
Weight [g]	116						
Type of mounting	set screw						
Material	housing: stainless steel (1.4404 / 316L)						
Tightening torque [Nm]	8						
Accessories							
Items supplied	set screw: 1 x 1/4" 28 UNF / M8 set screw: 1 x 1/4"28 UNF x 5/8" DIN916						
Remarks							
Pack quantity	1 pcs.						

VVB010



Vibration sensor

VIBRATION IO-LINK SWITCH

Electrical connection

Connector: 1 x M12; coding: A; Maximum cable length: 20 m



1	L+
2	OUT2
3	L-
4	OUT1 switching output or IO-Link