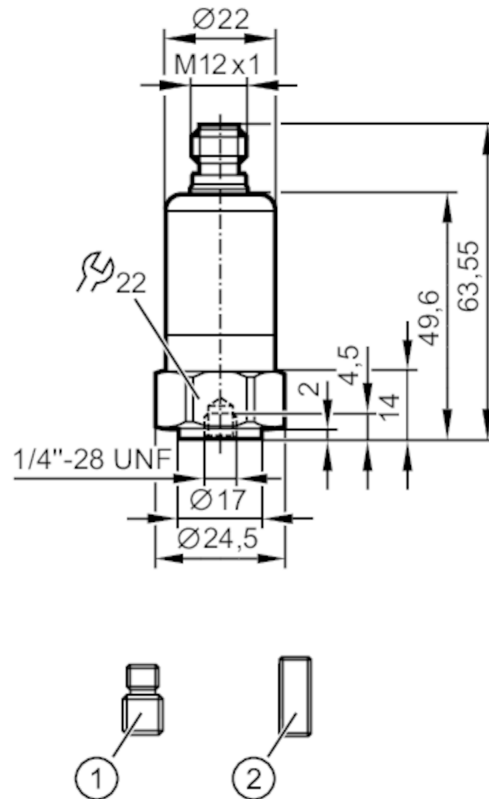


VTV122



Vibration transmitter

VIBRATION TRANSMITTER



- 1 set screw 1/4"-28 UNF / M8 x 1.25 mm
 2 set screw 1/4"-28 UNF
 Tightening torque 8 Nm



Product characteristics

Measuring range of vibration [mm/s]	0...25; (RMS)
Frequency range [Hz]	10...1000

Application

Application	Vibration transmitter to ISO 10816
-------------	------------------------------------

Electrical data

Operating voltage [V]	9.6...32 DC
Protection class	III
Type of sensor	Microelectromechanical system (MEMS)

Inputs / outputs

Total number of inputs and outputs	1
------------------------------------	---

Outputs

Analog current output [mA]	4...20
Max. load [Ω]	< (U _b - 9,6 V) x 50; U _b = 24 V: 720

Measuring/setting range

Measuring range of vibration [mm/s]	0...25; (RMS)
Frequency range [Hz]	10...1000

VTV122



Vibration transmitter

VIBRATION TRANSMITTER

Number of measurement axes	1
----------------------------	---

Accuracy / deviations

Measuring error [% of the final value]	< ± 3
Repeatability	< 0,5; (% of the final value)
Linearity deviation	0,25 %

Operating conditions

Ambient temperature [°C]	-30...125
Note on ambient temperature	UL application: < 80 °C
Storage temperature [°C]	-30...125
Protection	IP 67; IP 68; IP 69K

Tests / approvals

EMC	EN 61000-6-2	
	EN 61000-6-3	
Shock resistance	DIN EN 60068-2-27	50 g 11 ms
		500 g 1 ms
Vibration resistance	DIN EN 60068-2-6	20 g / 10...3000 Hz
MTTF [years]		868

Mechanical data

Weight [g]	123.5
Type of mounting	set screw
Material	stainless steel (1.4404 / 316L)
Tightening torque [Nm]	8

Accessories

Items supplied	set screw: 1 x 1/4"-28 UNF / M8 x 1,25 mm set screw: 1 x 1/4"-28 UNF
----------------	-------------------------------------------------------------------------

Remarks

Pack quantity	1 pcs.
---------------	--------

Electrical connection

Connector: 1 x M12; coding: A



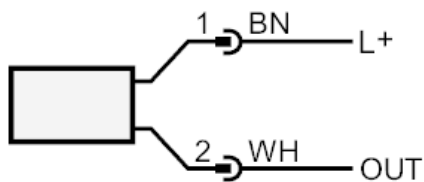
VTV122



Vibration transmitter

VIBRATION TRANSMITTER

Connection



1	L+
2	4...20 mA