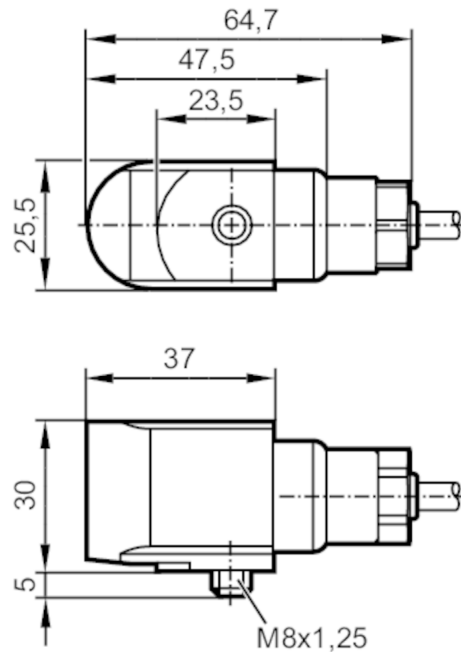


VSP01A



Accelerometer

VIBRATION SENSOR ATEX



Product characteristics

Measuring range of vibration	[g]	-50...50
Frequency range	[Hz]	2...10000
Measuring principle		piezoelectric

Application

Design	for connection to external diagnostic electronics VSExxx
--------	--

Electrical data

Switching amplifiers	Connection to intrinsically safe supply isolators (Ex ia)	
Operating voltage	[V]	10...12 DC
Current consumption	[mA]	0.5...8
Min. insulation resistance	[MΩ]	100; (500 V DC)
Protection class		III
Reverse polarity protection		yes

Outputs

Max. load	[Ω]	200
Short-circuit protection		yes
Overload protection		yes

Measuring/setting range

Measuring range of vibration	[g]	-50...50
Frequency range	[Hz]	2...10000
Measuring principle		piezoelectric
Sensitivity	[mV/g]	100
Noise density	[mg]	0.1
Max. transverse sensitivity	[%]	5

VSP01A



Accelerometer

VIBRATION SENSOR ATEX

Minimum measuring time	[s]	2
Number of measurement axes		1

Operating conditions

Ambient temperature	[°C]	-55...90
Storage temperature	[°C]	-55...90
Protection		IP 68; (water-proof up to: 100 m 10 bar; restrictions for 1D applications: IP 65)

Tests / approvals

Approval	Baseefa12ATEX0248X; IECEx BAS 12.0133 X	
ATEX marking	⊕ II 1G Ex ia IIC T4 Ga (-55°C < Ta < +90°C)	
	⊕ II 1D Ex ia IIIC T110°C IP65 Da (-55°C < Ta < +90°C)	
	⊕ II 1G Ex ia IIC T6 Ga (-55°C < Ta < +60°C)	
	⊕ II 1D Ex ia IIIC T80°C IP65 Da (-55°C < Ta < +60°C)	
EMC	EN 61000-6-2	2005
	EN 61000-6-4	2007
Shock resistance		5000 g

Mechanical data

Weight	[g]	668.5
Type of mounting		M8 x 1,25
Dimensions	[mm]	30 x 25.5 x 64.7
Material		housing: stainless steel
Tightening torque	[Nm]	8

Accessories

Accessories (optional)	Safety barrier, ZB0633
------------------------	------------------------

Remarks

Pack quantity	1 pcs.
---------------	--------

Electrical connection

Cable: 10 m, PUR

white	IEPE +
black	IEPE -
screen	drain wire