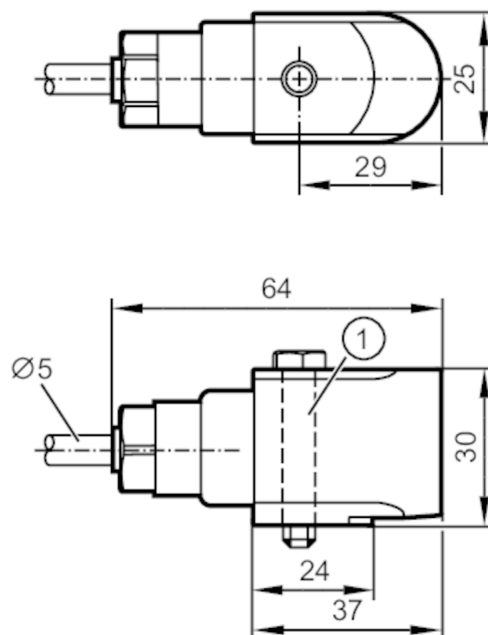


VSP004



Accelerometer

VIBRATION SENSOR SUBMERSIBLE



1 M8 x 1.25



Product characteristics

Measuring range of vibration [g]	-80...80; (-50...50 g when connected to a VSE)
Frequency range [Hz]	1.5...12000
Measuring principle	piezoelectric
Communication interface	IEPE

Application

System	screened cable
Design	for connection to external diagnostic electronics VSE

Electrical data

Bias voltage DC [V]	10...12
Current consumption [mA]	0.5...8
Min. insulation resistance [MΩ]	100; (500 V DC)
Reverse polarity protection	yes

Measuring/setting range

Measuring range of vibration [g]	-80...80; (-50...50 g when connected to a VSE)
Frequency range [Hz]	1.5...12000
Measuring principle	piezoelectric
Noise density [mg]	0.1
Max. transverse sensitivity [%]	5
Minimum measuring time [s]	2
Number of measurement axes	1

Accuracy / deviations

Accuracy	± 10 %
----------	--------

VSP004



Accelerometer

VIBRATION SENSOR SUBMERSIBLE

Measuring sensitivity	100 mV/g
-----------------------	----------

Interfaces

Communication interface	IEPE
-------------------------	------

Operating conditions

Ambient temperature	[°C]	-50...150
Storage temperature	[°C]	-20...80
Max. relative air humidity	[%]	80; (50 °C; 50 % non condensing)
Protection		IP 68; (water-proof up to 100 m 10 bar)

Tests / approvals

EMC	EN 61326-1	: 2013
Shock resistance	EN 61326-1	: 2013

Mechanical data

Weight	[g]	1892
Type of mounting		M8 x 1,25
Material		housing: stainless steel
Tightening torque	[Nm]	8

Remarks

Pack quantity	1 pcs.
---------------	--------

Electrical connection

Cable: 25 m, PTFE coated, blue, screened

white	IEPE +
black	IEPE -
screen	drain wire