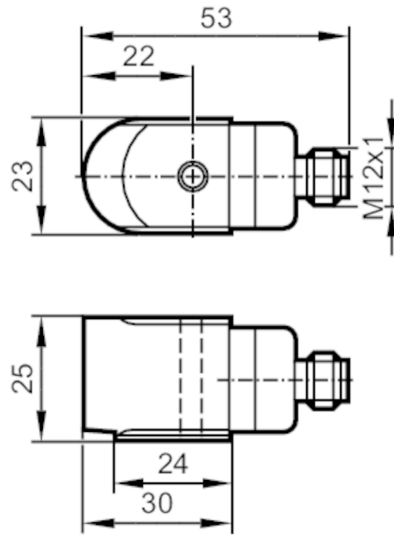


VSP003



Accelerometer

VIBRATION SENSOR



Product characteristics

Measuring range of vibration [g]	-80...80; (-50...50 g when connected to a VSE)
Frequency range [Hz]	1.5...16000
Measuring principle	piezoelectric
Communication interface	IEPE

Application

Design	for connection to external diagnostic electronics VSE
--------	---

Electrical data

Bias voltage DC [V]	10...12
Current consumption [mA]	0.5...8
Min. insulation resistance [MΩ]	100; (500 V DC)
Reverse polarity protection	yes

Measuring/setting range

Measuring range of vibration [g]	-80...80; (-50...50 g when connected to a VSE)
Frequency range [Hz]	1.5...16000
Measuring principle	piezoelectric
Noise density [mg]	0.1
Max. transverse sensitivity [%]	5
Minimum measuring time [s]	1
Number of measurement axes	1

Accuracy / deviations

Accuracy	± 10 %
Measuring sensitivity	100 mV/g

Interfaces

Communication interface	IEPE
-------------------------	------

VSP003



Accelerometer

VIBRATION SENSOR

Operating conditions		
Ambient temperature	[°C]	-55...130
Storage temperature	[°C]	-55...130
Protection		IP 67
Tests / approvals		
EMC	EN 61326-1	: 2013
Shock resistance	EN 61326-1	: 2013
MTTF	[years]	1142
Mechanical data		
Weight	[g]	135
Type of mounting		M8 x 1,25
Material		housing: stainless steel
Tightening torque	[Nm]	8
Remarks		
Pack quantity		1 pcs.

Electrical connection

Connector: 1 x M12; coding: A



1	not used
2	IEPE +
3	not used
4	IEPE -