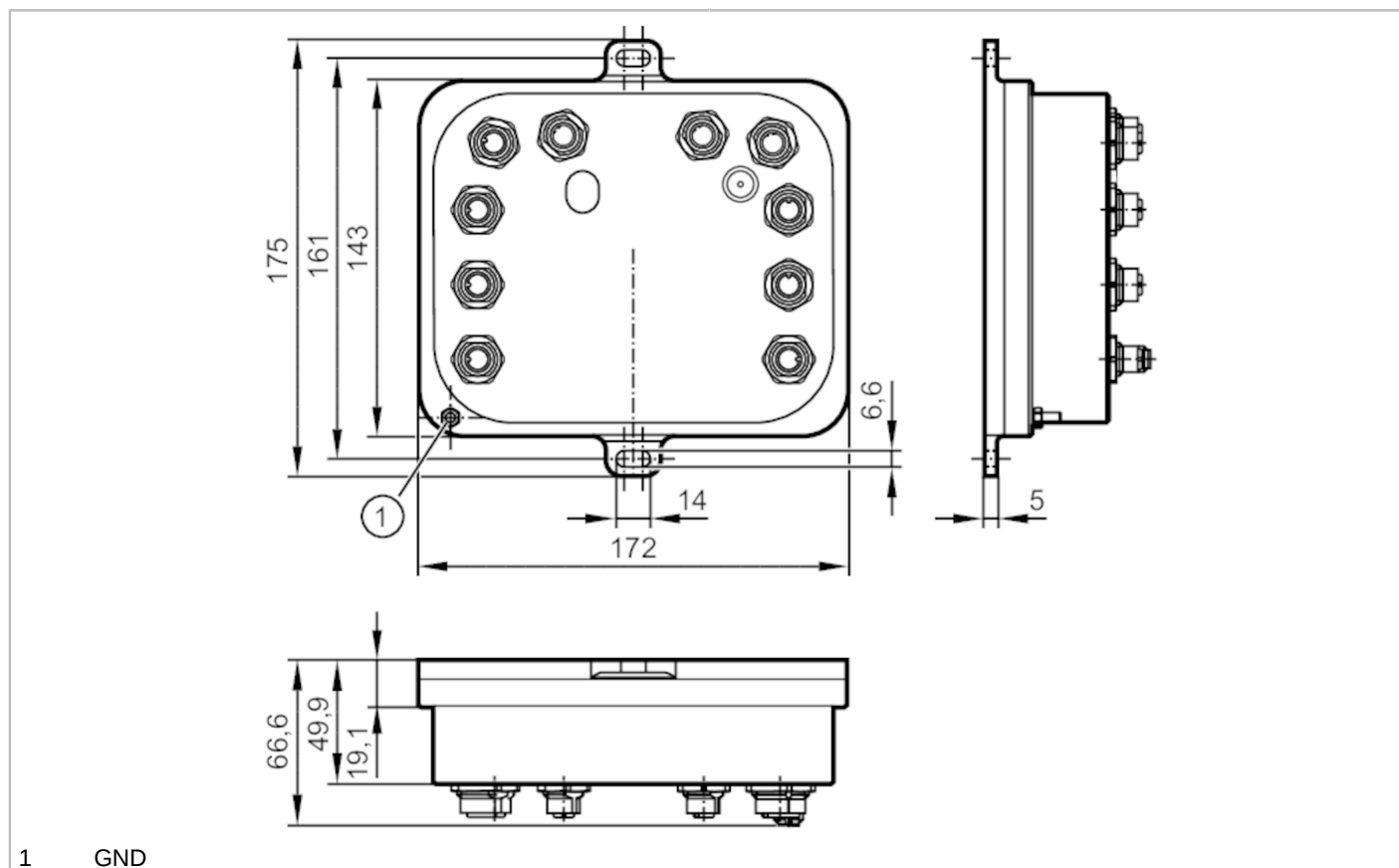


VSE951



Diagnostic electronics for vibration sensors

DIAGNOSTIC ELECTRONICS



1 GND



Product characteristics

Frequency range	[Hz]	0.1...12000
Communication interface		Ethernet

Application

Design	parameter setting via PC software VES004
--------	--

Electrical data

Operating voltage tolerance	[%]	20
Operating voltage	[V]	24 DC
Current consumption	[mA]	200; ((24 V DC))
Protection class		III

Inputs / outputs

Total number of inputs and outputs	8; (configurable)
Number of inputs and outputs	Number of digital inputs: 1; Number of analog inputs: 1; Number of dynamic inputs: 4; Number of digital outputs: 2; Number of analog outputs: 1

Inputs

Total number of inputs	6	
Number of digital inputs	1	
Digital input - frequency range	[Hz]	0,1...100000
Number of analog inputs	1; (static)	



Diagnostic electronics for vibration sensors

DIAGNOSTIC ELECTRONICS

Analog input (current)	[mA]	0...20
Resolution of analog input		12
Number of dynamic inputs		4
Dynamic input - signal		0...20 mA
Dynamic input - resolution	[bit]	16
Dynamic input - frequency range	[Hz]	0...12000
Dynamic input - sampling rate	[kSamples]	100

Outputs

Total number of outputs		2
Output signal		switching signal; analog signal
Electrical design		PNP
Number of digital outputs		2; (configurable)
Output function		normally open / closed; (configurable)
Max. voltage drop switching output DC	[V]	2
Permanent current rating of switching output DC	[mA]	100
Number of analog outputs		1; (configurable)
Analog current output	[mA]	0...22
Max. load	[Ω]	500
Short-circuit protection		yes
Type of short-circuit protection		yes (non-latching)
Overload protection		yes

Measuring/setting range

Frequency range	[Hz]	0.1...12000
-----------------	------	-------------

Interfaces

Communication interface		Ethernet
Type of connector		M12
Protocol		EtherNet/IP

Operating conditions

Ambient temperature	[°C]	0...60
Storage temperature	[°C]	0...60
Protection		IP 67

Tests / approvals

EMC	EN 61000-4-2 ESD	4 kV contact discharge / 15 kV air discharge
	EN 61000-4-3	10 V/m (80...2700 MHz)
	EN 61000-4-4 Burst	4 kV capacitive coupling probe, earthed
	EN 61000-4-6	10 V 0,15...80 MHz
	EN 61000-6-4	industrial environments
MTTF	[years]	91
UL approval	UL approval number	L004
	File number UL	E251902

VSE951



Diagnostic electronics for vibration sensors

DIAGNOSTIC ELECTRONICS

Mechanical data	
Weight [g]	1394
Housing	aluminum
Type of mounting	Backplane mounting
Dimensions [mm]	175 x 172 x 66.6
Material	EN AW-5083: black anodized

Data memory	
Real-time clock	yes

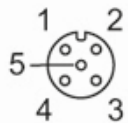
Accessories	
Accessories (optional)	cross-over Ethernet patch cable for the direct connection to the PC

Remarks	
Pack quantity	1 pcs.

Electrical connection	
Connection	

Electrical connection - Sensor 1...4

Connector: 4 x M12; coding: A



- 1 L+
- 2 Signal
- 3 GND
- 4 Test

Electrical connection - Config / IE1 / IE2

Connector: 3 x M12; coding: D



- 1 TxD+
- 2 RxD+
- 3 TxD-
- 4 RxD-

VSE951

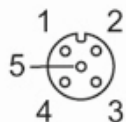


Diagnostic electronics for vibration sensors

DIAGNOSTIC ELECTRONICS

Electrical connection - IN 1

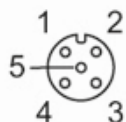
Connector: 1 x M12; coding: A; Maximum cable length: 30 m



- 1 24 V DC
- 2 -
- 3 GND
- 4 IN 1 (pulses)

Electrical connection - IN 2

Connector: 1 x M12; coding: A; Maximum cable length: 30 m



- 1 24 V DC
- 2 IN 2 (4..20mA)
- 3 GND
- 4 -

Electrical connection - OU / Supply



- 1 24 V DC
- 2 analog / digital
- 3 GND
- 4 OU2: switch