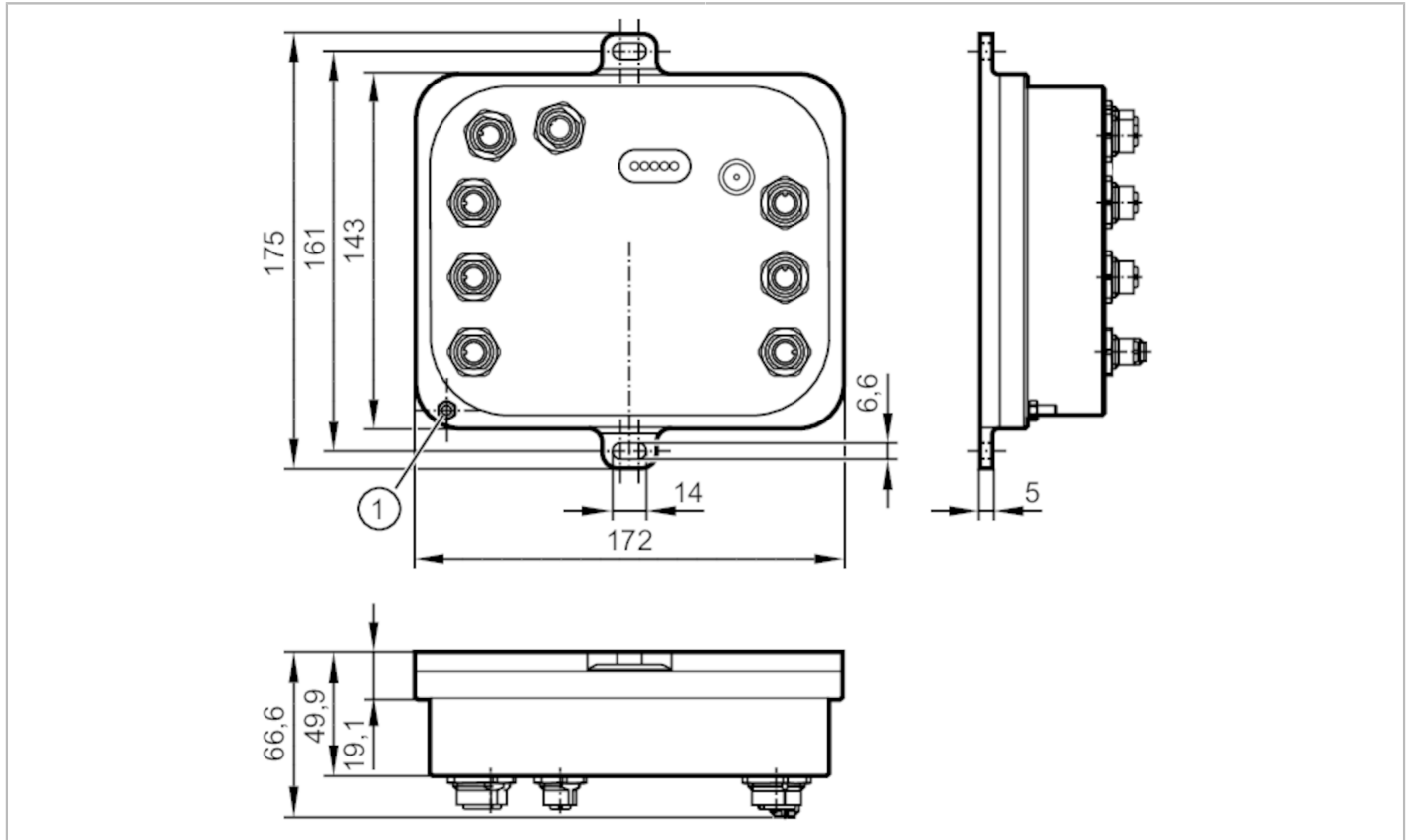


VSE903



Diagnostic electronics for vibration sensors

DIAGNOSTIC ELECTRONICS



Product characteristics	
Frequency range	[Hz] 0.1...12000
Communication interface	Ethernet
Application	
Design	parameter setting via PC software VES004
Application	continuous vibration monitoring
Electrical data	
Operating voltage tolerance	[%] 20
Operating voltage	[V] 24 DC; (when using the IEPE input 24 V + 20% IEPE = Integrated Electronics Piezo Electric)
Current consumption	[mA] 200; ((24 V DC))
Protection class	III
Inputs / outputs	
Total number of inputs and outputs	8; (configurable)
Number of inputs and outputs	Number of dynamic inputs: 4; Number of digital outputs: 2; Number of analog outputs: 1
Inputs	
Total number of inputs	6
Analog input (current)	[mA] 4...20
Resolution of analog input	12
Number of dynamic inputs	4



Diagnostic electronics for vibration sensors

DIAGNOSTIC ELECTRONICS

Dynamic input - signal		0...10 mA / IEPE / 4...20 mA
Dynamic input - frequency range	[Hz]	0,1...12000
Dynamic input - sampling rate	[kSamples]	100
Outputs		
Total number of outputs		2
Output signal		switching signal; analog signal
Electrical design		PNP
Number of digital outputs		2
Output function		normally open / closed; (configurable)
Max. voltage drop switching output DC	[V]	2
Permanent current rating of switching output DC	[mA]	100
Number of analog outputs		1; (configurable)
Analog current output	[mA]	4...20
Max. load	[Ω]	500
Short-circuit protection		yes
Type of short-circuit protection		yes (non-latching)
Overload protection		yes
Measuring/setting range		
Frequency range	[Hz]	0.1...12000
Interfaces		
Communication interface		Ethernet
Protocol		TCP/IP
Note on protocol	10 Mbaud	
	100 Mbaud	
Operating conditions		
Ambient temperature	[°C]	0...70
Storage temperature	[°C]	0...70
Max. relative air humidity	[%]	90
Protection		IP 67
Tests / approvals		
EMC	EN IEC 61000-6-2	
	EN IEC 61000-6-4	
MTTF	[years]	92
UL approval	Ta	70 °C
	Enclosure type	Type 1
	voltage supply	Limited Voltage/Current (Marking Class 2)
	UL approval number	L004
	File number UL	E251902
Mechanical data		
Weight	[g]	1296.7
Housing		aluminum

VSE903



Diagnostic electronics for vibration sensors

DIAGNOSTIC ELECTRONICS

Type of mounting	Backplane mounting
Dimensions [mm]	175 x 172 x 66.6
Material	EN AW-5083: black anodized

Data memory	
History memory	yes
Data memory buffered	yes
Data memory type	ring memory; FIFO
Real-time clock	yes
Memory location	internal
Memory interval	min. 1 min
Memory size	881664 data records

Accessories	
Accessories (optional)	cross-over Ethernet patch cable for the direct connection to the PC

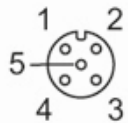
Remarks	
Pack quantity	1 pcs.

Electrical connection

Connection

Electrical connection - Sensor 1...4

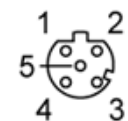
Connector: 4 x M12; coding: A



- 1 L+
- 2 Signal
- 3 GND
- 4 Test

Electrical connection - Config

Connector: 1 x M12; coding: D



- 1 TxD+
- 2 RxD+
- 3 TxD-
- 4 RxD-

VSE903

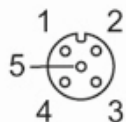


Diagnostic electronics for vibration sensors

DIAGNOSTIC ELECTRONICS

Electrical connection - IN 1

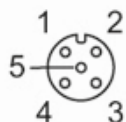
Connector: 1 x M12; coding: A; Maximum cable length: 250 m



- 1 24 V DC
- 2 -
- 3 GND
- 4 IN 1 (pulses)

Electrical connection - IN 2

Connector: 1 x M12; coding: A; Maximum cable length: 250 m



- 1 24 V DC
- 2 IN 2 (4..20mA)
- 3 GND
- 4 -

Electrical connection - OU / Supply



- 1 24 V DC
- 2 analog / digital
- 3 GND
- 4 OU2: switch