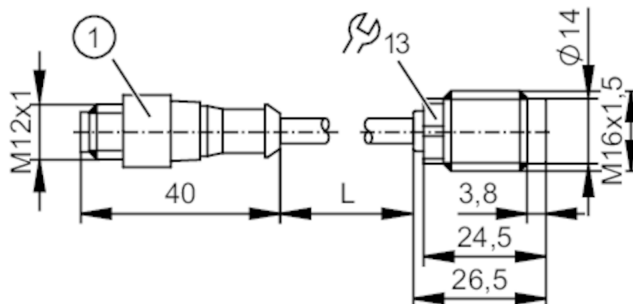


# VSA002



## Accelerometer

VIBRATION SENSOR



1 illustration (example)  
L 760 mm



### Product characteristics

Measuring range of vibration	[g]	-25...25
Frequency range	[Hz]	1...10000
Measuring principle		capacitive

### Application

System	screened cable; Drag chain suitability
Design	for connection to external diagnostic electronics VSE
Application	vibration detection

### Electrical data

Operating voltage	[V]	7.2...10.8 DC
Current consumption	[mA]	< 15
Min. insulation resistance	[MΩ]	100; (500 V DC)
Protection class		III
Reverse polarity protection		yes
Type of sensor		Microelectromechanical system (MEMS)

### Outputs

Analog current output	[mA]	0...10
Max. load	[Ω]	300

### Measuring/setting range

Measuring range of vibration	[g]	-25...25
Frequency range	[Hz]	1...10000
Measuring principle		capacitive
Sensitivity	[μA/g]	142
Number of measurement axes		1

### Accuracy / deviations

Linearity deviation		0,2 %
---------------------	--	-------

### Operating conditions

Ambient temperature	[°C]	-30...85
Note on ambient temperature		cULus: < 80 °C

# VSA002



## Accelerometer

VIBRATION SENSOR

Storage temperature	[°C]	-30...85
Protection		IP 67

### Tests / approvals

EMC	EN IEC 61000-6-2 2019	
	EN 61000-6-3	
Shock resistance	DIN EN 60068-2-27	50 g 11 ms
Vibration resistance	DIN EN 60068-2-20	20 g / 10 ... 2000 Hz
MTTF	[years]	2642

### Mechanical data

Weight	[g]	87.5
Type of mounting		M16 x 1,5
Material		housing: stainless steel (1.4404 / 316L)
Tightening torque	[Nm]	8
Mechanische Überlastfestigkeit	[g]	500
Drag chain suitability		yes
Drag chain suitability	Bending radius for fixed installation	: min. 4 x cable diameter
	Bending radius for flexible applications	: min. 15 x cable diameter

### Remarks

Pack quantity	1 pcs.
---------------	--------

### Electrical connection

Cable: 0.76 m, PUR, Ø 5 mm, screened; Maximum cable length: 250 m; screen (connected to the housing)

Connector: 1 x M12; coding: A; Maximum cable length: 250 m



1	L+ (+9 V)
2	I out
3	GND
4	Test