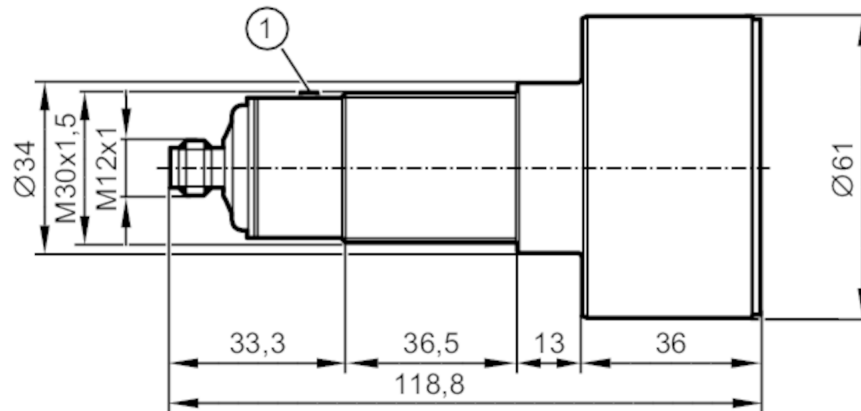


UIT506



Ultrasonic sensor

UIA08000GOKG/IO-Link/US



1 teach button



Product characteristics

Electrical design	PNP
Output function	normally open / closed; (configurable)
Sensing range [mm]	600...8000; (Target: 1000 x 1000 mm)
Communication interface	IO-Link
Housing	Threaded type
Dimensions [mm]	M30 x 1.5 / L = 118.8

Electrical data

Operating voltage [V]	10...30 DC
Current consumption [mA]	< 30
Protection class	III
Reverse polarity protection	yes
Power-on delay time [s]	< 0.3
Converter frequency [kHz]	40

Inputs / outputs

Number of inputs and outputs	Number of digital outputs: 2
------------------------------	------------------------------

Outputs

Total number of outputs	2
Electrical design	PNP
Number of digital outputs	2
Output function	normally open / closed; (configurable)
Max. voltage drop switching output DC [V]	2.2
Permanent current rating of switching output DC [mA]	100
Switching frequency DC [Hz]	1
Short-circuit protection	yes
Overload protection	yes

UIT506



Ultrasonic sensor

UIA08000GOKG/IO-Link/US

Monitoring range										
Sensing range	[mm]	600...8000; (Target: 1000 x 1000 mm)								
Blind zone	[mm]	600								
Angle of aperture cylindrical	[°]	10; (±2)								
Max. deviation from the 90° angle sensor/object	[°]	± 4								
Accuracy / deviations										
Temperature compensation		yes								
Hysteresis	[%]	< 3								
Switch-point drift	[%]	-5...5								
Repeatability		1 %								
Resolution	[mm]	3								
Notes on the accuracy / deviation		The indicated values are reached after a warm-up time of min. 20 minutes								
Software / programming										
Parameter setting options		hysteresis / window; second switch point; Switch-on and switch-off delay; switch-on operations; Teach function; light-on/dark-on mode								
Interfaces										
Communication interface		IO-Link								
Transmission type		COM2 (38,4 kBaud)								
IO-Link revision		1.1								
SDCI standard		IEC 61131-9								
Profiles		Smart Sensor: Device Identification; Multi-channel, two setpoint switching sensor, type 0 Generic Profiled Sensor; Process Data Variable; Device Diagnosis; Teach Channel								
SIO mode		yes								
Required master port class		A								
Min. process cycle time	[ms]	3.2								
IO-Link process data (cyclical)		<table border="1"> <thead> <tr> <th>Function</th> <th>bit length</th> </tr> </thead> <tbody> <tr> <td>process value</td> <td>16</td> </tr> <tr> <td>device status</td> <td>4</td> </tr> <tr> <td>binary switching information</td> <td>2</td> </tr> </tbody> </table>	Function	bit length	process value	16	device status	4	binary switching information	2
Function	bit length									
process value	16									
device status	4									
binary switching information	2									
IO-Link functions (acyclical)		application specific tag; operating hours counter								
Supported DeviceIDs		<table border="1"> <thead> <tr> <th>Type of operation</th> <th>DeviceID</th> </tr> </thead> <tbody> <tr> <td>default</td> <td>1099</td> </tr> </tbody> </table>	Type of operation	DeviceID	default	1099				
Type of operation	DeviceID									
default	1099									
Note		For further information please see the IODD PDF file at "Downloads"								
Operating conditions										
Ambient temperature	[°C]	-20...70								
Storage temperature	[°C]	-30...80								
Protection		IP 67								
Tests / approvals										
EMC	EN 61000-4-2 ESD	4 kV CD / 8 kV AD								
	EN 61000-4-3 HF radiated	3 V/m								
	EN 61000-4-4 Burst	2 kV								
	EN 61000-4-6 HF conducted	3 V								
	EN 55011	class A								

UIT506



Ultrasonic sensor

UIA08000GOKG/IO-Link/US

Vibration resistance	EN 60068-2-6 Fc	(10-55) Hz 1 mm amplitude, vibration duration 5 min., 30 min. per axis with resonance or 55 Hz
Shock resistance	EN 60068-2-27 Ea	30 g 11 ms half-sine; 3 shocks each in every direction of the 3 coordinate axes
MTTF [years]		105
UL approval	Ta	-20...70 °C
	voltage supply	Class 2
	File number UL	E174191

Mechanical data

Weight [g]	441.5
Housing	Threaded type
Dimensions [mm]	M30 x 1.5 / L = 118.8
Thread designation	M30 x 1.5
Material	stainless steel (1.4404 / 316L); PA; epoxy glass ceramics
Tightening torque [Nm]	100

Displays / operating elements

Display	Switching status	2 x LED, yellow
	echo	1 x LED, green
Teach function		yes

Accessories

Items supplied	lock nuts: 2, stainless steel
----------------	-------------------------------

Remarks

Remarks	cULus - Class 2 source required
Pack quantity	1 pcs.

Electrical connection

Connector: 1 x M12; coding: A

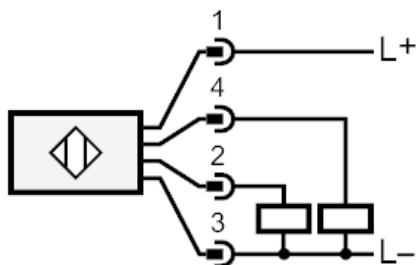




Ultrasonic sensor

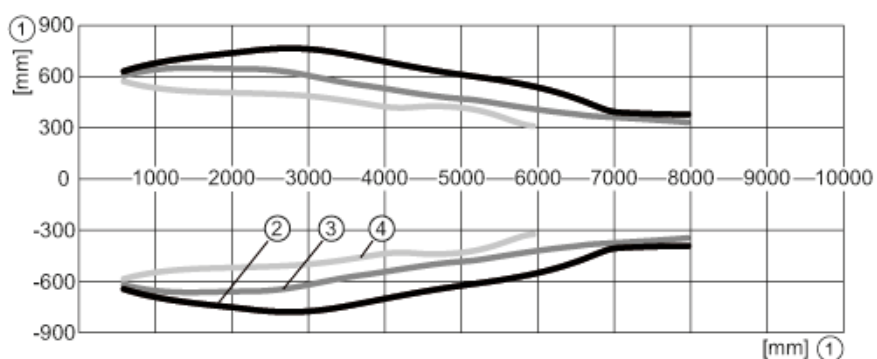
UIA08000GOKG/IO-Link/US

Connection



4 IO-Link

Diagrams and graphs



- 1 Distance
- 2 Standard sound cone
- 3 Medium sound cone
- 4 Narrow sound cone