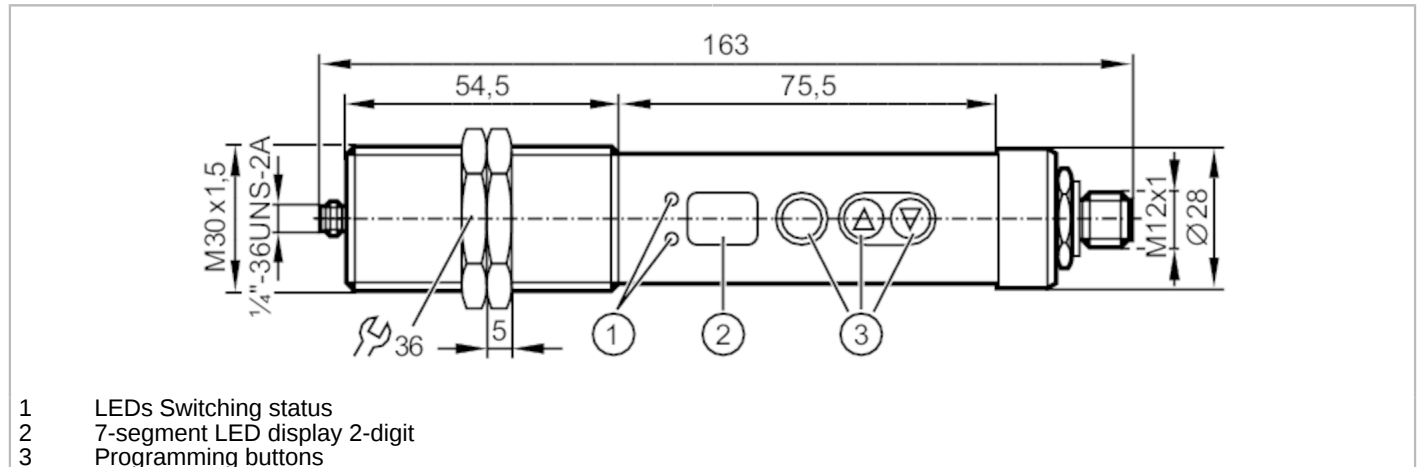


# TW7011



## Infrared temperature sensor

TW-008CODM30-QFPKG/US



Product characteristics	
Number of inputs and outputs	Number of digital outputs: 2
Measuring range	350...1350 °C 662...2462 °F
Application	
Application	tempering temperatures; graphite; ceramics; metals; forging; sintering; heat treatment; rolling
Electrical data	
Operating voltage [V]	10...34 DC
Current consumption [mA]	30; (24 V)
Protection class	III
Inputs / outputs	
Number of inputs and outputs	Number of digital outputs: 2
Inputs	
Test input	test function active at $U(\text{test}) > 9 \text{ V}$
Outputs	
Total number of outputs	2
Output signal	switching signal
Electrical design	PNP
Number of digital outputs	2
Output function	normally open / closed; (configurable)
Max. voltage drop switching output DC [V]	2.5
Permanent current rating of switching output DC [mA]	150
Short-circuit protection	yes
Type of short-circuit protection	yes (non-latching)
Overload protection	yes
Monitoring range	
Wave length range [μm]	1...1.7

# TW7011



## Infrared temperature sensor

TW-008CODM30-QFPKG/US

Measuring/setting range		
Measuring range	350...1350 °C	662...2462 °F
Factory setting	SP1 = 25 %; rP1 = 23 %; SP2 = 75 %; rP2 = 73 %	
Set point SP	350...1340 °C	662...2444 °F
Reset point rP	350...1340 °C	662...2444 °F
In steps of	10 °C	18 °F
Resolution		
Resolution of switching output	[K]	10
Resolution of display	[K]	10
Accuracy / deviations		
Accuracy	[K]	< ± 1 %; (< ± 1 % of MEW (degree of emission = 1 and T = 23 °C))
Reaction times		
Response time	[ms]	2
Software / programming		
Adjustment of the switch point	Programming buttons	
Parameter setting options	Hysteresis; normally open / closed; switch-on/switch-off delay	
Operating conditions		
Ambient temperature	[°C]	0...65
Storage temperature	[°C]	-20...80
Max. relative air humidity	[%]	95; (non condensing)
Protection		IP 65
Tests / approvals		
EMC	DIN EN 61000-4-2 ESD	4 kV CD / 8 kV AD
	DIN EN 61000-4-3 HF radiated	10 V/m
	DIN EN 61000-4-4 Burst	2 kV coupling clamp
	DIN EN 61000-4-5 Surge	0,5 / 1 kV
	DIN EN 61000-4-6 HF conducted	10 V
	EN 55011 emission	class B
Shock resistance	DIN EN 60068-2-27	30 g (11 ms)
Vibration resistance	DIN EN 60068-2-6	5 g (10...2000 Hz)
MTTF	[years]	117
Mechanical data		
Weight	[g]	374
Housing		Threaded type
Dimensions	[mm]	M30 x 1.5 / L = 163
Thread designation		M30 x 1.5
Fiber optic connection		¼"-36UNS-2A
Material		threaded sleeve: stainless steel (1.4305 / 303); polyester
Lens material		tempered optical glass
Displays / operating elements		
Display	Switching status	2 x LED, yellow
	Function display	7-segment LED display, 2-digit
	Measured values	7-segment LED display, 2-digit

# TW7011



## Infrared temperature sensor

TW-008CODM30-QFPKG/US

Operating elements	3	Pushbuttons
--------------------	---	-------------

### Accessories

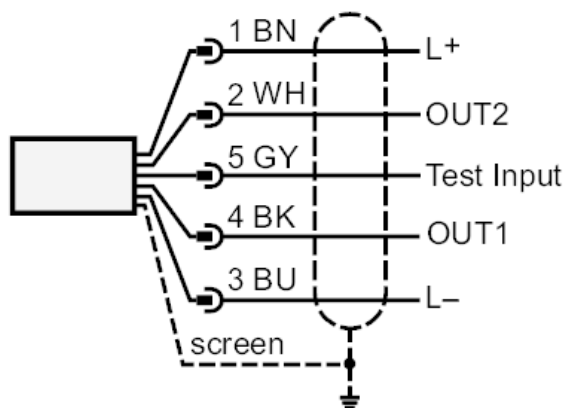
Items supplied	lock nuts: 2
Accessories (optional)	Fiber optics:, E35061 / E35062
	Measuring head:, E35060

### Remarks

Remarks	MW = Measured value
	MEW = Final value of the measuring range
Pack quantity	1 pcs.

### Electrical connection

#### Connection



Core colors :  
BK = black  
BN = brown  
BU = blue  
GY = grey  
WH = white

Connector: 1 x M12