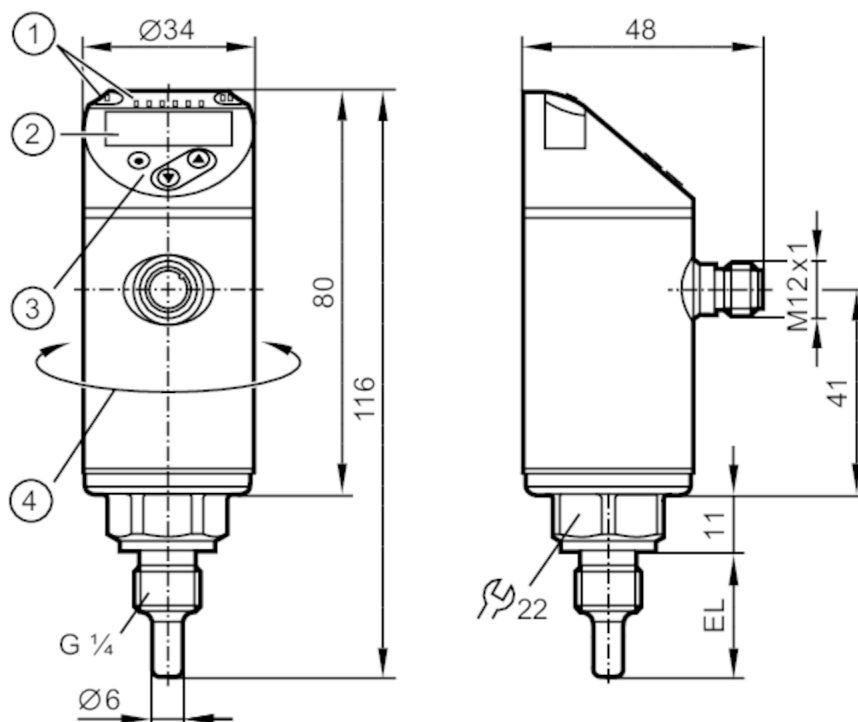


# TN2105



## Temperature sensor with display

TN-025KLBM14-MFRKG/US/



- 1 LEDs Display unit / Switching status
- 2 alphanumeric display 4-digit red/green
- 3 Programming buttons
- 4 upper part of the housing can be rotated :  $345^\circ$



### Product characteristics

Number of inputs and outputs	Number of digital outputs: 2; Number of analog outputs: 1	
Measuring range	-50...150 °C	-58...302 °F
Communication interface	IO-Link	
Process connection	threaded connection G 1/4	
Installation length EL [mm]	25	

### Application

System	gold-plated contacts
Measuring element	1 x Pt 1000; (to DIN EN 60751, class A)
Media	liquids and gases
Pressure rating [bar]	400

### Electrical data

Operating voltage [V]	18...32 DC; (cULus - Class 2 source required)
Current consumption [mA]	< 50
Protection class	III
Reverse polarity protection	yes
Power-on delay time [s]	1

# TN2105



## Temperature sensor with display

TN-025KLBM14-MFRKG/US/


Integrated watchdog	yes
<b>Inputs / outputs</b>	
Number of inputs and outputs	Number of digital outputs: 2; Number of analog outputs: 1
<b>Outputs</b>	
Total number of outputs	2
Output signal	switching signal; analog signal; IO-Link; (configurable)
Electrical design	PNP/NPN
Number of digital outputs	2
Output function	normally open / closed; (configurable)
Max. voltage drop switching output DC [V]	2.5
Permanent current rating of switching output DC [mA]	250
Number of analog outputs	1
Analog current output [mA]	4...20
Max. load [Ω]	500
Analog voltage output [V]	0...10
Min. load resistance [Ω]	2000
Short-circuit protection	yes
Type of short-circuit protection	yes (non-latching)
Overload protection	yes
<b>Measuring/setting range</b>	
Measuring range	-50...150 °C   -58...302 °F
Factory setting	-50...150 °C
Set point SP	-49.8...150 °C   -57.6...302 °F
Reset point rP	-50...149.8 °C   -58...301.6 °F
Analog start point	-50...145 °C   -58...293 °F
Analog end point	-45...150 °C   -49...302 °F
In steps of	0.1 °C   0.1 °F
<b>Resolution</b>	
Resolution of switching output [K]	0.1
Resolution of analog output [K]	current output: MS / 4096; voltage output: MS / 3561
Resolution of display [K]	0.1
<b>Accuracy / deviations</b>	
Switch point accuracy [K]	± 0,3 + (± 0,1 % MS)
Precision analog output [K]	± 0,3 + (± 0,1 % MS)
Display accuracy [K]	± 0,3 + (± 0,1 % MS)
Temperature coefficient [% of the span / 10 K]	0,1; (In case of deviation from the reference condition 25 ± 5 °C)
<b>Reaction times</b>	
Dynamic response T05 / T09 [s]	1 / 3; (according to DIN EN 60751)
<b>Software / programming</b>	
Parameter setting options	hysteresis / window; normally open / closed; switching logic; switch-on/switch-off delay; Damping; Display unit; current/voltage output

# TN2105



## Temperature sensor with display

TN-025KLBM14-MFRKG/US/

Interfaces		
Communication interface		IO-Link
Transmission type		COM2 (38,4 kBaud)
IO-Link revision		1.1
Operating conditions		
Ambient temperature	[°C]	-25...80
Storage temperature	[°C]	-40...100
Protection		IP 67
Tests / approvals		
EMC	DIN EN 61000-6-2	
	DIN EN 61000-6-3	
Shock resistance	DIN IEC 68-2-27	50 g (11 ms)
Vibration resistance	DIN EN 60068-2-6	20 g (10...2000 Hz)
MTTF	[years]	207
UL approval	UL approval number	K015
Mechanical data		
Weight	[g]	219
Material		stainless steel (1.4404 / 316L); PBT+PC-GF30; PBT-GF20; PC
Materials (wetted parts)		stainless steel (1.4404 / 316L); O-ring: FKM
Tightening torque	[Nm]	35
Process connection		threaded connection G 1/4
Installation length EL	[mm]	25
Displays / operating elements		
Display	Display unit	2 x LED, green
	Switching status	2 x LED, yellow
	Measured values	alphanumeric display, red/green 4-digit
Remarks		
Remarks		MS = set measuring span The values for accuracy apply to flowing water.
Pack quantity		1 pcs.
Electrical connection		
Connector: 1 x M12; coding: A; Contacts: gold-plated		
		

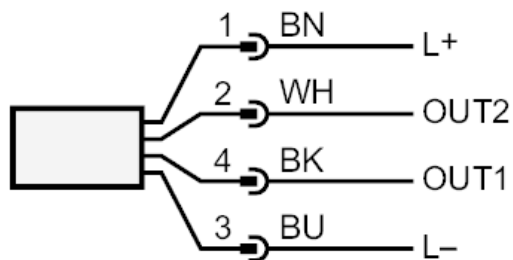
# TN2105



## Temperature sensor with display

TN-025KLBM14-MFRKG/US/

### Connection



OUT1: Switching output / IO-Link  
OUT2: Switching output / analog output

Colors to DIN EN 60947-5-2

Core colors :

BK = black  
BN = brown  
BU = blue  
WH = white