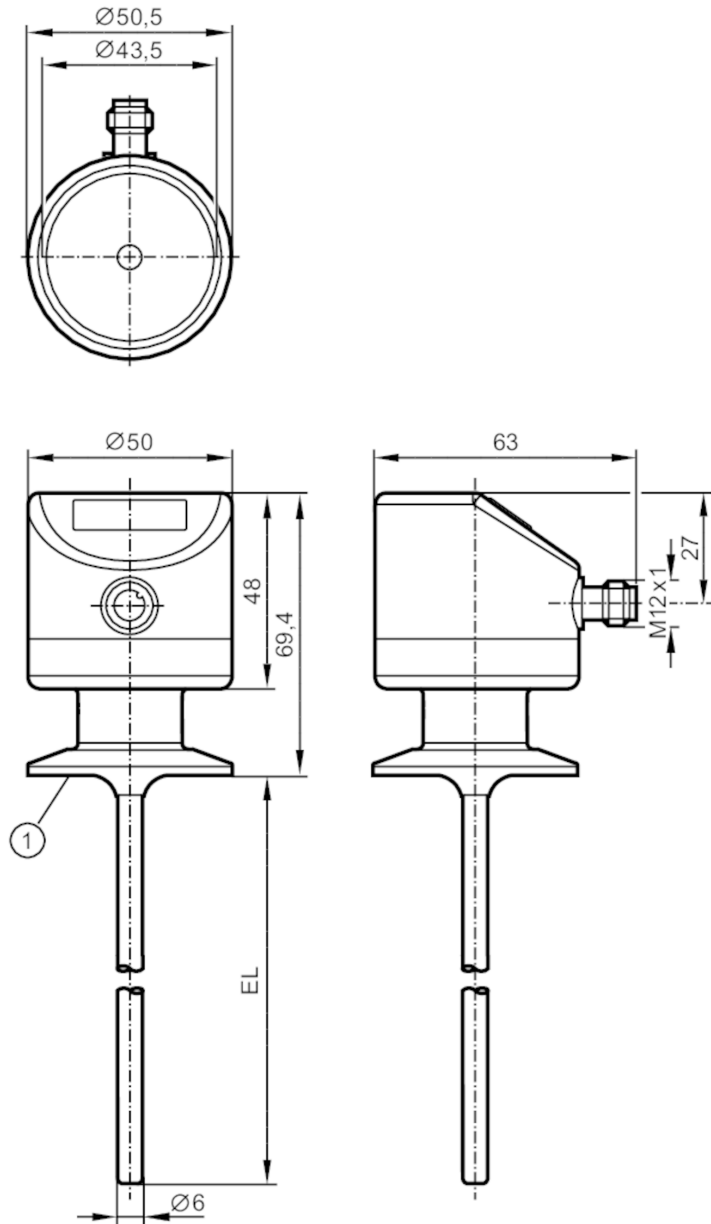


TD2837



Temperature Transmitter with Display

TD-100CFEC01-A-ZVG/US



1 1.5" Clamp ISO 2852
EL = Installation length



Product characteristics

Number of inputs and outputs	Number of analog outputs: 1	
Measuring range	-50...150 °C	-58...302 °F
Communication interface	IO-Link	
Process connection	Clamp DN25...DN40 (1...1,5") DIN 32676 (ISO 2852)	
Installation length EL [mm]	100	

Application

Measuring element	1 x Pt 1000; (to DIN EN 60751, class A)
Media	liquids and gases

TD2837



Temperature Transmitter with Display

TD-100CFEC01-A-ZVG/US

Pressure rating	[bar]	100
Vacuum resistance	[mbar]	-1000
MAWP (for applications according to CRN)	[bar]	60

Electrical data

Operating voltage	[V]	18...32 DC; (cULus - Class 2 source required)
Current consumption	[mA]	< 50
Protection class		III
Reverse polarity protection		yes
Power-on delay time	[s]	2

Inputs / outputs

Number of inputs and outputs	Number of analog outputs: 1
------------------------------	-----------------------------

Outputs

Total number of outputs	1	
Output signal	analog signal; IO-Link; (configurable)	
Number of analog outputs	1	
Analog current output	[mA]	4...20
Max. load	[Ω]	300
Short-circuit protection		yes
Overload protection		yes

Measuring/setting range

Measuring range	-50...150 °C	-58...302 °F
Factory setting	0...100 °C	

Resolution

Resolution of analog output	[K]	0.04
Resolution of display	[K]	0.1

Accuracy / deviations

Precision analog output	[K]	$\pm 0,3 + (\pm 0,1 \% MS)$
Temperature coefficient [% of the span / 10 K]		0,1; (In case of deviation from the reference condition 25 °C)

Reaction times

Dynamic response T05 / T09	[s]	1 / 3
----------------------------	-----	-------

Interfaces

Communication interface	IO-Link
Transmission type	COM2 (38,4 kBaud)
IO-Link revision	1.1

Operating conditions

Ambient temperature	[°C]	-25...80
Storage temperature	[°C]	-40...100
Protection		IP 67; IP 68; IP 69K

Tests / approvals

EMC	DIN EN 61000-6-2
	DIN EN 61000-6-3

TD2837



Temperature Transmitter with Display

TD-100CFEC01-A-ZVG/US

Shock resistance	DIN IEC 68-2-27	50 g (11 ms)
Vibration resistance	DIN IEC 68-2-6	10 g (10...2000 Hz)
MTTF [years]		405
Note on approval	Factory certificate available as download at www.factory-certificate.ifm	
UL approval	UL approval number	K001

Mechanical data

Weight [g]		339.5
Material		stainless steel (1.4404 / 316L); PEI; FKM
Materials (wetted parts)		stainless steel (1.4404 / 316L) electropolished
Process connection		Clamp DN25...DN40 (1...1,5") DIN 32676 (ISO 2852)
Surface characteristics Ra/Rz of the wetted parts		Ra: < 0.8
Probe diameter [mm]		6
Installation length EL [mm]		100

Displays / operating elements

Display		7-segment LED display, 4-digit Display unit / status, °C / °F
---------	--	------------------------------------------------------------------

Remarks

Remarks		MS = set measuring span The values for accuracy apply to flowing water.
Pack quantity		1 pcs.

Electrical connection

Connector: 1 x M12; coding: A



Connection

