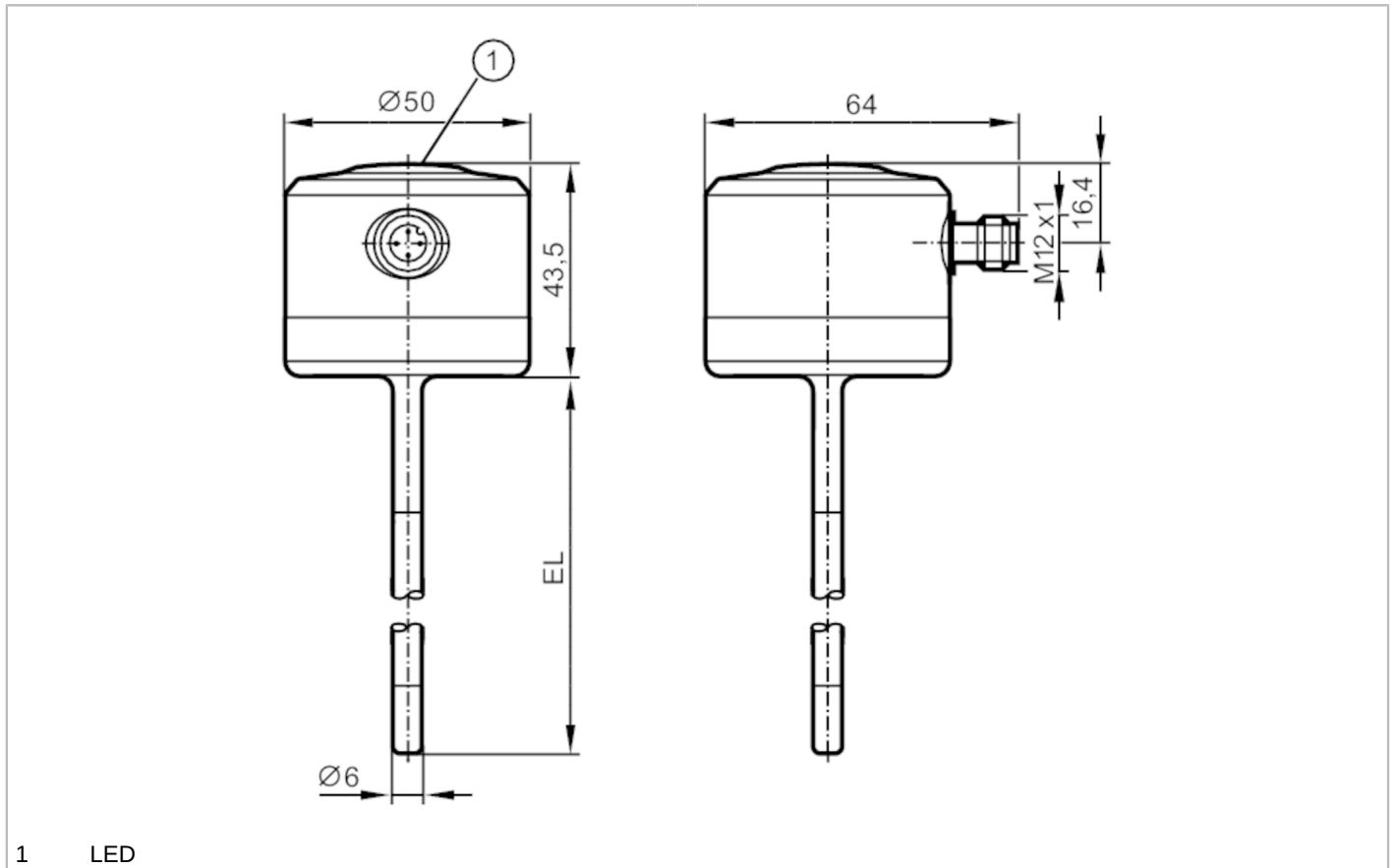


# TCC261



## Temperature transmitter

TCC250K1ED06-A-DKG/US



1 LED



### Product characteristics

Number of inputs and outputs	Number of digital outputs: 1; Number of analog outputs: 1	
Measuring range	-25...160 °C	-13...320 °F
Communication interface	IO-Link	
Process connection	Ø 6 mm	
Installation length EL [mm]	250	

### Application

System	gold-plated contacts
Measuring element	1 x Pt 1000
Reference element	1 x NTC
Media	liquids and gases
Pressure rating [bar]	160

### Electrical data

Operating voltage [V]	18...32 DC; (cULus - Class 2 source required)
Current consumption [mA]	10; (24 V)
Protection class	III
Reverse polarity protection	yes
Power-on delay time [s]	6
Integrated watchdog	yes

# TCC261



## Temperature transmitter

TCC250K1ED06-A-DKG/US

Inputs / outputs	
Number of inputs and outputs	Number of digital outputs: 1; Number of analog outputs: 1
Outputs	
Total number of outputs	2
Output signal	analog signal; IO-Link; calibration check status
Electrical design	PNP/NPN
Number of digital outputs	1
Output function	normally closed; (diagnostic signal)
Max. voltage drop switching output DC [V]	2
Permanent current rating of switching output DC [mA]	100
Diagnostic output	calibration check status and error diagnostics
Number of analog outputs	1
Analog current output [mA]	4...20
Max. load [Ω]	$(U_b - 15 \text{ V}) \times 50$
Short-circuit protection	yes
Type of short-circuit protection	yes (non-latching)
Overload protection	yes
Measuring/setting range	
Measuring range	-25...160 °C      -13...320 °F
Note on measuring range	scalable
Factory setting	-10...150 °C / 14...302 °F
Calibration check limit [K]	0.5...3
In steps of [K]	0.05
Resolution	
Resolution of analog output [K]	0.05
Accuracy / deviations	
Precision analog output [K]	± 0,2
Precision IO-Link [K]	± 0,2
Temperature coefficient analog output [% of the span / 10 K]	< ± 0,02; (In case of deviation from the reference condition 25 ± 5 °C)
Temperature coefficient IO-Link [% of the span / 10 K]	< ± 0,01; (In case of deviation from the reference condition 25 ± 5 °C)
Reaction times	
Dynamic response T05 / T09 [s]	1,5 / 4
Software / programming	
Parameter setting options	Display unit; scaling of the analog output; calibration check limit; switching logic diagnostic output; simulation mode
Interfaces	
Communication interface	IO-Link
Transmission type	COM2 (38,4 kBaud)

# TCC261



## Temperature transmitter

TCC250K1ED06-A-DKG/US

IO-Link revision	1.1	
SDCI standard	IEC 61131-9 CDV	
Profiles	Digital Measuring Sensor, Common Profile, Blob Transfer	
SIO mode	yes	
Required master port class	A	
Process data analog	1	
Process data binary	1	
Min. process cycle time [ms]	4.4	
IO-Link resolution temperature [K]	0.01	
Supported DeviceIDs	<b>Type of operation</b> default	<b>DeviceID</b> 1129

Operating conditions	
Ambient temperature [°C]	-25...70
Note on ambient temperature	max. internal device temperature: 125 °C
Storage temperature [°C]	-40...100
Protection	IP 68; IP 69K

Tests / approvals	
EMC	DIN EN 61000-6-2 DIN EN 61000-6-3
Shock resistance	DIN EN 68000-2-27 50 g (11 ms)
Vibration resistance	DIN EN 60068-2-6 35 g (10...2000 Hz)
MTTF [years]	329
Note on approval	Factory certificate available as download at <a href="http://www.factory-certificate.ifm">www.factory-certificate.ifm</a>
UL approval	UL approval number K021 File number UL E217884

Mechanical data	
Weight [g]	271.9
Dimensions [mm]	Ø 50 / L = 293.5
Material	stainless steel (1.4404 / 316L); PEI; FKM; PFA
Materials (wetted parts)	stainless steel (1.4404 / 316L); PEEK
Process connection	Ø 6 mm
Surface characteristics Ra/Rz of the wetted parts	Ra: < 0.8
Probe diameter [mm]	6
Installation length EL [mm]	250

Remarks	
Remarks	MS = set measuring span cULus - Class 2 source required
Pack quantity	1 pcs.

# TCC261



## Temperature transmitter

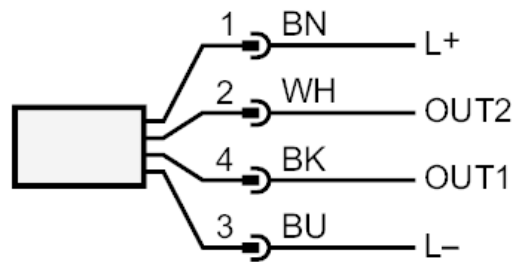
TCC250K1ED06-A-DKG/US

### Electrical connection

Connector: 1 x M12; coding: A; Contacts: gold-plated



### Connection



OUT2: analog output  
OUT1: Diagnostic output / IO-Link