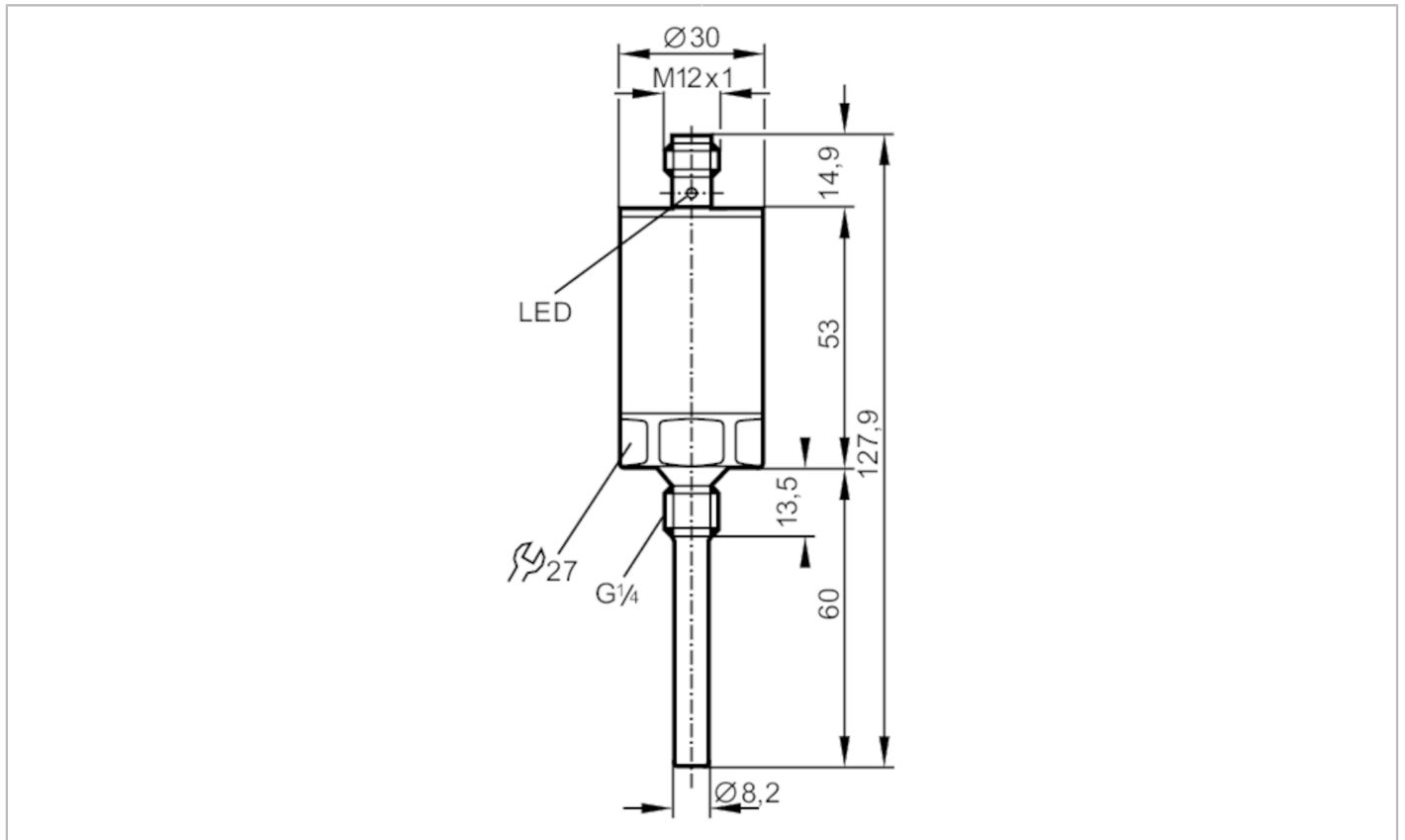


# TAA131



## Temperature transmitter

TAA060CCDR14-ASIVG/US



Product characteristics	
Number of inputs and outputs	Number of analog outputs: 1
Measuring range	-10...150 °C   14...302 °F
Process connection	threaded connection G 1/4 external thread
Installation length EL [mm]	60
Application	
System	gold-plated contacts
Measuring element	1 x Pt 1000; (to DIN EN 60751, class A)
Media	liquids and gases
Medium temperature	< 150; (< 40 min) °C   < 302; (< 40 min) °F
Pressure rating [bar]	400
Minimum installation depth [mm]	15
Electrical data	
Operating voltage [V]	18...31.6 DC
Current consumption [mA]	< 25
Protection class	III
Reverse polarity protection	yes
Inputs / outputs	
Number of inputs and outputs	Number of analog outputs: 1
Outputs	
Total number of outputs	1

# TAA131



## Temperature transmitter

TAA060CCDR14-ASIVG/US

Output signal	analog signal	
Electrical design	AS-i	
Number of analog outputs	1	
Overload protection	yes	
<b>Measuring/setting range</b>		
Probe length L [mm]	60	
Measuring range	-10...150 °C	14...302 °F
<b>Resolution</b>		
Resolution of analog output [K]	0.05	
<b>Accuracy / deviations</b>		
Precision analog output [K]	$\pm 0,1$ (60°C / 140°F) / $\pm 0,3$ (0...140°C / 32...284°F)	
Temperature coefficient [% of the span / 10 K]	$< \pm 0,1$ ; (In case of deviation from the reference condition $25 \pm 5$ °C)	
<b>Reaction times</b>		
Dynamic response T05 / T09 [s]	1 / 3; (according to DIN EN 60751)	
<b>Operating conditions</b>		
Ambient temperature [°C]	-25...70	
Storage temperature [°C]	-40...100	
Protection	IP 68; IP 69K	
<b>Tests / approvals</b>		
EMC	DIN EN 61000-4-2 ESD	4 kV CD / 8 kV AD
	EN 61000-4-3 HF radiated	10 V/m
	DIN EN 61000-4-4 Burst	2 kV
	DIN EN 61000-4-5 Surge	0,5/1 kV
	EN 61000-4-6 HF conducted	10 V
Shock resistance	DIN IEC 68-2-27	50 g (11 ms)
Vibration resistance	DIN EN 60068-2-6	20 g (10...2000 Hz)
MTTF [years]	348	
<b>AS-i classification</b>		
AS-i version	2.11	
AS-i I/O configuration [hex]	7	
AS-i ID code [hex]	3.C	
<b>Mechanical data</b>		
Weight [g]	169.5	
Dimensions [mm]	Ø 30 / L = 127.9	
Material	stainless steel (1.4404 / 316L); stainless steel (1.4301 / 304); stainless steel (1.4305 / 303); PA	
Materials (wetted parts)	stainless steel (1.4404 / 316L)	
Process connection	threaded connection G 1/4 external thread	
Installation length EL [mm]	60	
<b>Displays / operating elements</b>		
Display	Power	1 x LED, green
	error	1 x LED, red

# TAA131



## Temperature transmitter

TAA060CCDR14-ASIVG/US

### Remarks

Remarks	The values for accuracy apply to flowing water.
	referring to UL: for use on a low voltage circuit with overcurrent protection
	in accordance with UL873 tab. 28.1 or $I_{max} = 100/U_b$ ( $U_b$ = voltage of the circuit)
Pack quantity	1 pcs.

### Electrical connection

Connector: 1 x M12; coding: A; Contacts: gold-plated



### Connection

