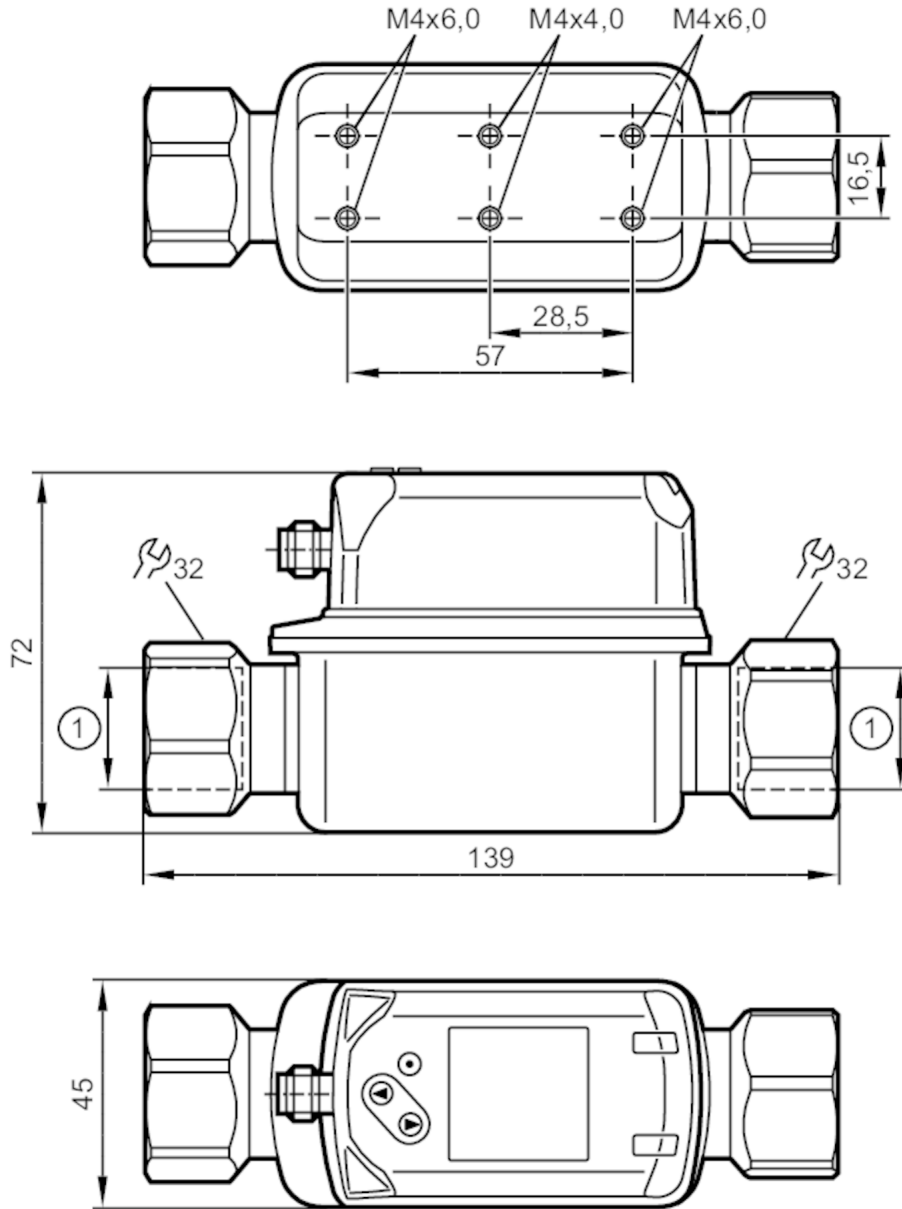


SV7614



SV vortex flowmeters with display for water based media

SVN34XXX50KG/US-100



1 3/4" NPT
DN 20



Product characteristics

Number of inputs and outputs	Number of analog outputs: 2	
Measuring range	80...1585 gph	1.3...26.4 gpm
Process connection	threaded connection 3/4" NPT DN20	

Application

System	gold-plated contacts
Application	for industrial applications
Media	water; glycol solutions; Coolants
Medium temperature [°F]	14...194

SV7614



SV vortex flowmeters with display for water based media

SVN34XXX50KG/US-100

Pressure rating	[bar]	12
Pressure rating	[psi]	174
Note on pressure rating		up to 40 °C
MAWP (for applications according to CRN)	[bar]	4.3

Electrical data

Operating voltage	[V]	18...30 DC
Current consumption	[mA]	< 30
Min. insulation resistance	[MΩ]	100; (500 V DC)
Protection class		III
Reverse polarity protection		yes
Power-on delay time	[s]	< 3

Inputs / outputs

Number of inputs and outputs	Number of analog outputs: 2
------------------------------	-----------------------------

Outputs

Total number of outputs	2
Output signal	analog signal
Number of analog outputs	2
Analog current output	[mA] 4...20
Max. load	[Ω] 500
Short-circuit protection	yes
Overload protection	yes

Measuring/setting range

Measuring range	80...1585 gph	1.3...26.4 gpm
Display range	0...1900 gph	0...31.7 gpm
Resolution	5 gph	0.1 gpm
Analog start point ASP	0...1270 gph	0...21.1 gpm
Analog end point AEP	315...1585 gph	5.3...26.4 gpm
In steps of	5 gph	0.1 gpm
Measuring dynamics		1:20

Temperature monitoring

Measuring range	[°F]	14...194
Display range	[°F]	-22...230
Resolution	[°F]	1
Analog start point	[°F]	14...158
Analog end point	[°F]	50...194
In steps of	[°F]	1

Accuracy / deviations

Flow monitoring		
Accuracy (in the measuring range)		± 2 % MEW; (water)
Repeatability		± 0,5 % MEW
Temperature monitoring		
Accuracy	[K]	± 1

SV7614



SV vortex flowmeters with display for water based media

SVN34XXX50KG/US-100

Reaction times		
Flow monitoring		
Response time	[s]	1; (dAP = 0)
Damping process value dAP	[s]	0...5
Temperature monitoring		
Dynamic response T05 / T09	[s]	T09 = 6
Software / programming		
Parameter setting options		Damping for the analog output dAA; Display unit
Operating conditions		
Ambient temperature	[°F]	32...140
Note on ambient temperature		medium temperature < 176 °F medium temperature < 194 °F: 32...122 °F
Storage temperature	[°F]	-4...176
Protection		IP 65; IP 67
Tests / approvals		
EMC		DIN EN 61000-6-2 DIN EN 61000-6-3
Shock resistance		DIN EN 60068-2-27 5 g (11 ms)
Vibration resistance		DIN EN 60068-2-6 with water / 10...50 Hz 1 mm with water / 50...2000 Hz 2 g
MTTF	[years]	342
UL approval		UL approval number I002
Pressure equipment directive		sound engineering practice; can be used for group 2 fluids; group 1 fluids on request
Mechanical data		
Weight	[g]	514.5
Material		stainless steel (1.4404 / 316L); PC; PBT+PC-GF30; PPS; TPE-U
Materials (wetted parts)		stainless steel (1.4404 / 316L); ETFE; PA 6T; PPS; FKM
Tightening torque	[Nm]	30
Process connection		threaded connection 3/4" NPT DN20
Remarks		
Remarks		MW = Measured value MEW = Final value of the measuring range
Pack quantity		1 pcs.
Electrical connection		

Connector: 1 x M12; coding: A; Contacts: gold-plated



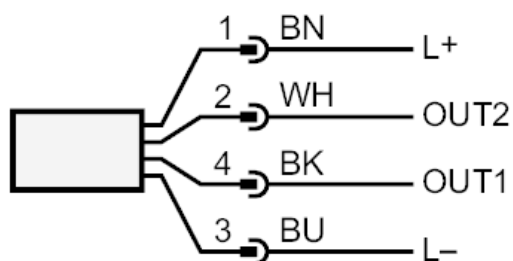
SV7614



SV vortex flowmeters with display for water based media

SVN34XXX50KG/US-100

Connection



OUT1: analog output Temperature monitoring
OUT2: analog output Volumetric flow quantity monitoring

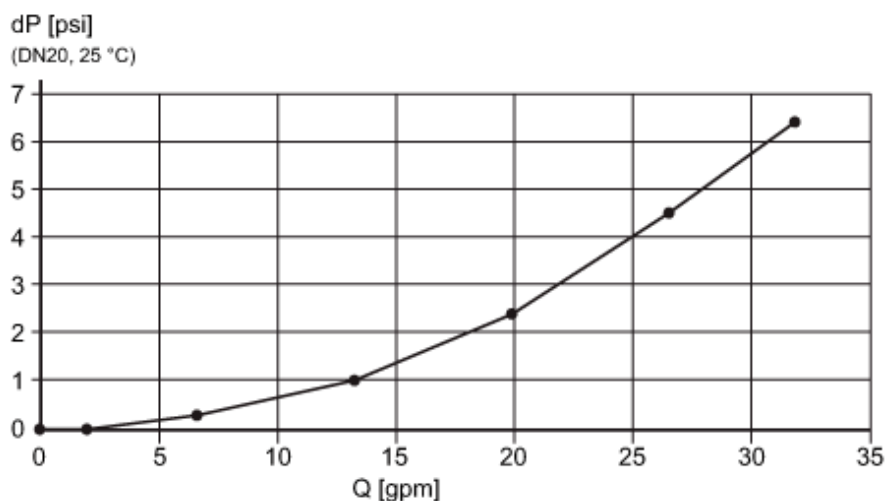
Colors to DIN EN 60947-5-2

Core colors :

BK = black
BN = brown
BU = blue
WH = white

Diagrams and graphs

Pressure loss



dP Pressure loss

Q volumetric flow quantity

SV7614



SV vortex flowmeters with display for water based media

SVN34XXX50KG/US-100
pressure rating (bar)

