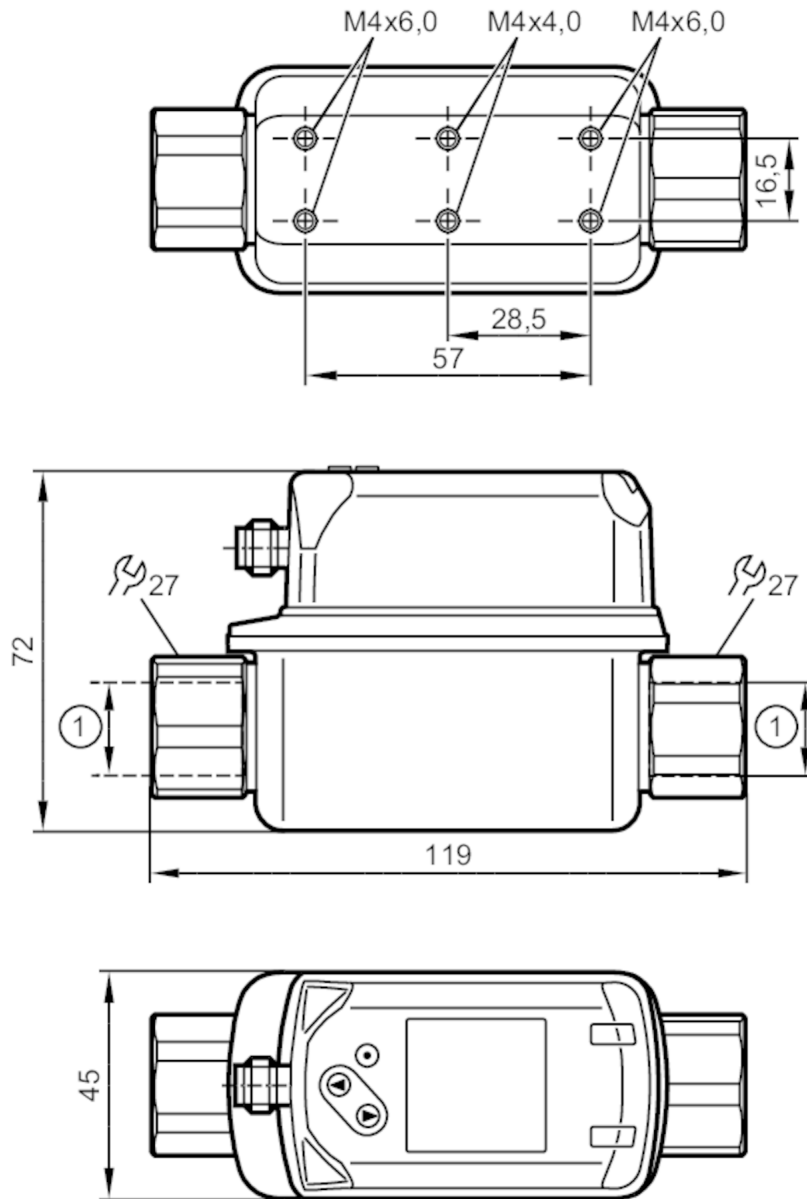


SV5614



SV vortex flowmeters with display for water based media

SVN12XXX50KG/US-100



1 1/2" NPT
DN 10



Product characteristics

Number of inputs and outputs	Number of analog outputs: 2	
Measuring range	32...634 gph	0.55...10.55 gpm
Process connection	threaded connection 1/2" NPT DN10	

Application

System	gold-plated contacts
Application	for industrial applications
Media	water; glycol solutions; Coolants
Medium temperature [°F]	14...194

SV5614



SV vortex flowmeters with display for water based media

SVN12XXX50KG/US-100

Pressure rating	[bar]	12
Pressure rating	[psi]	174
Note on pressure rating		up to 40 °C
MAWP (for applications according to CRN)	[bar]	4.8

Electrical data

Operating voltage	[V]	18...30 DC
Current consumption	[mA]	< 30
Min. insulation resistance	[MΩ]	100; (500 V DC)
Protection class		III
Reverse polarity protection		yes
Power-on delay time	[s]	< 3

Inputs / outputs

Number of inputs and outputs	Number of analog outputs: 2
------------------------------	-----------------------------

Outputs

Total number of outputs	2
Output signal	analog signal
Number of analog outputs	2
Analog current output	[mA] 4...20
Max. load	[Ω] 500
Short-circuit protection	yes
Overload protection	yes

Measuring/setting range

Measuring range	32...634 gph	0.55...10.55 gpm
Display range	0...760 gph	0...12.7 gpm
Resolution	2 gph	0.05 gpm
Analog start point ASP	0...508 gph	0...8.45 gpm
Analog end point AEP	126...634 gph	2.1...10.55 gpm
In steps of	2 gph	0.05 gpm
Measuring dynamics		1:20

Temperature monitoring

Measuring range	[°F]	14...194
Display range	[°F]	-22...230
Resolution	[°F]	1
Analog start point	[°F]	14...158
Analog end point	[°F]	50...194
In steps of	[°F]	1

Accuracy / deviations

Flow monitoring		
Accuracy (in the measuring range)		± 2 % MEW; (water)
Repeatability		± 0,5 % MEW
Temperature monitoring		
Accuracy	[K]	± 1

SV5614



SV vortex flowmeters with display for water based media

SVN12XXX50KG/US-100

Reaction times	
Flow monitoring	
Response time [s]	1; (dAP = 0)
Damping process value dAP [s]	0...5
Temperature monitoring	
Dynamic response T05 / T09 [s]	T09 = 6
Software / programming	
Parameter setting options	Damping for the analog output dAA; Display unit
Operating conditions	
Ambient temperature [°F]	32...140
Note on ambient temperature	medium temperature < 176 °F medium temperature < 194 °F: 32...122 °F
Storage temperature [°F]	-4...176
Protection	IP 65; IP 67
Tests / approvals	
EMC	DIN EN 61000-6-2 DIN EN 61000-6-3
Shock resistance	DIN EN 60068-2-27 5 g (11 ms)
Vibration resistance	DIN EN 60068-2-6 with water / 10...50 Hz 1 mm with water / 50...2000 Hz 2 g
MTTF [years]	342
UL approval	UL approval number I002
Pressure equipment directive	sound engineering practice; can be used for group 2 fluids; group 1 fluids on request
Mechanical data	
Weight [g]	466
Material	stainless steel (1.4404 / 316L); PC; PBT+PC-GF30; PPS; TPE-U
Materials (wetted parts)	stainless steel (1.4404 / 316L); ETFE; PA 6T; PPS; FKM
Tightening torque [Nm]	30
Process connection	threaded connection 1/2" NPT DN10
Remarks	
Remarks	MW = Measured value MEW = Final value of the measuring range
Pack quantity	1 pcs.
Electrical connection	

Connector: 1 x M12; coding: A; Contacts: gold-plated



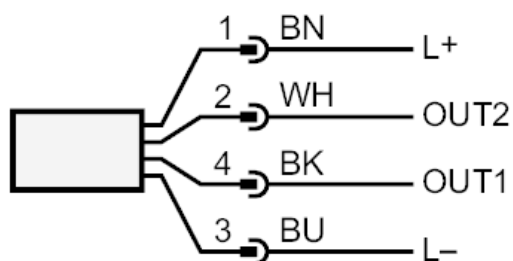
SV5614



SV vortex flowmeters with display for water based media

SVN12XXX50KG/US-100

Connection



OUT1: analog output Temperature monitoring
OUT2: analog output Volumetric flow quantity monitoring

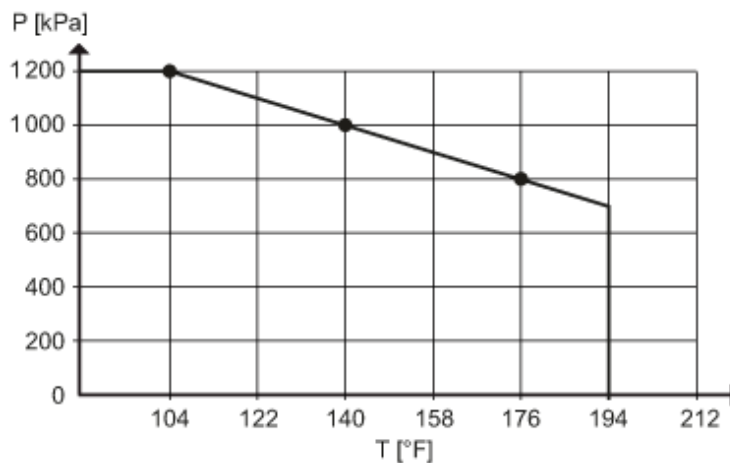
Colors to DIN EN 60947-5-2

Core colors :

BK = black
BN = brown
BU = blue
WH = white

Diagrams and graphs

pressure rating (bar)



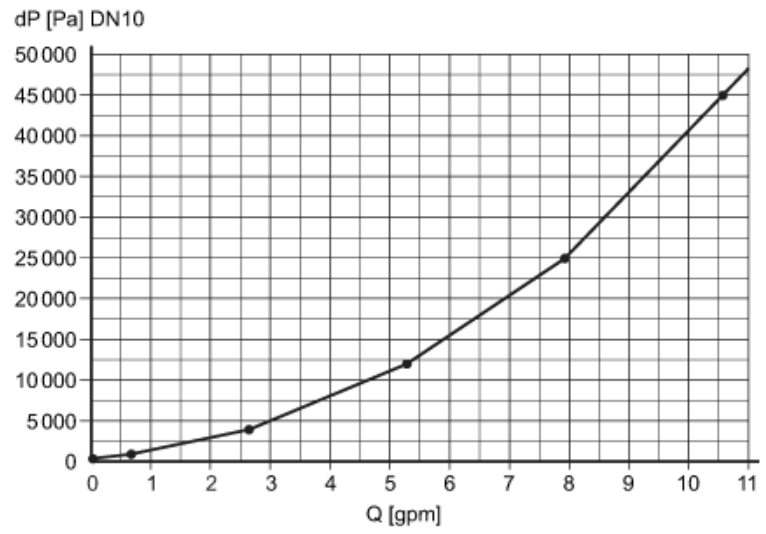
SV5614



SV vortex flowmeters with display for water based media

SVN12XXX50KG/US-100

Pressure loss



dP Pressure loss

Q volumetric flow quantity