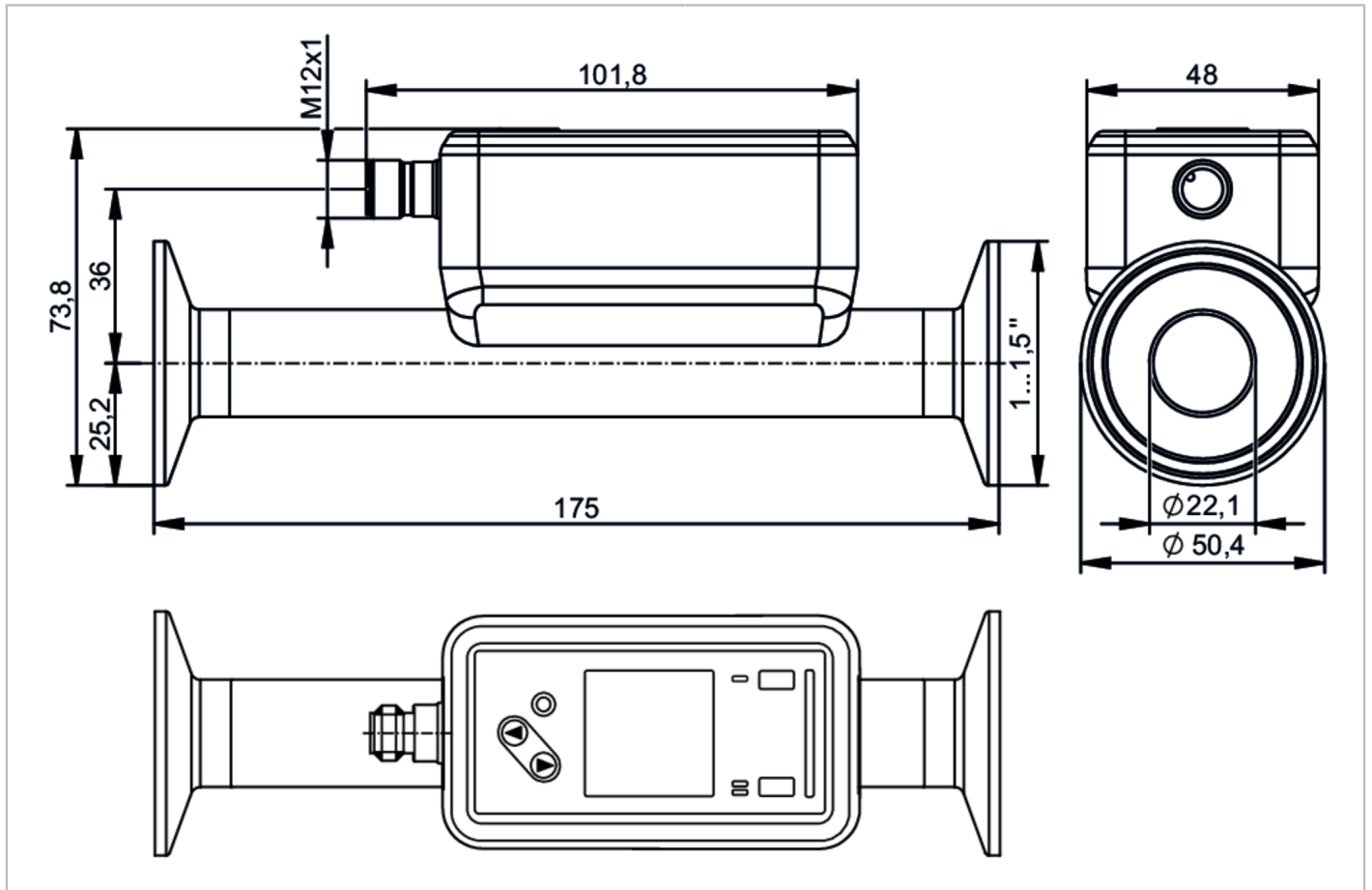


# SUH200



## Ultrasonic flow meter

SUC251JBFRKG/US



Product characteristics	
Measuring range	1...240 l/min      60...14400 l/h      0.051...12.202 m/s      0.06...14.4 m³/h
Process connection	Clamp 1" DIN 32676 series C
Application	
System	gold-plated contacts
Media	ultra-pure water; water; water-based media
Note on media	water-based media: for media with >10 % additives, the repeatability is the only available value
Medium temperature [°C]	-20...100
Min. bursting pressure	75 bar      7.5 MPa
Pressure rating	25 bar      2.5 MPa
Vacuum resistance [mbar]	-1000
Electrical data	
Operating voltage [V]	18...32 DC; (to SELV/PELV)
Current consumption [mA]	< 75
Protection class	III
Reverse polarity protection	yes
Power-on delay time [s]	5
Measuring principle	ultrasonic

# SUH200



## Ultrasonic flow meter

SUC251JBFRKG/US

Inputs / outputs				
Total number of inputs and outputs	2			
Inputs				
Inputs	OUT2	counter reset		
Outputs				
Total number of outputs	2			
Output signal	OUT1	switching signal; pulse signal; diagnostic signal; totalizer switching signal; frequency signal; IO-Link		
	OUT2	switching signal; pulse signal; diagnostic signal; totalizer switching signal; analog signal		
Electrical design	PNP/NPN			
Short-circuit protection	yes			
Type of short-circuit protection	yes (non-latching)			
Overload protection	yes			
Analog				
Number of analog outputs	1			
Analog current output [mA]	4...20			
Max. load [Ω]	500			
Digital				
Number of digital outputs	2			
Output function	normally open / closed; (configurable)			
Max. voltage drop switching output DC [V]	2			
Permanent current rating of switching output DC [mA]	100			
Switching frequency DC [Hz]	0...10000			
Measuring/setting range				
Measuring range	1...240 l/min	60...14400 l/h	0.051...12.202 m/s	0.06...14.4 m³/h
Display range	-288...288 l/min	-17280...17280 l/h	-14.642...14.642 m/s	-17.28...17.28 m³/h
Resolution	0.1 l/min	1 l/h	0.001 m/s	0.002 m³/h
Set point SP	2.3...240 l/min	139...1440 l/h	0.118...12.202 m/s	0.139...14.4 m³/h
Reset point rP	1.1...238.8 l/min	64...14325 l/h	0.055...12.139 m/s	0.064...14.325 m³/h
Analog start point ASP	-240...192 l/min	-14400...11522 l/h	-12.202...9.763 m/s	-14.4...11.522 m³/h
Analog end point AEP	-192...240 l/min	-11522...14400 l/h	-9.763...12.202 m/s	-11.522...14.4 m³/h
Low flow cut-off LFC	1...12 l/min	60...720 l/h	0.051...0.61 m/s	0.06...0.72 m³/h
Frequency end point, FEP	48.1...240 l/min	2889...14400 l/h	2.448...12.202 m/s	2.89...14.4 m³/h
Frequency at the end point FRP [Hz]	1...10000			
Volumetric flow quantity monitoring				
Pulse length [s]	0.002...2			
Pulse value	0.1...99990000 l			
Temperature monitoring				
Measuring range [°C]	-20...100			

# SUH200



## Ultrasonic flow meter

SUC251JBFRKG/US

Display range	[°C]	-44...124
Resolution	[°C]	0.1
Set point SP	[°C]	-19.6...100
Reset point rP	[°C]	-20...99.6
Analog start point	[°C]	-20...76
Analog end point	[°C]	4...100
Frequency start point, FSP	[°C]	-20...76
Frequency end point, FEP	[°C]	4...100
Frequency at the end point FRP	[Hz]	1...10000

### Accuracy / deviations

#### Flow monitoring

Accuracy (in the measuring range)	$\pm (1,0 \% MW + 0,5 \% MEW)$
Repeatability	$\pm 0,2 \% MEW$

#### Temperature monitoring

Accuracy	[K]	$\pm 2,5 (Q > 5 \% MEW)$
Temperature coefficient [% of the span / 10 K]		0,2

### Reaction times

#### Flow monitoring

Response time	[s]	$< 0.25; (dAP = 0, T09)$
Damping process value dAP	[s]	0...5

#### Temperature monitoring

Dynamic response T05 / T09	[s]	5,7 / 86
----------------------------	-----	----------

### Software / programming

Diagnostic functions	direction of flow detection; signal quality
----------------------	---

### Interfaces

Communication interface	IO-Link						
Transmission type	COM2 (38,4 kBaud)						
IO-Link revision	1.1.3						
SDCI standard	IEC 61131-9: 2013-07						
Profiles	<table><thead><tr><th>Function class</th><th>Description</th></tr></thead><tbody><tr><td>0x0030</td><td>BLOB transfer</td></tr><tr><td>0x4000</td><td>Identification and Diagnosis</td></tr></tbody></table>	Function class	Description	0x0030	BLOB transfer	0x4000	Identification and Diagnosis
Function class	Description						
0x0030	BLOB transfer						
0x4000	Identification and Diagnosis						
Required master port class	A						
Process data analog	3						
Process data binary	2						
Min. process cycle time	[ms] 9.6						

# SUH200



## Ultrasonic flow meter

SUC251JBFRKG/US

IO-Link process data (cyclical)	Function	bit length
	totalizer	32
	Flow monitoring	32
	Temperature monitoring	32
	status	4
	Output 1	1
	Output 2	1
Supported DeviceIDs	Type of operation	DeviceID
	default	1750

Operating conditions		
Ambient temperature	[°C]	-20...60
Storage temperature	[°C]	-25...80
Protection		IP 69K

Tests / approvals		
EMC	DIN 61326-1:2021	
Shock resistance	DIN IEC 68-2-27	20 g (11ms)
Vibration resistance	DIN IEC 68-2-6	5 g (10...2000Hz)
MTTF	[years]	160
UL approval	UL approval number	I034
Pressure equipment directive	can be used for group 2 fluids; group 1 fluids on request	

Mechanical data		
Weight	[g]	637.1
Inlet pipe length		5 x DN
Outlet pipe length		1 x DN
Material	housing: stainless steel (1.4404 / 316L); Display: PFA; sealing Display: FKM; connector: POKAN	
Materials (wetted parts)	Pipe section: stainless steel (1.4404 / 316L)	
Nominal diameter		DN25 (1")
Process connection		Clamp 1" DIN 32676 series C
Process connection suitable for pipe standard		1" / Ø 25,4 mm x 1,65 mm (DIN 11866 series C; ASME BPE)
Surface characteristics Ra/Rz of the wetted parts		≤ 0.8 µm

Displays / operating elements		
Display		Color display 1,44", 128 x 128 pixels
	Switching function	2 x LED, yellow
	diagnosis	1 x LED, three-color

Remarks		
Remarks		MW = Measured value
		MEW = Final value of the measuring range
		pulse and totalizer signal are only available for one of the two outputs
		the accuracy indications are adhered to over the entire application area
Pack quantity		1 pcs.

# SUH200



## Ultrasonic flow meter

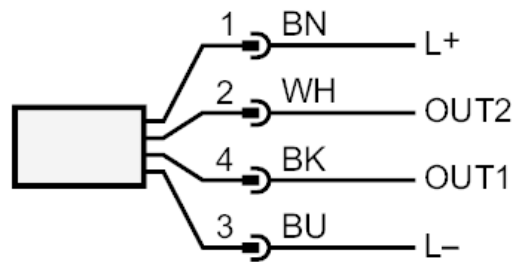
SUC251JBFRKG/US

### Electrical connection

Connector: 1 x M12; coding: A; Contacts: gold-plated



### Connection



OUT1/IO-Link: Switching output Volumetric flow quantity monitoring  
Switching output Temperature monitoring  
Pulse output quantity meter  
Frequency output Volumetric flow quantity monitoring  
Frequency output Temperature monitoring  
Diagnostic output direction of flow detection  
Diagnostic output signal quality  
signal output Preset counter

OUT2/InD: Switching output Volumetric flow quantity monitoring  
Switching output Temperature monitoring  
Pulse output quantity meter  
analog output flow  
analog output temperature  
Diagnostic output direction of flow detection  
Diagnostic output signal quality  
signal output Preset counter  
Input counter reset

Colors to DIN EN  
60947-5-2

Core colors      BK= black  
                      BN= brown  
                      BU= blue  
                      WH= white

# SUH200

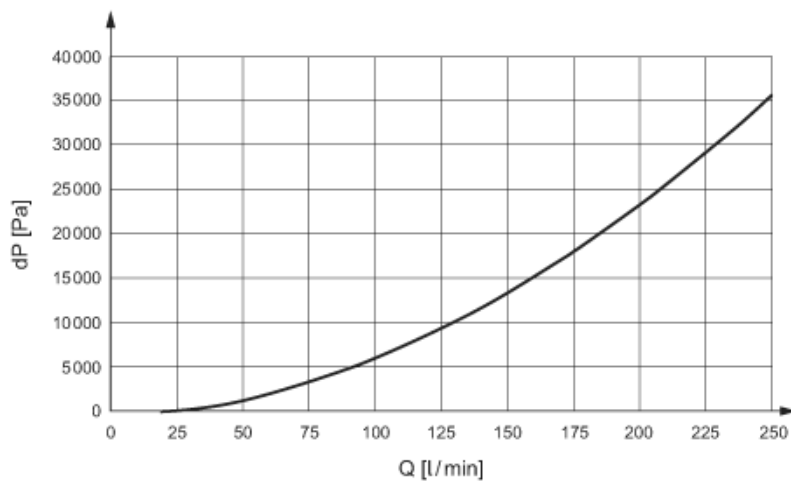
## Ultrasonic flow meter

SUC251JBFRKG/US

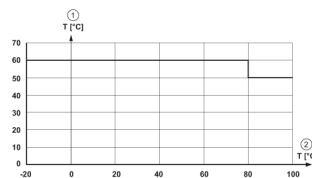


### Diagrams and graphs

Note on pressure loss



derating ambient temperature



- 1 Ambient temperature
- 2 Medium temperature