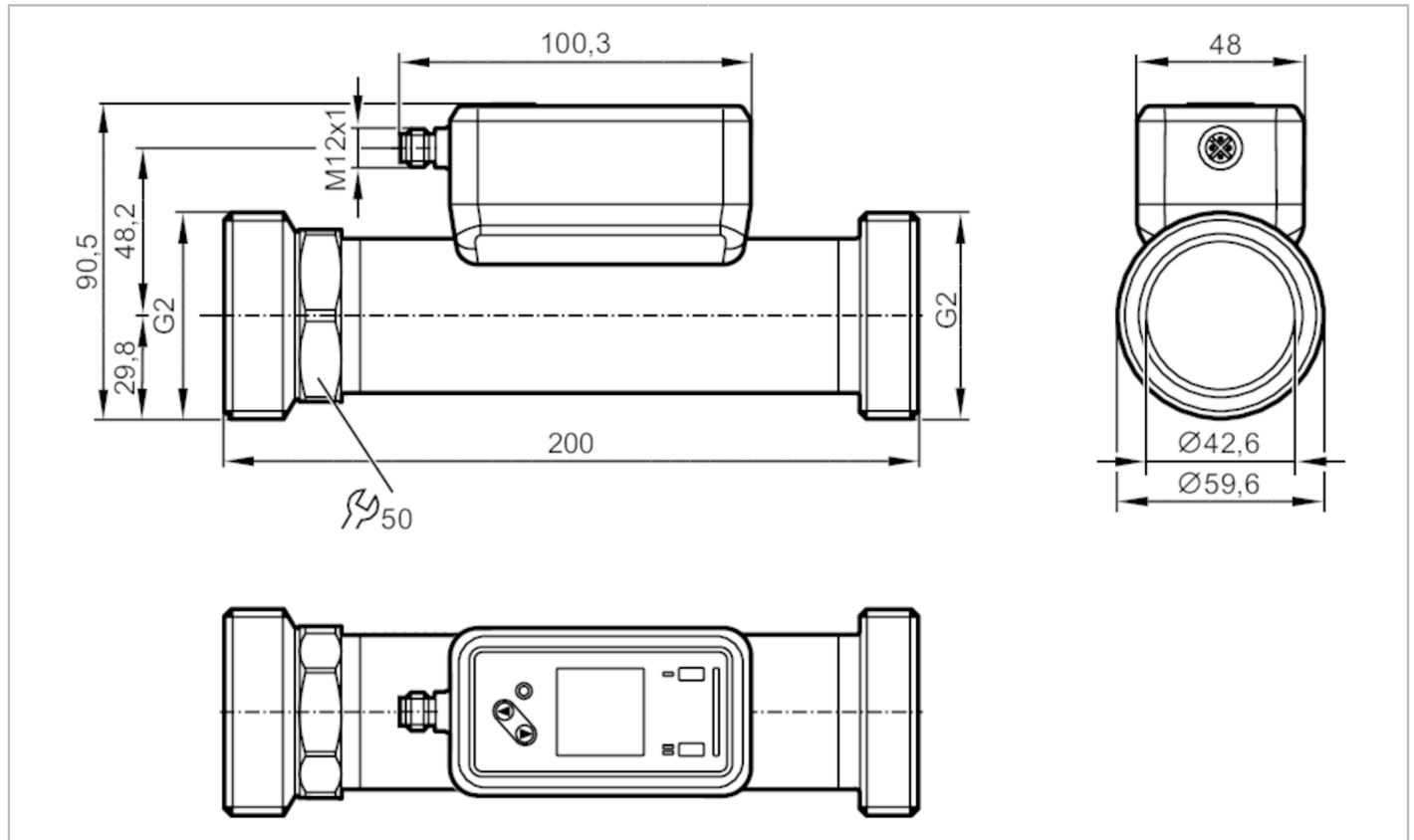


SU2020



Ultrasonic flow meter

SUR21XFBFRKG/US



ACS CE **PA** c **UL** US LISTED IO-Link KTW/W270 Reg31

Product characteristics	
Measuring range	5...1000 l/min 300...60000 l/h 0.058...11.666 m/s 0.3...60 m ³ /h
Process connection	G 2 DN50 external thread
Application	
System	gold-plated contacts
Media	ultra-pure water; water; water-based media
Note on media	water-based media: for media with >10 % additives, the repeatability is the only available value
Medium temperature [°C]	-20...100
Min. bursting pressure	150 bar 15 MPa
Pressure rating	100 bar 10 MPa
Vacuum resistance [mbar]	-1000
MAWP (for applications according to CRN) [bar]	100
Electrical data	
Operating voltage [V]	18...32 DC; (to SELV/PELV)
Current consumption [mA]	< 75
Protection class	III
Reverse polarity protection	yes
Power-on delay time [s]	5
Measuring principle	ultrasonic



Ultrasonic flow meter

SUR21XFBFRKG/US

Inputs				
Inputs	counter reset			
Outputs				
Total number of outputs	2			
Output signal	switching signal; pulse signal; analog signal; IO-Link; frequency signal; diagnostic signal; totalizer switching signal			
Electrical design	PNP/NPN			
Output function	normally open / closed; (configurable)			
Max. voltage drop switching output DC [V]	2			
Permanent current rating of switching output DC [mA]	100			
Switching frequency DC [Hz]	0...10000			
Analog current output [mA]	4...20			
Max. load [Ω]	500			
Pulse output	flow rate meter			
Short-circuit protection	yes			
Type of short-circuit protection	yes (non-latching)			
Overload protection	yes			
Measuring/setting range				
Measuring range	5...1000 l/min	300...60000 l/h	0.058...11.666 m/s	0.3...60 m³/h
Display range	-1200...1200 l/min	-72000...72000 l/h	-13.999...13.999 m/s	-72...72 m³/h
Resolution	0.1 l/min	1 l/h	0.001 m/s	0.002 m³/h
Set point SP	10.5...1000 l/min	630...60000 l/h	0.122...11.666 m/s	0.63...60 m³/h
Reset point rP	5.3...994.8 l/min	318...59688 l/h	0.062...11.605 m/s	0.318...59.688 m³/h
Analog start point ASP	-1000...800 l/min	-60000...48000 l/h	-11.666...9.333 m/s	-60...48 m³/h
Analog end point AEP	-800...1000 l/min	-48000...60000 l/h	-9.333...11.666 m/s	-48...60 m³/h
Low flow cut-off LFC	5...50 l/min	300...3000 l/h	0.058...0.583 m/s	0.3...3 m³/h
Frequency end point, FEP	200.6...1000 l/min	12037...60000 l/h	2.34...11.666 m/s	12.037...60 m³/h
Frequency at the end point FRP [Hz]	1...10000			
Volumetric flow quantity monitoring				
Pulse length [s]	0.002...2			
Pulse value	0.1...99990000 l			
Temperature monitoring				
Measuring range [°C]	-20...100			
Display range [°C]	-44...124			
Resolution [°C]	0.1			
Set point SP [°C]	-19.6...100			
Reset point rP [°C]	-20...99.6			
Analog start point [°C]	-20...76			
Analog end point [°C]	4...100			
Frequency start point, FSP [°C]	-20...76			
Frequency end point, FEP [°C]	4...100			



Ultrasonic flow meter

SUR21XFBFRKG/US

Frequency at the end point FRP	[Hz]	1...10000
--------------------------------	------	-----------

Accuracy / deviations

Flow monitoring		
Accuracy (in the measuring range)		$\pm (1,0 \% MW + 0,5 \% MEW)$
Repeatability		$\pm 0,2 \% MEW$
Temperature monitoring		
Accuracy	[K]	$\pm 2,5 (Q > 5 \% MEW)$
Temperature coefficient	[% of the span / 10 K]	0,2

Reaction times

Flow monitoring		
Response time	[s]	$< 0,25; (dAP = 0, T09)$
Damping process value dAP	[s]	0...5
Temperature monitoring		
Dynamic response T05 / T09	[s]	5,7 / 86

Software / programming

Diagnostic functions		direction of flow detection; signal quality
----------------------	--	---

Interfaces

Communication interface		IO-Link
Transmission type		COM2 (38,4 kBaud)
IO-Link revision		1.1.3
SDCI standard		IEC 61131-9: 2013-07
Profiles		Identification and Diagnosis (0x4000)
Required master port class		A
Process data analog		3
Process data binary		2
Min. process cycle time	[ms]	9.6
IO-Link process data (cyclical)	Function	bit length
	totalizer	32
	Flow monitoring	32
	Temperature monitoring	32
	status	4
	Output 1	1
	Output 2	1
	Supported DeviceIDs	Type of operation
default		1461

Operating conditions

Ambient temperature	[°C]	-20...60
Storage temperature	[°C]	-25...80
Protection		IP 67

Tests / approvals

EMC	DIN 61326-1:2021	
-----	------------------	--

SU2020



Ultrasonic flow meter

SUR21XFBFRKG/US

CPA approval	model number	002US
	accuracy class	1,5
Shock resistance	DIN IEC 68-2-27	20 g (11ms)
Vibration resistance	DIN IEC 68-2-6	5 g (10...2000Hz)
MTTF [years]		160
UL approval	UL approval number	I033
	File number UL	E174189
Pressure equipment directive	can be used for group 2 fluids; group 1 fluids on request	

Mechanical data

Weight [g]	1180	
Type of mounting	inlet pipe length 5xDN; outlet pipe length 1xDN	
Material	housing: stainless steel (1.4404 / 316L); Display: PFA; sealing Display: FKM; connector: POKAN	
Materials (wetted parts)	Pipe section: stainless steel (1.4404 / 316L); Process connection sealing: Centellen Gasket	
Process connection	G 2 DN50 external thread	
Surface characteristics Ra/Rz of the wetted parts	1.25 µm	

Displays / operating elements

Display	Color display 1,44", 128 x 128 pixels
Switching function	2 x LED, yellow
diagnosis	1 x LED, three-color
Display unit	l/min; l/h; m³/h; m/s

Accessories

Items supplied	Gasket 2, Centellen package insert
----------------	---------------------------------------

Remarks

Remarks	MW = Measured value MEW = Final value of the measuring range pulse and totalizer signal are only available for one of the two outputs the accuracy indications are adhered to over the entire application area
Pack quantity	1 pcs.

Electrical connection

Connector: 1 x M12; coding: A; Contacts: gold-plated

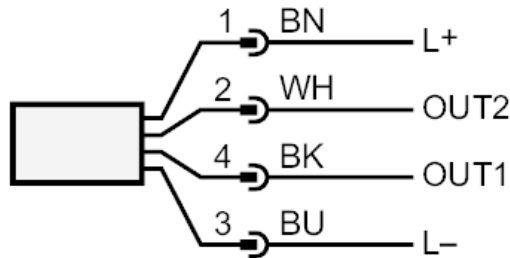




Ultrasonic flow meter

SUR21XFBFRKG/US

Connection



OUT1/IO-Link: Switching output Volumetric flow quantity monitoring
 Switching output Temperature monitoring
 Pulse output quantity meter
 Frequency output Volumetric flow quantity monitoring
 Frequency output Temperature monitoring
 signal output Preset counter

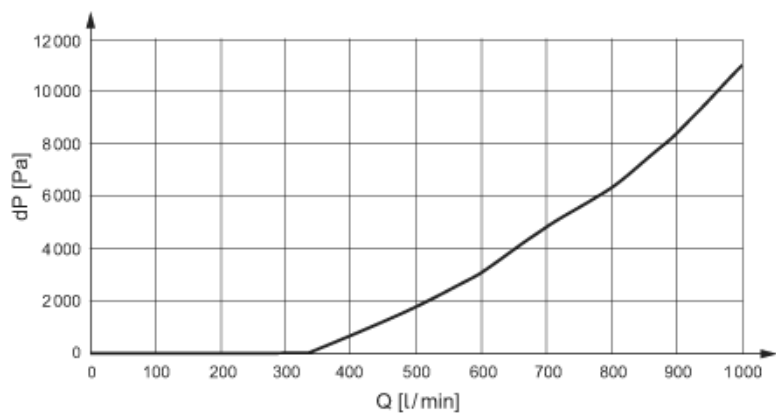
OUT2/InD: Switching output Volumetric flow quantity monitoring
 Switching output Temperature monitoring
 Pulse output quantity meter
 analog output flow
 analog output temperature
 signal output Preset counter
 Input counter reset

Colors to DIN EN 60947-5-2

Core colors BK= black
 BN= brown
 BU= blue
 WH= white

Diagrams and graphs

Note on pressure loss



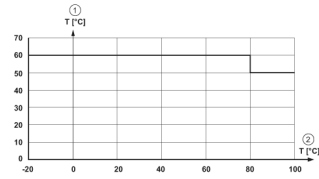
SU2020



Ultrasonic flow meter

SUR21XFBFRKG/US

derating ambient temperature



- 1 Ambient temperature
- 2 Medium temperature