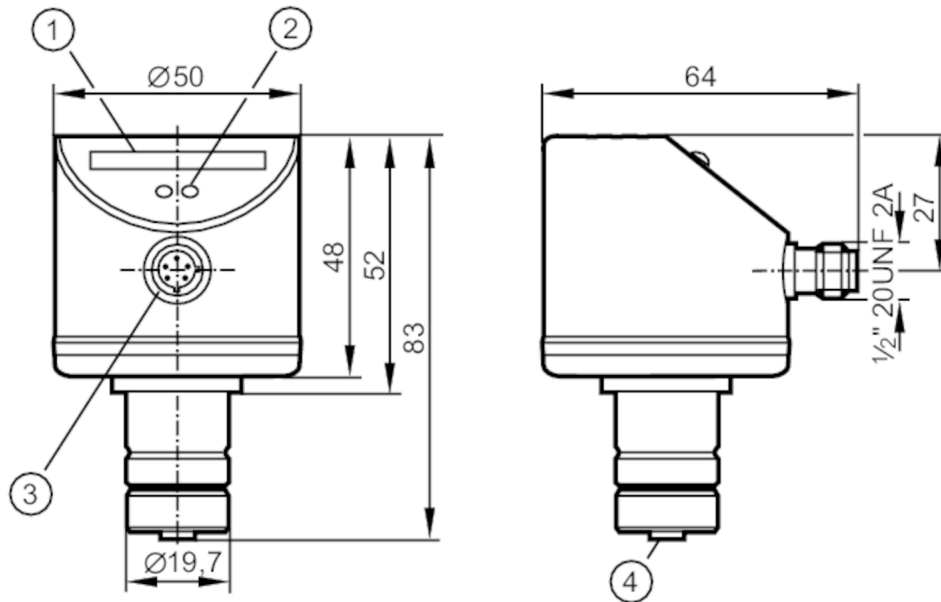


# SR5906



## Control monitor for flow sensors

SRM12XXAKOW/LS-100-IRF



- 1 LED display
- 2 setting pushbutton
- 3 connection for voltage supply and output signals
- 4 connection for flow sensor



Application	
Application	Flow monitoring; Wire break monitoring
Electrical data	
Frequency AC	[Hz] 47...63
Operating voltage tolerance	[%] -15...10
Operating voltage	[V] 90...240 AC
Max. power consumption	[VA] 3.5
Protection class	II
Reverse polarity protection	no
Power-on delay time	[s] 10
Number of channels	1
Outputs	
Electrical design	Relay
Contact rating	3 A (250 V AC / 30 V DC); (switching cycles at 3 A load: 100.000; type of switch-off: normally open)
Switching cycles (mechanical)	20_Millionen
Switching function flow monitoring	output switches when flow is present: ON for output function = normally open / OFF for output function = normally closed
Short-circuit protection	no
Overload protection	no

# SR5906



## Control monitor for flow sensors

SRM12XXAKOW/LS-100-IRF

### Software / programming

Adjustment of the switch point	pushbuttons
--------------------------------	-------------

### Operating conditions

Ambient temperature [°C]	-20...60
Protection	IP 67; (with sensor attached)

### Tests / approvals

EMC	EN 61000-4-2 ESD	4 kV CD / 8 kV AD
	EN 61000-4-3 HF radiated	10 V/m
	EN 61000-4-4 Burst	2 kV
	EN 61000-4-6 HF conducted	10 V
Shock resistance	DIN IEC 68-2-27	30 g (6 ms)
Vibration resistance	DIN IEC 68-2-6	2 g (55...2000 Hz)
MTTF [years]		209

### Mechanical data

Weight [g]	244.5
Material	stainless steel (1.4404 / 316L); stainless steel (1.4301 / 304); PC; PBT-GF20; EPDM/X; brass

### Displays / operating elements

Display	Function	LED, bar graph
	Switching status	LED, orange flash in case of wire break

### Electrical connection

Required protection	miniature fuse to IEC60127-2 sheet 1; ≤ 5 A; fast acting
---------------------	--

### Remarks

Remarks	connection for flow sensor without short-circuit protection / reverse polarity protection
	The flow sensor must be directly connected to the control monitor.
	A connection by means of extension cables is not allowed.
	Recommendation Check the safe functioning of the unit after a short circuit.
Pack quantity	1 pcs.

### Electrical connection

Connector: 1 x 1/2"; coding: C



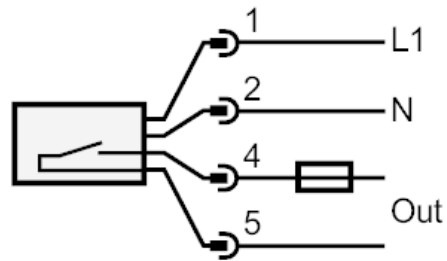
# SR5906



## Control monitor for flow sensors

SRM12XXAKOW/LS-100-IRF

### Connection



n.c. = not used

Note miniature fuse to IEC60127-2 sheet 1  $\leq 5$  A fast acting

Caution no protective insulation between relay circuit and supply voltage