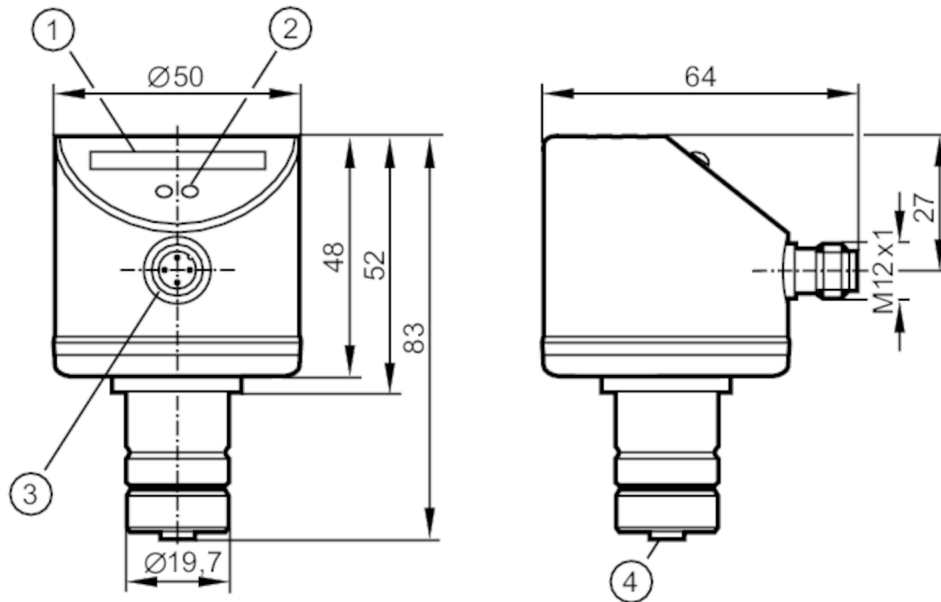


# SR5900



## Control monitor for flow sensors

SRM12XXBFPKG/



- 1 LED display
- 2 setting pushbutton
- 3 connection for voltage supply and output signals
- 4 connection for flow sensor



### Application

Application Flow monitoring; Wire break monitoring

### Electrical data

|                             |            |
|-----------------------------|------------|
| Operating voltage [V]       | 19...36 DC |
| Current consumption [mA]    | < 70       |
| Protection class            | III        |
| Reverse polarity protection | yes        |
| Power-on delay time [s]     | 10         |
| Number of channels          | 1          |

### Outputs

|  |  |
|--|--|
| Electrical design                                    | PNP  |
| Max. voltage drop switching output DC [V]            | 2.5  |
| Permanent current rating of switching output DC [mA] | 250  |
| Switching function flow monitoring                   | output switches when flow is present: ON for output function = normally open / OFF for output function = normally closed |
| Short-circuit protection                             | yes  |
| Overload protection                                  | yes  |

### Software / programming

Adjustment of the switch point pushbuttons

# SR5900



## Control monitor for flow sensors

SRM12XXBFPKG/

### Operating conditions

|                     |      |                               |
|---------------------|------|-------------------------------|
| Ambient temperature | [°C] | -20...60                      |
| Protection          |      | IP 67; (with sensor attached) |

### Tests / approvals

|                      |                           |                    |
|----------------------|---------------------------|--------------------|
| EMC                  | EN 61000-4-2 ESD          | 4 kV CD / 8 kV AD  |
|                      | EN 61000-4-3 HF radiated  | 10 V/m             |
|                      | EN 61000-4-4 Burst        | 2 kV               |
|                      | EN 61000-4-6 HF conducted | 10 V               |
| Shock resistance     | DIN IEC 68-2-27           | 30 g (6 ms)        |
| Vibration resistance | DIN IEC 68-2-6            | 5 g (55...2000 Hz) |
| MTTF                 | [years]                   | 342                |

### Mechanical data

|          |     |  |
|----------|-----|--|
| Weight   | [g] | 225.5  |
| Material |     | stainless steel (1.4404 / 316L); stainless steel (1.4301 / 304); PC; PBT-GF20; EPDM/X; brass |

### Displays / operating elements

|         |                  |   |
|---------|------------------|---|
| Display | Function         | LED, bar graph                          |
|         | Switching status | LED, orange flash in case of wire break |

### Remarks

|               |  |
|---------------|--|
| Remarks       | connection for flow sensor without short-circuit protection / reverse polarity protection<br>The flow sensor must be directly connected to the control monitor.<br>A connection by means of extension cables is not allowed. |
| Pack quantity | 1 pcs.   |

### Electrical connection

Connector: 1 x M12; coding: A



### Connection

