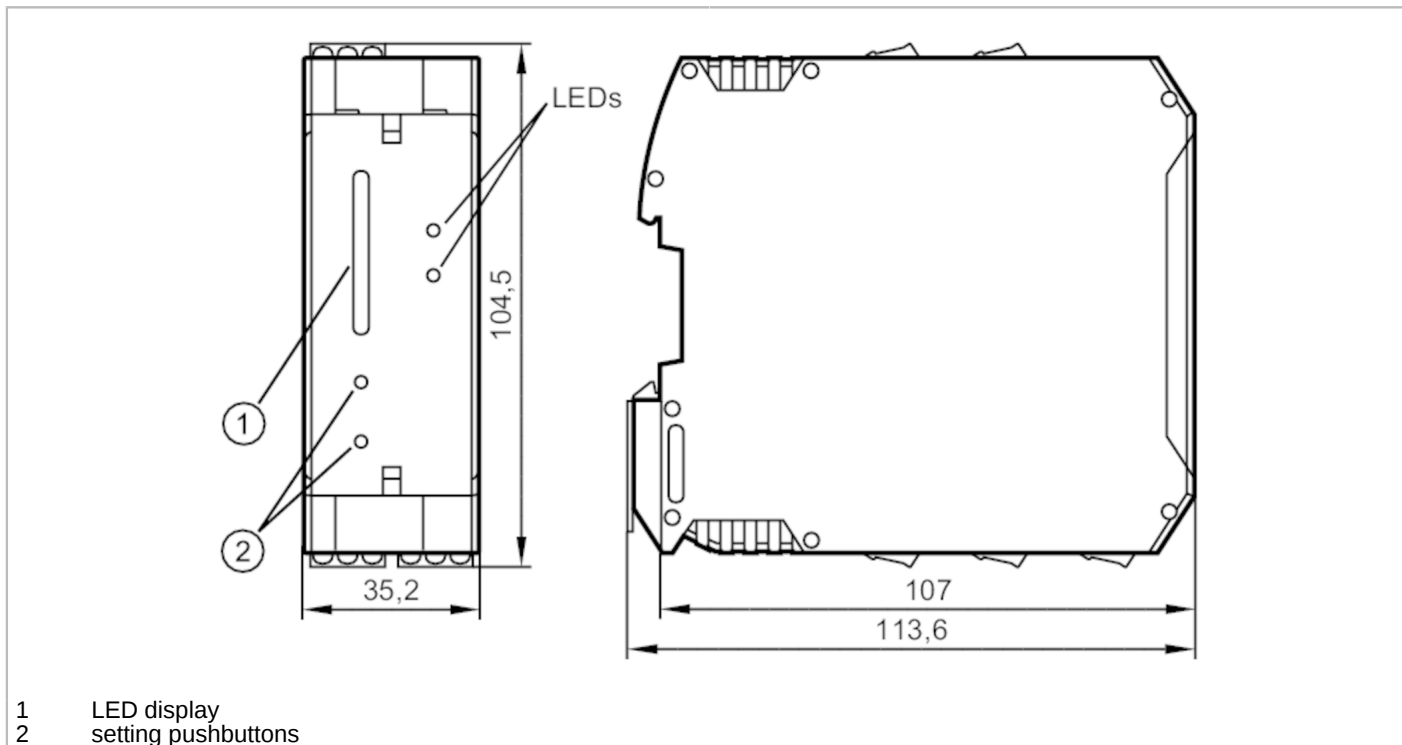


SR307A



Control monitor for flow sensors

VS4000/24VDC/EXI/1G



Application	
Application	Flow monitoring; Temperature monitoring; Wire break monitoring
Electrical data	
Operating voltage tolerance [%]	-15...15
Operating voltage [V]	24 DC
Current consumption [mA]	100
Reverse polarity protection	no
Power-on delay time [s]	10
Number of channels	1
Outputs	
Performance in case of a fault	Relay de-energized in case of the following faults: wire break, reverse polarity or short circuit of the sensor cable, undervoltage, internal fault
Electrical design	Relay
Contact rating	4 A (250 V AC cos phi > 0,7) ; 0,2 A (250 V DC); 4 A (24 V DC)
Switching function flow monitoring	relay energized when flow is present
Switching function temperature monitoring	relay de-energized when temperature is exceeded
Short-circuit proof	no
Overload protection	no
Software / programming	
Adjustment of the switch point	Programming buttons

SR307A



Control monitor for flow sensors

VS4000/24VDC/EXI/1G

Operating conditions		
Ambient temperature	[°C]	-20...60
Storage temperature	[°C]	-25...80
Protection		IP 20
Protection rating terminals		IP 20
Tests / approvals		
Approval		CSANe 21ATEX2238; IECEx CSA 21.0044
ATEX marking		⊕ II (1) G [Ex ia Ga] IIC
		⊕ II (1) G [Ex ia Ga] IIB
MTTF	[years]	124
Mechanical data		
Weight	[g]	368
Housing		housing for DIN rail mounting
Dimensions	[mm]	104.5 x 32.5 x 113.6
Material		PA
Displays / operating elements		
Display	fault	LED, red
	Function	LED, bar graph
	Switching status	LED, yellow
Electrical connection		
Required protection		miniature fuse to IEC60127-2 sheet 1; ≤ 5 A; fast acting; Place the fuse outside the hazardous area.
Remarks		
Remarks		Caution The control monitor must be mounted outside the hazardous area. Recommendation Check the safe functioning of the unit after a short circuit.
Pack quantity		1 pcs.

SR307A



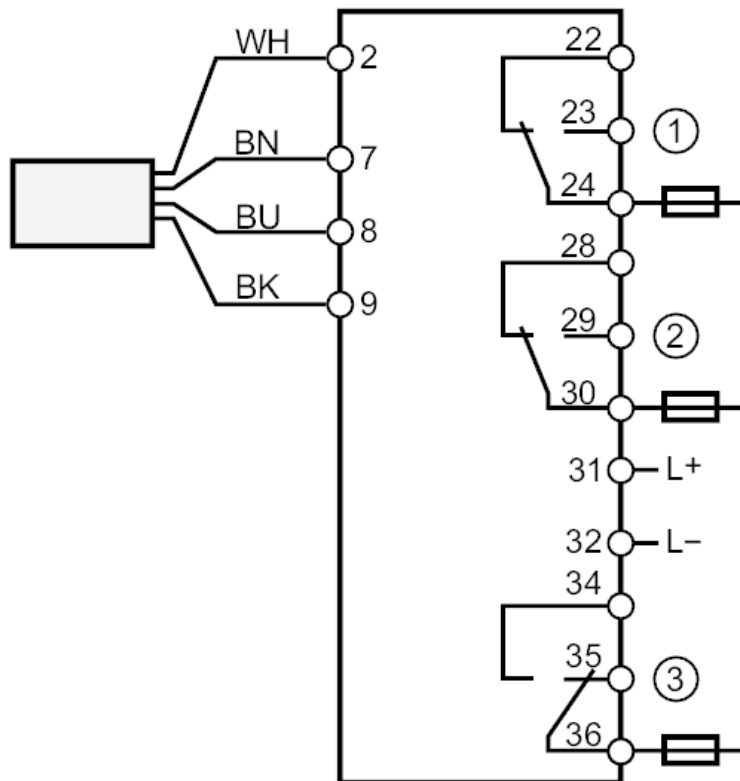
Control monitor for flow sensors

VS4000/24VDC/EXI/1G

Electrical connection

terminals: 15 x ...2.5 mm²

Connection



- 1 Flow monitoring
 - 2 Fault monitoring
 - 3 Temperature monitoring
- Note miniature fuse to IEC60127-2 sheet 1 ≤ 5 A fast acting
Place the fuse outside the hazardous area.
Core colors :
- BK = black
 - BN = brown
 - BU = blue
 - WH = white

Other data

Maximum values for control circuit

in protection rating intrinsic safety	[Ex ia Ga] IIC	[Ex ia Ga] IIB	[Ex ib Gb] IIC	[Ex ib Gb] IIB
Voltage [V]	9.6	9.6	9.6	9.6
Current [mA]	332	332	332	332
Power [mW]	531	531	531	531
External inductance [mH]	0.3	1.2	0.3	1.2
External capacitance [µF]	3.15	25.55	3.15	25.55