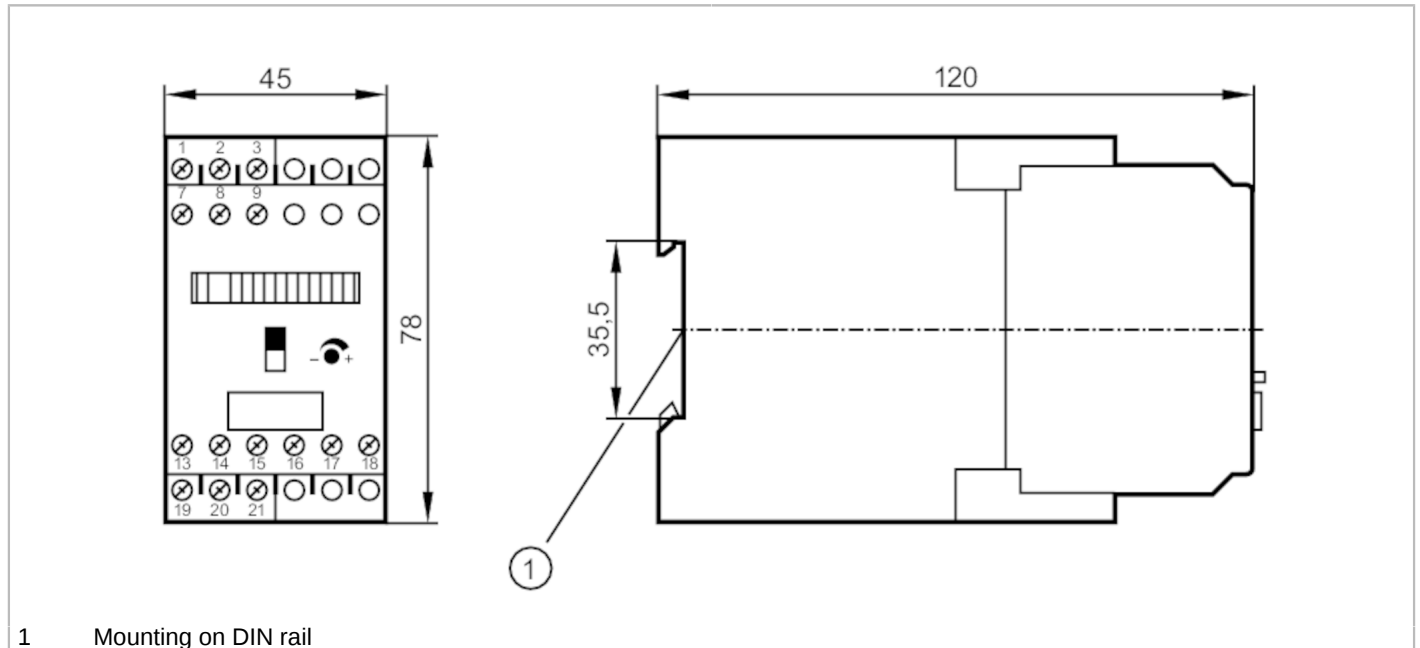


SN2301



Control monitor for flow sensors

VS2000/230VAC/EXI/1G



1 Mounting on DIN rail




Application	
Application	Flow monitoring; Wire break monitoring
Electrical data	
Frequency AC	[Hz] 47...63
Operating voltage tolerance	[%] -10...10
Operating voltage	[V] < 230 AC
Max. power consumption	[VA] 5
Reverse polarity protection	no
Power-on delay time	[s] 30
Number of channels	1
Outputs	
Electrical design	Relay
Contact rating	4 A (250 V AC $\cos \phi > 0,7$) ; 0,2 A (250 V DC); 4 A (24 V DC)
Switching function flow monitoring	relay energized when flow is present
Switching function wire break monitoring	relay de-energized in case of wire break
Short-circuit proof	no
Overload protection	no
Software / programming	
Adjustment of the switch point	potentiometer
Selection liquids / gases	with slide switch
Operating conditions	
Ambient temperature	[°C] -20...60
Storage temperature	[°C] -20...85

SN2301



Control monitor for flow sensors

VS2000/230VAC/EXI/1G

Protection	IP 40	
Protection rating terminals	IP 20	
Tests / approvals		
Approval	PTB 01 ATEX 2075; IECEx PTB 07.0004; TIIS TC16593	
ATEX marking	 II (1) G [Ex ia Ga] IIC	
MTTF [years]	248	
Mechanical data		
Weight [g]	504.5	
Housing	housing for DIN rail mounting	
Dimensions [mm]	78 x 45 x 120	
Material	plastics	
Displays / operating elements		
Display	Function	11 x LED
	Switching status	LED, red
Electrical connection		
Required protection	miniature fuse to IEC60127-2 sheet 1; ≤ 5 A; fast acting; Place the fuse outside the hazardous area.	
Remarks		
Remarks	Caution The control monitor must be mounted outside the hazardous area.	
	Recommendation Check the safe functioning of the unit after a short circuit.	
Pack quantity	1 pcs.	

SN2301



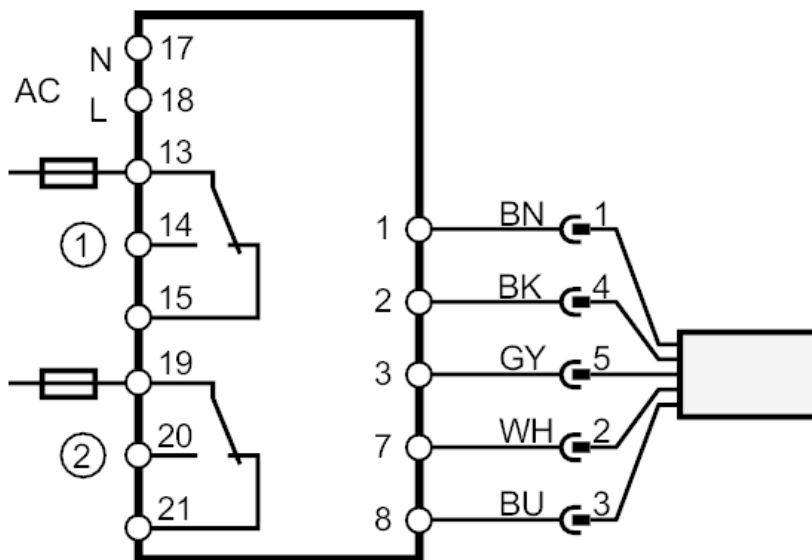
Control monitor for flow sensors

VS2000/230VAC/EXI/1G

Electrical connection

terminals: 15 x ...2.5 mm²

Connection



- 1 Flow monitoring
- 2 Wire break monitoring
- Note miniature fuse to IEC60127-2 sheet 1 ≤ 5 A fast acting
Place the fuse outside the hazardous area.
- Core colors :
- BN = brown
- BU = blue
- BK = black
- WH = white
- GY = grey

Other data

Maximum values for control circuit

in protection rating intrinsic safety	[EEx ia] IIC	[EEx ia] IIB	[EEx ib] IIC	[EEx ib] IIB
Voltage [V]	15.8	15.8	15.8	15.8
Current [mA]	92	92	92	92
Power [mW]	680	680	680	680
External inductance [mH]	1	1	1	1
External capacitance [μF]	0.185	1.6	0.185	1.6