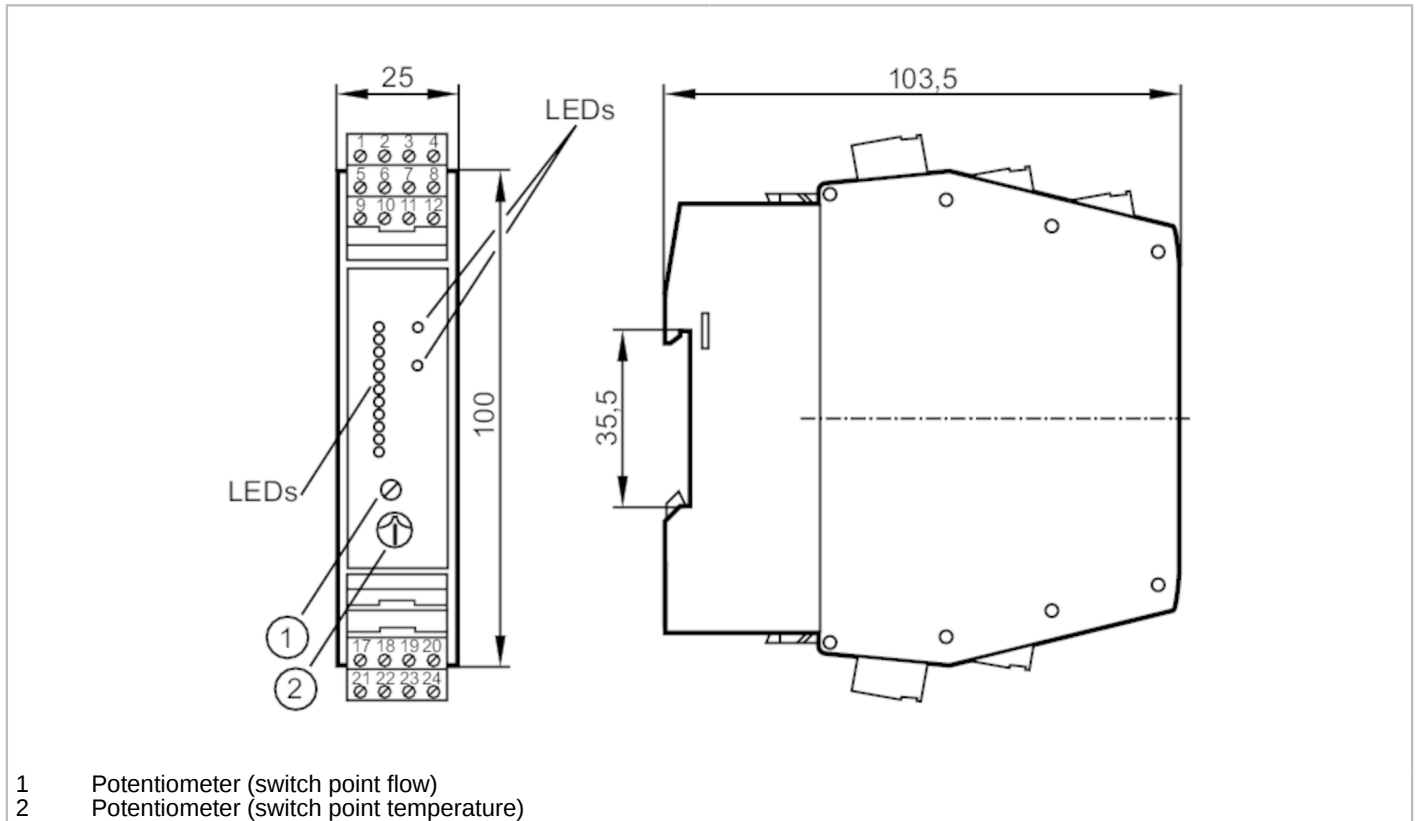


# SN0150



## Control monitor for flow sensors

VS3000/85...265VAC



Application	
Application	Flow monitoring; Temperature monitoring; Wire break monitoring
Electrical data	
Frequency AC	[Hz] 47...63
Operating voltage tolerance	[%] -5...10
Operating voltage	[V] 90...240 AC
Max. power consumption	[VA] 4
Protection class	II
Reverse polarity protection	no
Power-on delay time	[s] 10...80; (adjustable (fixed-value resistors terminals 22-23))
Number of channels	1
Outputs	
Performance in case of a fault	In case of undervoltage all relays are de-energized, the LED "LOW VOLTAGE/WIRE BREAK-RELAY" lights
Electrical design	Relay
Contact rating	4 A (250 V AC / 30 V DC)
Switching function flow monitoring	relay energized when flow is present and during the power-on delay time
Switching function temperature monitoring	relay energized when temperature is exceeded
Switching function wire break monitoring	relay de-energized in case of wire-break or short circuit
Short-circuit proof	no

# SN0150



## Control monitor for flow sensors

VS3000/85...265VAC

Overload protection		no
<b>Reaction times</b>		
Response time	[s]	< 3
<b>Software / programming</b>		
Adjustment of the switch point		potentiometer
Selection liquids / gases		wire bridge; on delivery: monitoring of liquids.; for monitoring of gases: link terminals 23 / 24.
Switch point setting		potentiometer
Temperature range	[°C]	0...80
Repeatability switch point / measured value	[K]	4
<b>Operating conditions</b>		
Ambient temperature	[°C]	-20...60
Note on ambient temperature		in case of sufficient free space for convection cooling
Protection		IP 20
<b>Tests / approvals</b>		
MTTF	[years]	168
<b>Mechanical data</b>		
Weight	[g]	252.5
Housing		housing for DIN rail mounting
Dimensions	[mm]	100 x 25 x 103.5
Material		PBT
<b>Displays / operating elements</b>		
Display	Function	11 x LED
	Switching status	LED, red
	Switching status	LED, red
<b>Electrical connection</b>		
Required protection		miniature fuse to IEC60127-2 sheet 1; ≤ 5 A; fast acting
<b>Remarks</b>		
Remarks		Recommendation Check the safe functioning of the unit after a short circuit.
Pack quantity		1 pcs.

# SN0150



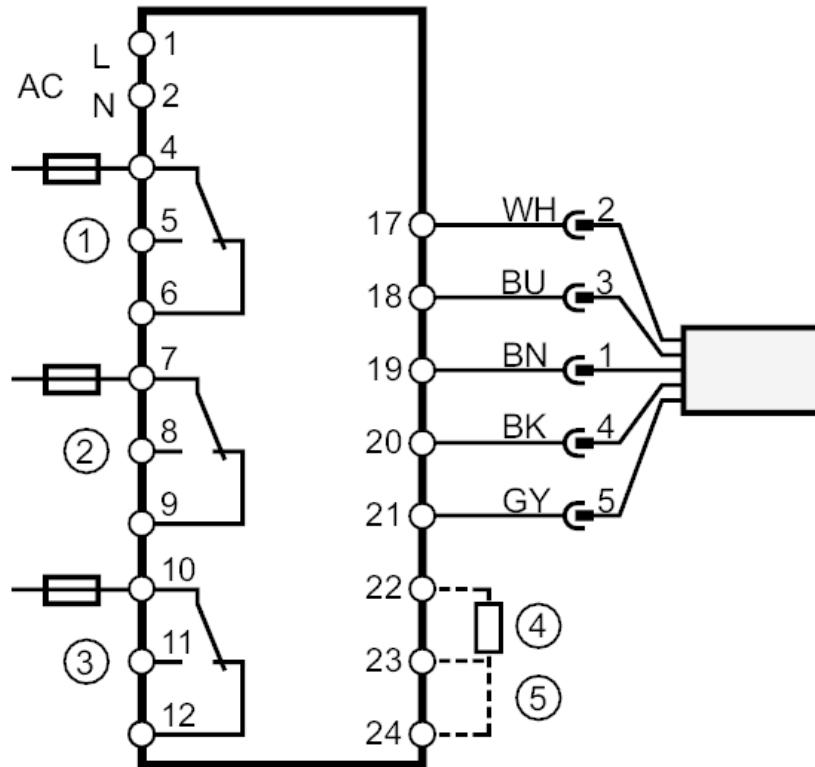
## Control monitor for flow sensors

VS3000/85...265VAC

### Electrical connection

Combicon connector:

### Connection



- 1 = Flow monitoring  
2 = Wire break monitoring  
3 = Temperature monitoring  
4 = Power-on delay time  
5 = Selection liquid / gas  
Note miniature fuse to IEC60127-2 sheet 1  $\leq 5$  A fast acting  
Core colors :  
BN = brown  
BU = blue  
BK = black  
WH = white  
GY = grey