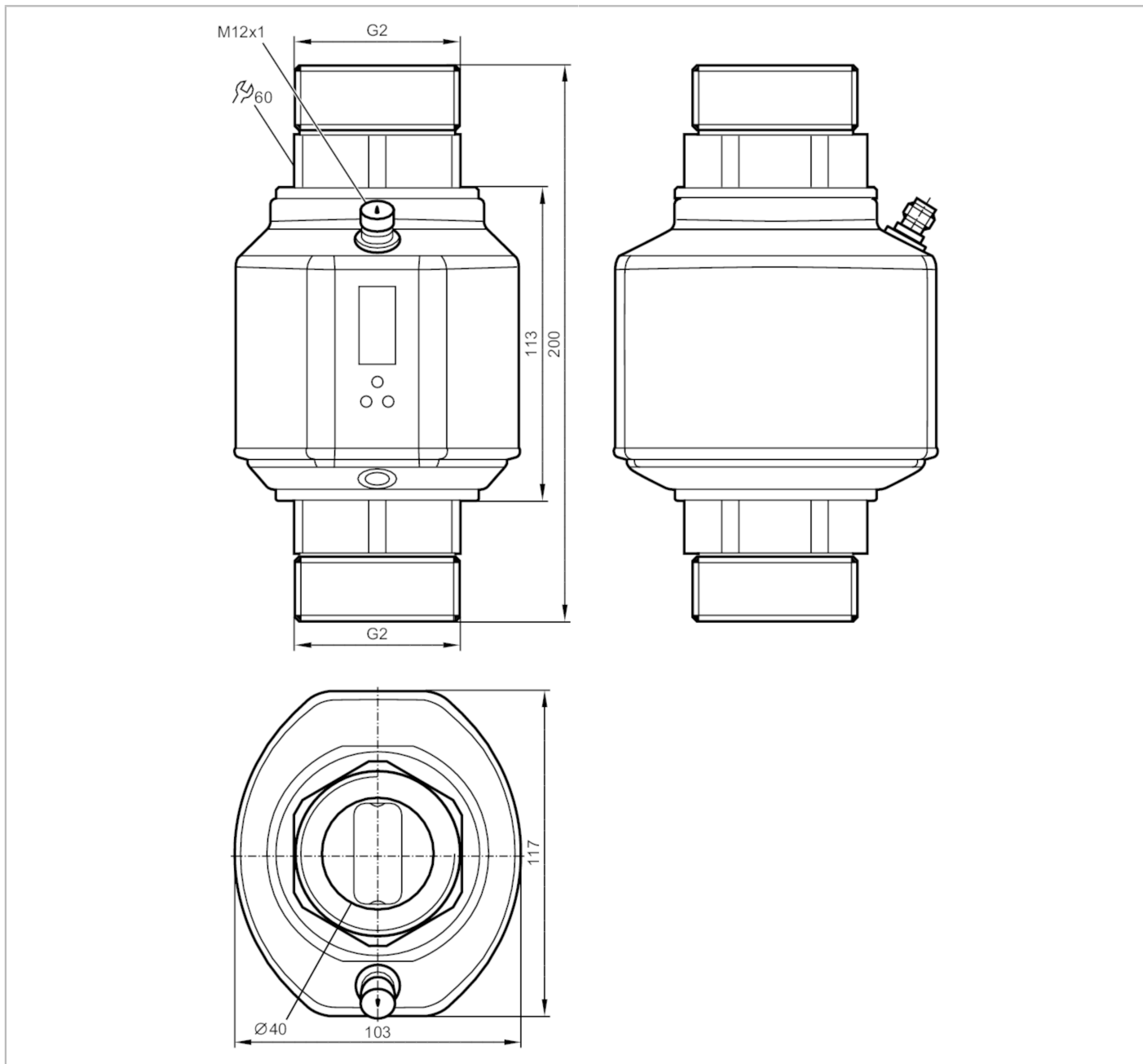


SM9004



Magnetic-inductive flow meter

SMR21XGX50KG/US



Product characteristics				
Number of inputs and outputs	Number of analog outputs: 2			
Measuring range	5...300 l/min	0.3...18 m ³ /h	80...4755 gph	1.3...79.3 gpm
Process connection	threaded connection G 2 DN50 flat seal			
Application				
System	gold-plated contacts			
Application	empty pipe detection; for industrial applications			
Installation	connection to pipe by means of an adapter			
Media	Conductive liquids; water; water-based media			

SM9004



Magnetic-inductive flow meter

SMR21XGX50KG/US

Note on media	conductivity: $\geq 20 \mu\text{S/cm}$	
	viscosity: $< 70 \text{ mm}^2/\text{s}$ (40 °C)	
Medium temperature	-10...90 °C	14...194 °F
Pressure rating [bar]	16	
Pressure rating [MPa]	1.6	
Pressure rating [psi]	232	
MAWP (for applications according to CRN) [bar]	16	

Electrical data

Operating voltage [V]	18...32 DC; (to SELV/PELV)
Current consumption [mA]	< 150
Protection class	III
Reverse polarity protection	yes
Power-on delay time [s]	5

Inputs / outputs

Number of inputs and outputs	Number of analog outputs: 2
------------------------------	-----------------------------

Outputs

Total number of outputs	2
Output signal	analog signal
Number of analog outputs	2
Analog current output [mA]	4...20; ($\leq 22 \text{ mA}$; scalable)
Max. load [Ω]	500

Measuring/setting range

Measuring range	5...300 l/min	0.3...18 m ³ /h	80...4755 gph	1.3...79.3 gpm
Display range	-360...360 l/min	-21.6...21.6 m ³ /h	-5705...5705 gph	-95.1...95.1 gpm
Resolution	0.5 l/min	0.02 m ³ /h	5 gph	0.1 gpm
Analog start point ASP	0...240 l/min	0...14.4 m ³ /h	0...3800 gph	0...63.4 gpm
Analog end point AEP	60...300 l/min	3.6...18 m ³ /h	955...4755 gph	15.9...79.3 gpm
Low flow cut-off LFC	$< 15 \text{ l/min}$	$< 0.9 \text{ m}^3/\text{h}$	$< 240 \text{ gph}$	$< 4 \text{ gpm}$
In steps of	0.5 l/min	0.02 m ³ /h	5 gph	0.1 gpm
Measuring dynamics	1:60			

Temperature monitoring

Measuring range	-20...80 °C	-4...176 °F
Display range	-40...100 °C	-40...212 °F
Resolution	0.2 °C	0.5 °F
Analog start point	-20...60 °C	-4...140 °F
Analog end point	0...80 °C	32...176 °F
In steps of	0.2 °C	0.5 °F

Accuracy / deviations

Flow monitoring

Accuracy (in the measuring range)	$\pm (0,8 \% \text{ MW} + 0,5 \% \text{ MEW})$
Repeatability	$\pm 0,2\% \text{ MEW}$

Temperature monitoring

Temperature drift	$\pm 0,0333 \text{ }^\circ\text{C} / \text{K}; \pm 0,0599 \text{ }^\circ\text{F} / \text{K}$
-------------------	--

SM9004



Magnetic-inductive flow meter

SMR21XGX50KG/US

Accuracy	[K]	± 1 (25 °C; Q > 15 l/min) / ± 1 (77 °F; Q > 4 gpm)
Reaction times		
Flow monitoring		
Response time	[s]	0.35; (dAP = 0)
Damping process value dAP	[s]	0...5
Temperature monitoring		
Dynamic response T05 / T09	[s]	T09 = 3 (Q > 15 l/min) / T09 = 3 (Q > 4 gpm)
Software / programming		
Parameter setting options		display can be deactivated; Display unit; empty pipe detection
Operating conditions		
Ambient temperature	-10...60 °C	14...140 °F
Storage temperature	-25...80 °C	-13...176 °F
Protection		IP 65; IP 67
Tests / approvals		
EMC	DIN EN 60947-5-9	
CPA approval	model number	004MI
	accuracy class	-
	maximum allowable error	$\pm 1,5$ % FS
	Q (min)	0,3 m ³ /h
	Q (t)	-
	Q (max)	18 m ³ /h
	Medium temperature	-10...70 °C
	Medium temperature	14...158 °F
Shock resistance	DIN EN 60068-2-27	20 g (11 ms)
Vibration resistance	DIN EN 60068-2-6	5 g (10...2000 Hz)
MTTF	[years]	85
Pressure equipment directive		sound engineering practice; can be used for group 2 fluids; group 1 fluids on request
Mechanical data		
Weight	[g]	3050
Material		stainless steel (1.4404 / 316L); stainless steel (1.4571/316Ti); PEI; FKM; PBT-GF20; TPE-U
Materials (wetted parts)		stainless steel (1.4404 / 316L); stainless steel (1.4571/316Ti); PEEK; Centellen; FKM
Process connection		threaded connection G 2 DN50 flat seal
Displays / operating elements		
Display	Display unit	6 x LED, green (l/min, m ³ /h, gpm, gph, °C, °F)
	Function display	1 x LED, yellow (10 ³)
	Measured values	alphanumeric display, 4-digit
	Programming	alphanumeric display, 4-digit
Display unit		l/min; m ³ /h; gpm; gph; °C; °F
Accessories		
Items supplied		sealings: 2, Centellen Label
Remarks		
Remarks		MW = Measured value MEW = Final value of the measuring range

SM9004



Magnetic-inductive flow meter

SMR21XGX50KG/US

Pack quantity

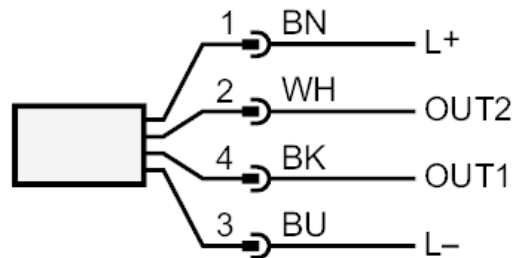
1 pcs.

Electrical connection

Connector: 1 x M12; coding: A; Contacts: gold-plated



Connection



OUT1:

OUT2:

BK =

BN =

BU =

WH =

Colors to DIN EN 60947-5-2

analog output Temperature monitoring

analog output Volumetric flow quantity monitoring

Core colors :

black

brown

blue

white

SM9004



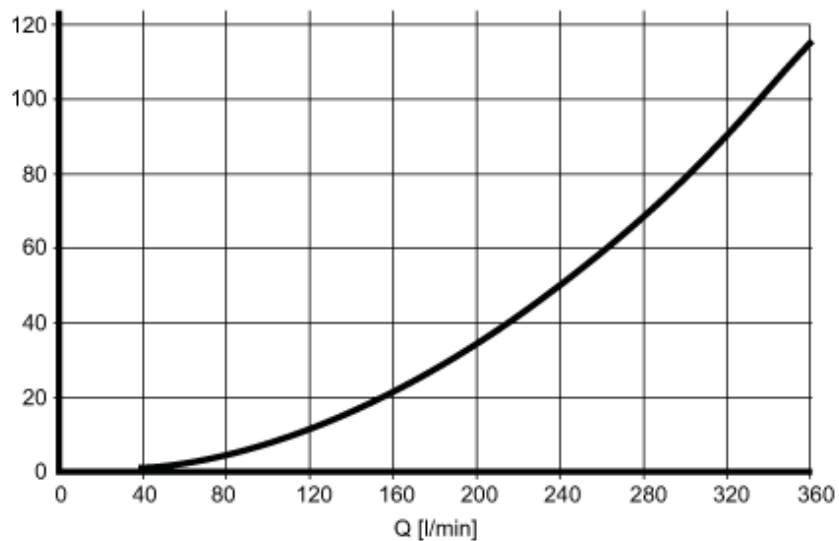
Magnetic-inductive flow meter

SMR21XGX50KG/US

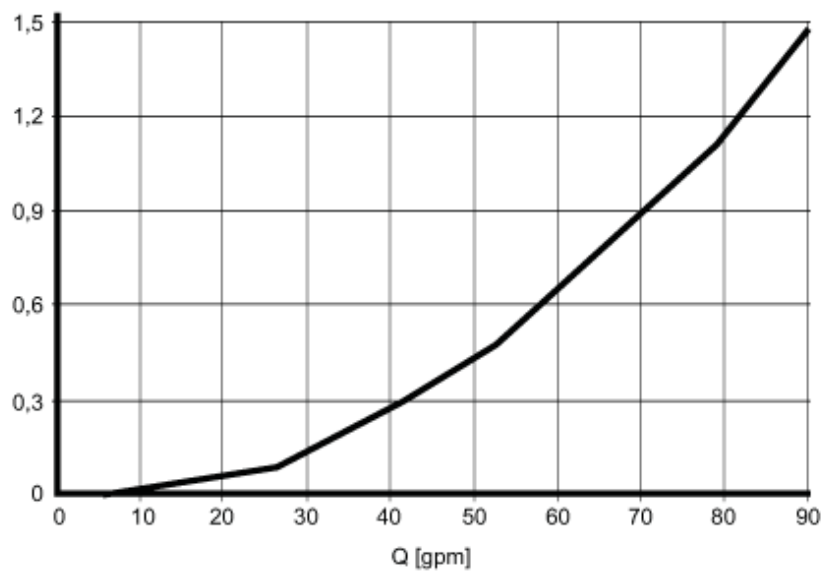
Diagrams and graphs

Pressure loss

dP [mbar] DN50



dP [psi]



dP Pressure loss

Q volumetric flow quantity