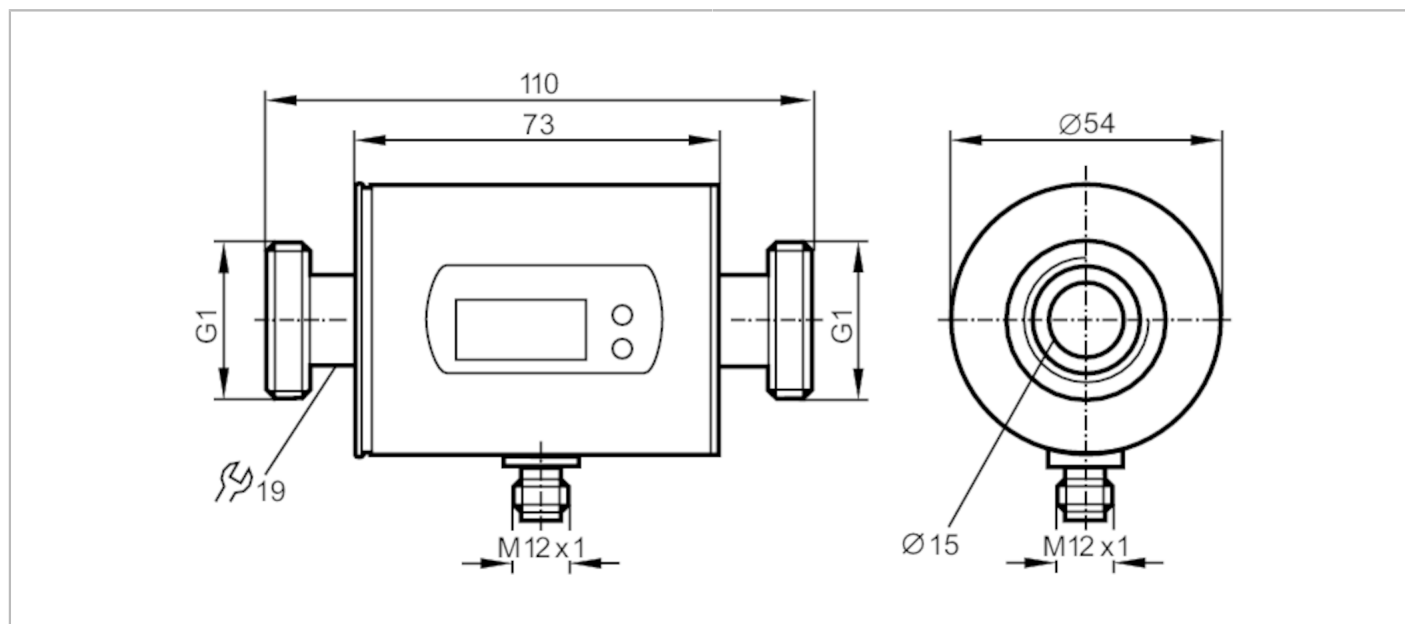


SM8001



Magnetic-inductive flow meter

SMR11GGXFRKG/US-100



Product characteristics

Number of inputs and outputs	Number of digital outputs: 2; Number of analog outputs: 1	
Measuring range	6...1584 gph	0.1...26.4 gpm
Process connection	threaded connection G 1 DN25 flat seal	

Application

System	gold-plated contacts	
Application	Totalizer function; for industrial applications	
Installation	connection to pipe by means of an adapter	
Media	Conductive liquids; water; water-based media	
Note on media	conductivity: $\geq 20 \mu\text{S/cm}$ viscosity: $< 70 \text{ mm}^2/\text{s}$ (40 °C)	
Medium temperature	[°F]	14...158
Pressure rating	[bar]	16
Pressure rating	[psi]	232
MAWP (for applications according to CRN)	[bar]	11.2

Electrical data

Operating voltage	[V]	18...30 DC; (to SELV/PELV)
Current consumption	[mA]	95; (24 V)
Protection class		III
Reverse polarity protection		yes
Power-on delay time	[s]	5

Inputs / outputs

Number of inputs and outputs	Number of digital outputs: 2; Number of analog outputs: 1	
------------------------------	---	--

Inputs

Inputs	counter reset	
--------	---------------	--

SM8001



Magnetic-inductive flow meter

SMR11GGXFRKG/US-100

Outputs		
Total number of outputs		2
Output signal		switching signal; analog signal; pulse signal; IO-Link; (configurable)
Electrical design		PNP/NPN
Number of digital outputs		2
Output function		normally open / closed; (configurable)
Max. voltage drop switching output DC	[V]	2
Permanent current rating of switching output DC	[mA]	200
Number of analog outputs		1
Analog current output	[mA]	4...20; (scalable)
Max. load	[Ω]	500
Analog voltage output	[V]	0...10; (scalable)
Min. load resistance	[Ω]	2000
Pulse output		flow rate meter
Short-circuit protection		yes
Type of short-circuit protection		yes (non-latching)
Overload protection		yes
Measuring/setting range		
Measuring range	6...1584 gph	0.1...26.4 gpm
Display range	-1902...1902 gph	-31.7...31.7 gpm
Resolution	2 gph	0.05 gpm
Set point SP	14...1586 gph	0.25...26.4 gpm
Reset point rP	6...1578 gph	0.1...26.25 gpm
Analog start point ASP	0...1272 gph	0...21.2 gpm
Analog end point AEP	312...1586 gph	5.2...26.4 gpm
In steps of	2 gph	0.05 gpm
Volumetric flow quantity monitoring		
Pulse value		0.01...100 000 000 gal
Pulse length	[s]	0,0025...2
Temperature monitoring		
Measuring range	[°F]	-4...176
Resolution	[°F]	0.5
Set point SP	[°F]	-2.5...176
Reset point rP	[°F]	-3.5...175
Analog start point	[°F]	-4...140.5
Analog end point	[°F]	31.5...176
In steps of	[°F]	0.5
Accuracy / deviations		
Flow monitoring		
Accuracy (in the measuring range)		± (0,8 % MW + 0,5 % MEW)
Repeatability		± 0,2% MEW

SM8001



Magnetic-inductive flow meter

SMR11GGXFRKG/US-100

Temperature monitoring		
Accuracy	[K]	± 2,5 (Q > 0,26 gpm)
Reaction times		
Flow monitoring		
Response time	[s]	0.15; (dAP = 0, T19)
Delay time programmable dS, dr	[s]	0...50
Damping process value dAP	[s]	0...5
Temperature monitoring		
Dynamic response T05 / T09	[s]	T09 = 20 (Q > 0,26 gpm)
Software / programming		
Parameter setting options	Flow monitoring; quantity meter; Preset counter; Temperature monitoring; hysteresis / window; normally open / closed; switching logic; current/voltage/pulse output; Start-up delay; display can be deactivated; Display unit	
Interfaces		
Communication interface	IO-Link	
Transmission type	COM2 (38,4 kBaud)	
IO-Link revision	1.1	
SDCI standard	IEC 61131-9	
Profiles	Smart Sensor: Process Data Variable; Device Identification, Device Diagnosis	
SIO mode	yes	
Required master port class	A	
Process data analog	3	
Process data binary	2	
Min. process cycle time	[ms]	5
Supported DeviceIDs	Type of operation	DeviceID
	default	576
Operating conditions		
Ambient temperature	[°F]	14...140
Storage temperature	[°F]	-13...176
Protection		IP 67
Tests / approvals		
EMC	DIN EN 60947-5-9	
Shock resistance	DIN IEC 68-2-27	20 g (11 ms)
Vibration resistance	DIN IEC 68-2-6	5 g (10...2000 Hz)
MTTF	[years]	145
Pressure equipment directive	sound engineering practice; can be used for group 2 fluids; group 1 fluids on request	
Mechanical data		
Weight	[g]	26
Material	stainless steel (1.4404 / 316L); PBT-GF20; PC; FKM; TPE	
Materials (wetted parts)	stainless steel (1.4404 / 316L); PEEK; FKM	
Process connection	threaded connection G 1 DN25 flat seal	

SM8001



Magnetic-inductive flow meter

SMR11GGXFRKG/US-100

Displays / operating elements		
Display	Display unit	6 x LED, green (gpm, gph, gal, °F, 10 ³ , 1000 x 10 ³)
	Switching status	2 x LED, yellow
	Measured values	alphanumeric display, 4-digit
	Programming	alphanumeric display, 4-digit

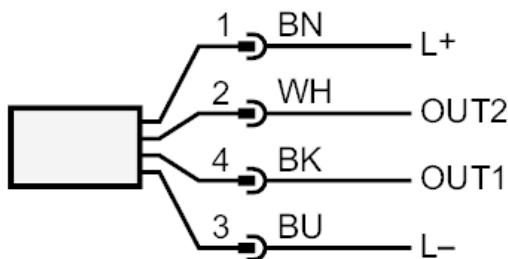
Remarks	
Remarks	MW = Measured value MEW = Final value of the measuring range
Pack quantity	1 pcs.

Electrical connection

Connector: 1 x M12; coding: A; Contacts: gold-plated



Connection



- OUT1: Colors to DIN EN 60947-5-2
Switching output Volumetric flow quantity monitoring
Pulse output quantity meter
signal output Preset counter
IO-Link
- OUT2: Switching output Volumetric flow quantity monitoring
Switching output Temperature monitoring
analog output Volumetric flow quantity monitoring
analog output Temperature monitoring
Input counter reset
Core colors :
- BK = black
BN = brown
BU = blue
WH = white

SM8001

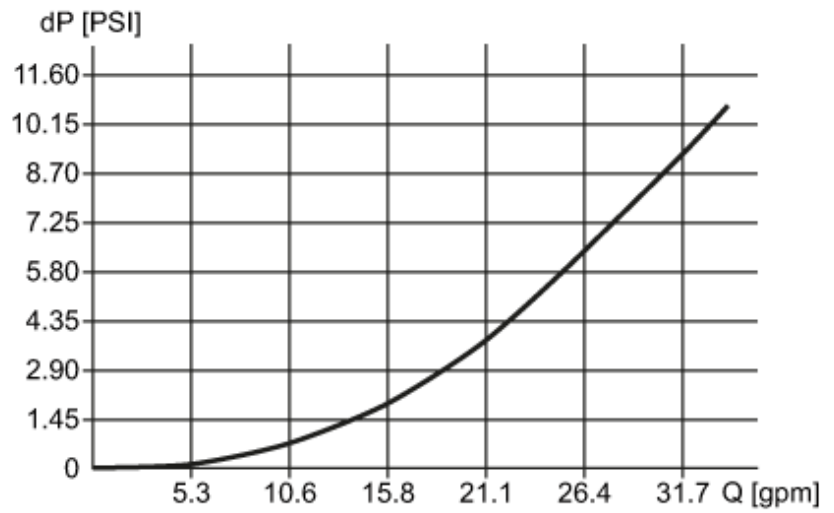


Magnetic-inductive flow meter

SMR11GGXFRKG/US-100

Diagrams and graphs

Pressure loss



dP Pressure loss

Q volumetric flow quantity