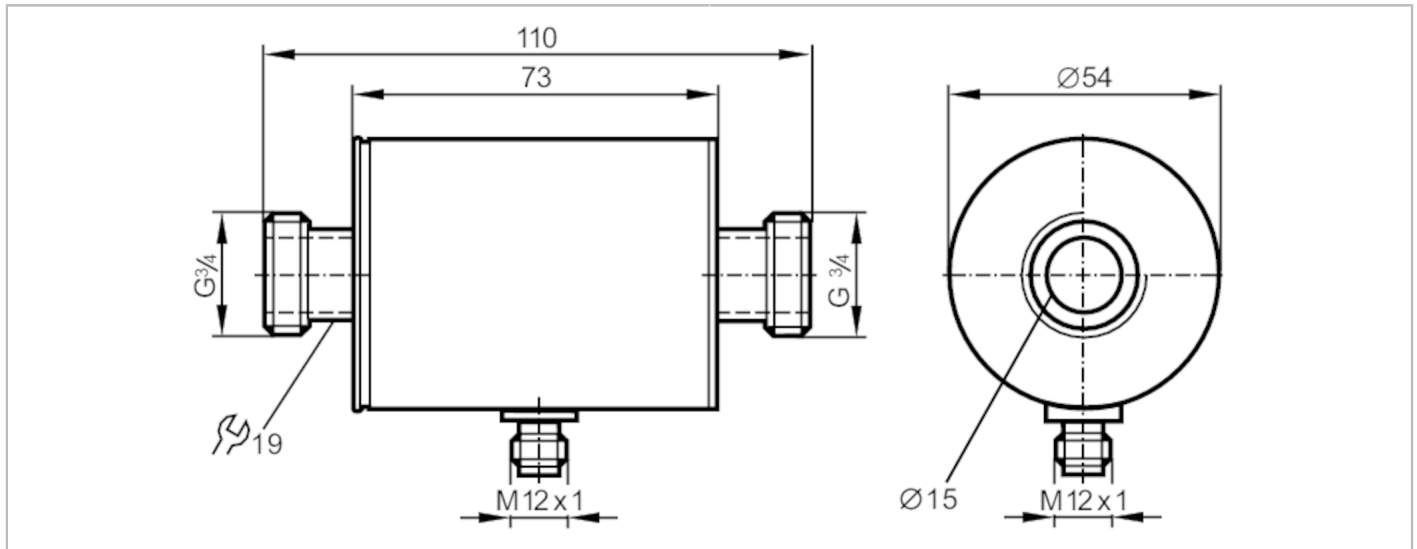


SM7050



Magnetic-inductive flow meter

SMR34GGX10KG/US-100



Product characteristics

Number of inputs and outputs	Number of analog outputs: 1
Measuring range [l/min]	0.2...50
Process connection	threaded connection G 3/4 DN20 flat seal

Application

System	gold-plated contacts
Application	for industrial applications
Installation	connection to pipe by means of an adapter
Media	Conductive liquids; water; water-based media
Note on media	conductivity: $\geq 20 \mu\text{S/cm}$ viscosity: $< 70 \text{ mm}^2/\text{s}$ (40 °C)
Medium temperature [°C]	-10...70
Pressure rating [bar]	16
Pressure rating [MPa]	1.6
MAWP (for applications according to CRN) [bar]	11.2

Electrical data

Operating voltage [V]	18...30 DC; (to SELV/PELV)
Current consumption [mA]	95; (24 V)
Protection class	III
Reverse polarity protection	yes
Power-on delay time [s]	5

Inputs / outputs

Number of inputs and outputs	Number of analog outputs: 1
------------------------------	-----------------------------

Outputs

Total number of outputs	1
Output signal	analog signal; IO-Link; (configurable)
Permanent current rating of switching output DC [mA]	250

SM7050



Magnetic-inductive flow meter

SMR34GGX10KG/US-100

Number of analog outputs		1
Analog current output	[mA]	4...20
Max. load	[Ω]	500
Overload protection		yes

Measuring/setting range

Measuring range	[l/min]	0.2...50
-----------------	---------	----------

Accuracy / deviations

Flow monitoring		
Accuracy (in the measuring range)		± (0,8 % MW + 0,5 % MEW)
Repeatability		± 0,2% MEW

Reaction times

Flow monitoring		
Response time	[s]	0.15; (dAP = 0, T19)

Interfaces

Communication interface		IO-Link
Transmission type		COM2 (38,4 kBaud)
IO-Link revision		1.1
SDCI standard		IEC 61131-9
Profiles		Smart Sensor: Process Data Variable; Device Identification, Device Diagnosis
SIO mode		yes
Required master port class		A
Process data analog		2
Min. process cycle time	[ms]	3
Supported DeviceIDs	Type of operation	DeviceID
	default	574

Operating conditions

Ambient temperature	[°C]	-10...60
Storage temperature	[°C]	-25...80
Protection		IP 67

Tests / approvals

EMC	DIN EN 60947-5-9	
CPA approval	model number	001MI
	accuracy class	-
	maximum allowable error	± 1,5 % FS
	Q (min)	0,01 m³/h
	Q (t)	-
	Q (max)	3 m³/h
Shock resistance	DIN IEC 68-2-27	20 g (11 ms)
Vibration resistance	DIN IEC 68-2-6	5 g (10...2000 Hz)
MTTF	[years]	145
Pressure equipment directive	sound engineering practice; can be used for group 2 fluids; group 1 fluids on request	

Mechanical data

Weight	[g]	517.55
--------	-----	--------

SM7050



Magnetic-inductive flow meter

SMR34GGX10KG/US-100

Material	stainless steel (1.4404 / 316L); PBT-GF20; FKM; TPE
Materials (wetted parts)	stainless steel (1.4404 / 316L); PEEK; FKM
Process connection	threaded connection G 3/4 DN20 flat seal

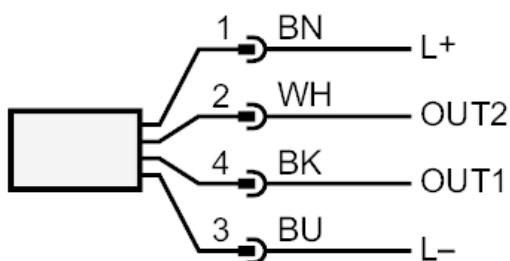
Remarks	
Remarks	MW = Measured value MEW = Final value of the measuring range
Pack quantity	1 pcs.

Electrical connection

Connector: 1 x M12; coding: A; Contacts: gold-plated



Connection



OUT1:	IO-Link
OUT2:	analog output
	Core colors :
BN =	brown
WH =	white
BK =	black
BU =	blue

SM7050

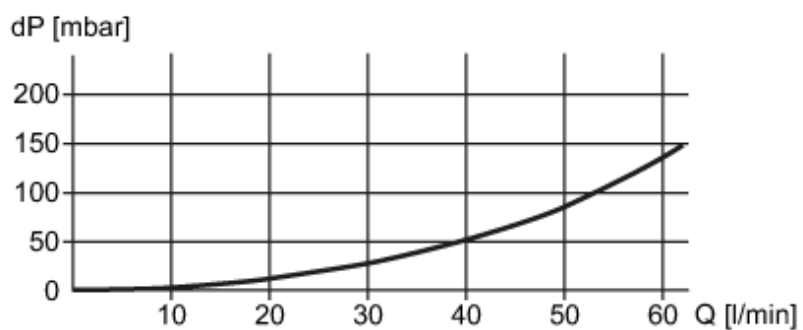
Magnetic-inductive flow meter

SMR34GGX10KG/US-100



Diagrams and graphs

Pressure loss



dP Pressure loss

Q volumetric flow quantity