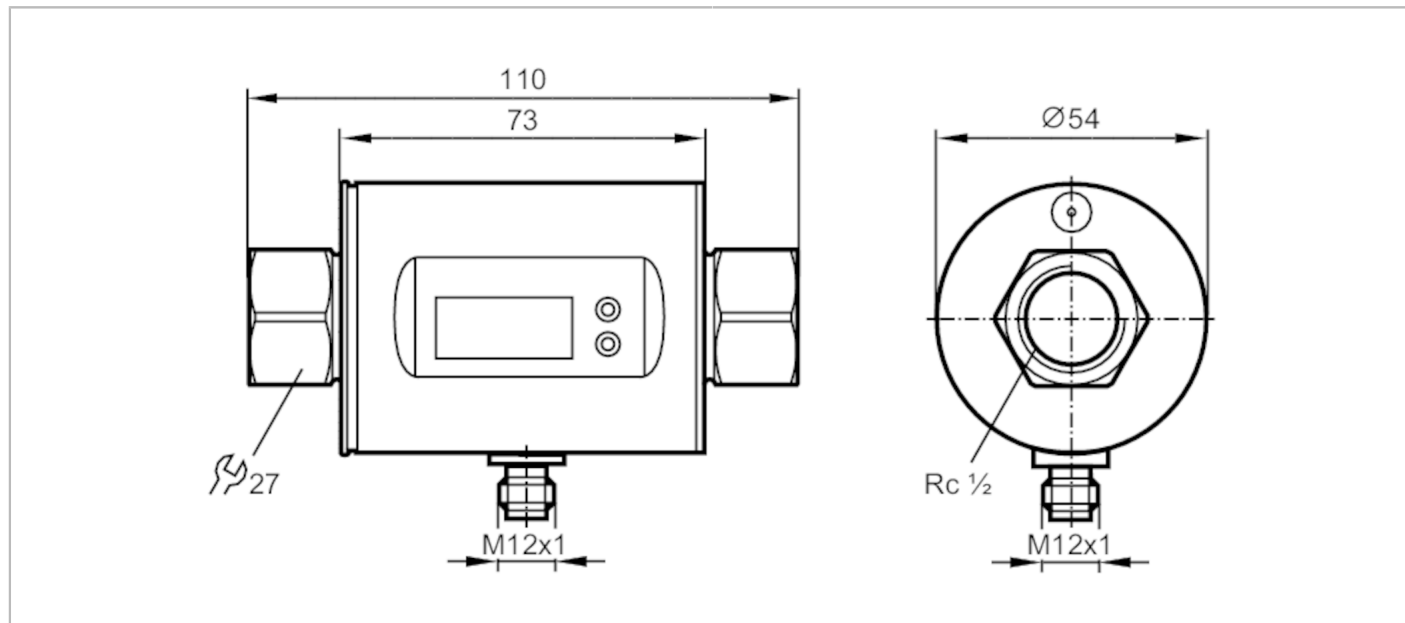


# SM6500



## Magnetic-inductive flow meter

SMK12GGXFRKG/US-100



### Product characteristics

Number of inputs and outputs	Number of digital outputs: 2; Number of analog outputs: 1	
Measuring range	0.1...25 l/min	0.005...1.5 m <sup>3</sup> /h
Process connection	threaded connection Rc 1/2 Internal thread DN15	

### Application

System	gold-plated contacts	
Application	Totalizer function; for industrial applications	
Media	Conductive liquids; water; water-based media	
Note on media	conductivity: ≥ 20 µS/cm viscosity: < 70 mm <sup>2</sup> /s (40 °C)	
Medium temperature [°C]	-10...70	
Pressure rating [bar]	16	
Pressure rating [MPa]	1.6	

### Electrical data

Operating voltage [V]	18...30 DC; (to SELV/PELV)	
Current consumption [mA]	95; (24 V)	
Protection class	III	
Reverse polarity protection	yes	
Power-on delay time [s]	5	

### Inputs / outputs

Number of inputs and outputs	Number of digital outputs: 2; Number of analog outputs: 1	
------------------------------	---	--

### Inputs

Inputs	counter reset	
--------	---------------	--

### Outputs

Total number of outputs	2	
Output signal	switching signal; analog signal; pulse signal; IO-Link; (configurable)	

# SM6500



## Magnetic-inductive flow meter

SMK12GGXFRKG/US-100

Electrical design		PNP/NPN
Number of digital outputs		2
Output function		normally open / closed; (configurable)
Max. voltage drop switching output DC	[V]	2
Permanent current rating of switching output DC	[mA]	200
Number of analog outputs		1
Analog current output	[mA]	4...20; (scalable)
Max. load	[Ω]	500
Analog voltage output	[V]	0...10; (scalable)
Min. load resistance	[Ω]	2000
Pulse output		flow rate meter
Short-circuit protection		yes
Type of short-circuit protection		yes (non-latching)
Overload protection		yes

### Measuring/setting range

Measuring range	0.1...25 l/min	0.005...1.5 m³/h
Display range	-30...30 l/min	-1.8...1.8 m³/h
Resolution	0.02 l/min	0.002 m³/h
Set point SP	0.25...25 l/min	0.015...1.5 m³/h
Reset point rP	0.1...24.9 l/min	0.005...1.495 m³/h
Analog start point ASP	0...20 l/min	0...1.2 m³/h
Analog end point AEP	5...25 l/min	0.3...1.5 m³/h
In steps of	0.02 l/min	0.002 m³/h

### Volumetric flow quantity monitoring

Pulse value		0.00001...30 000 m³
Pulse length	[s]	0,01...2

### Temperature monitoring

Measuring range	[°C]	-20...80
Resolution	[°C]	0.2
Set point SP	[°C]	-19.2...80
Reset point rP	[°C]	-19.6...79.6
Analog start point	[°C]	-20...60
Analog end point	[°C]	0...80
In steps of	[°C]	0.2

### Accuracy / deviations

#### Flow monitoring

Accuracy (in the measuring range)		± (0,8 % MW + 0,5 % MEW)
Repeatability		± 0,2% MEW

#### Temperature monitoring

Accuracy	[K]	± 2,5 (Q > 1 l/min)
----------	-----	---------------------

# SM6500



## Magnetic-inductive flow meter

SMK12GGXFRKG/US-100

Reaction times		
Flow monitoring		
Response time	[s]	0.15; (dAP = 0, T19)
Delay time programmable dS, dr	[s]	0...50
Damping process value dAP	[s]	0...5
Temperature monitoring		
Dynamic response T05 / T09	[s]	T09 = 20 (Q > 1 l/min)
Software / programming		
Parameter setting options	Flow monitoring; quantity meter; Preset counter; Temperature monitoring; hysteresis / window; normally open / closed; switching logic; current/voltage/pulse output; Start-up delay; display can be deactivated; Display unit	
Interfaces		
Communication interface	IO-Link	
Transmission type	COM2 (38,4 kBaud)	
IO-Link revision	1.1	
SDCI standard	IEC 61131-9	
Profiles	Smart Sensor: Process Data Variable; Device Identification, Device Diagnosis	
SIO mode	yes	
Required master port class	A	
Process data analog	3	
Process data binary	2	
Min. process cycle time	[ms]	5
Supported DeviceIDs	<b>Type of operation</b>	<b>DeviceID</b>
	default	569
Operating conditions		
Ambient temperature	[°C]	-10...60
Storage temperature	[°C]	-25...80
Protection	IP 67	
Tests / approvals		
EMC	DIN EN 60947-5-9	
CPA approval	model number	001MI
	accuracy class	-
	maximum allowable error	± 1,5 % FS
	Q (min)	0,005 m³/h
	Q (t)	-
	Q (max)	1,5 m³/h
Shock resistance	DIN IEC 68-2-27	20 g (11 ms)
Vibration resistance	DIN IEC 68-2-6	5 g (10...2000 Hz)
MTTF	[years]	145
UL approval	UL approval number	I010
Pressure equipment directive	sound engineering practice; can be used for group 2 fluids; group 1 fluids on request	
Mechanical data		
Weight	[g]	580.5
Material	stainless steel (1.4404 / 316L); PBT-GF20; PC; FKM; TPE	

# SM6500



## Magnetic-inductive flow meter

SMK12GGXFRKG/US-100

Materials (wetted parts)	stainless steel (1.4404 / 316L); PEEK; EPDM
Process connection	threaded connection Rc 1/2 Internal thread DN15

### Displays / operating elements

Display	Display unit	6 x LED, green (l/min, m <sup>3</sup> /h, l, m <sup>3</sup> , 10 <sup>3</sup> , °C)
	Switching status	2 x LED, yellow
	Measured values	alphanumeric display, 4-digit
	Programming	alphanumeric display, 4-digit

### Remarks

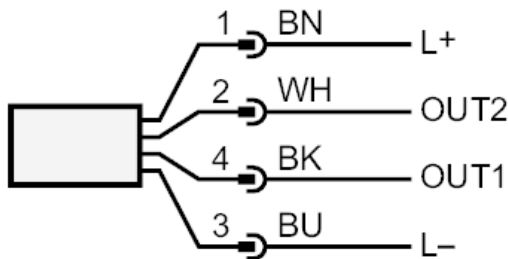
Remarks	MW = Measured value
	MEW = Final value of the measuring range
Pack quantity	1 pcs.

### Electrical connection

Connector: 1 x M12; coding: A; Contacts: gold-plated



### Connection



- OUT1:
- Colors to DIN EN 60947-5-2
  - Switching output Volumetric flow quantity monitoring
  - Pulse output quantity meter
  - signal output Preset counter
  - IO-Link
- OUT2:
- Switching output Volumetric flow quantity monitoring
  - Switching output Temperature monitoring
  - analog output Volumetric flow quantity monitoring
  - analog output Temperature monitoring
  - Input counter reset
  - Core colors :
- BK = black  
 BN = brown  
 BU = blue  
 WH = white

# SM6500

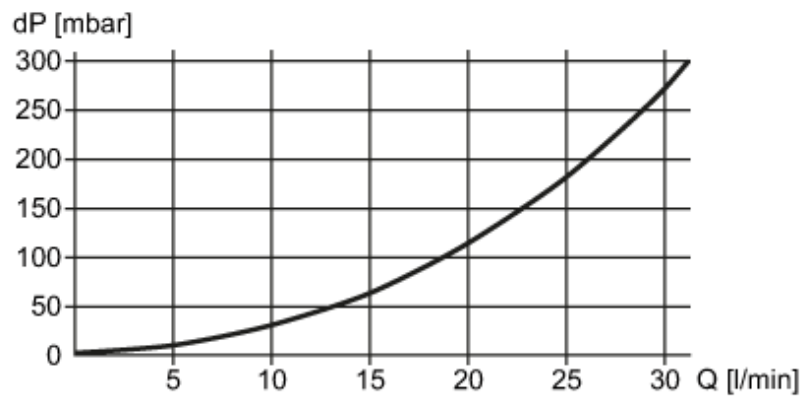


## Magnetic-inductive flow meter

SMK12GGXFRKG/US-100

### Diagrams and graphs

Pressure loss



dP Pressure loss

Q volumetric flow quantity