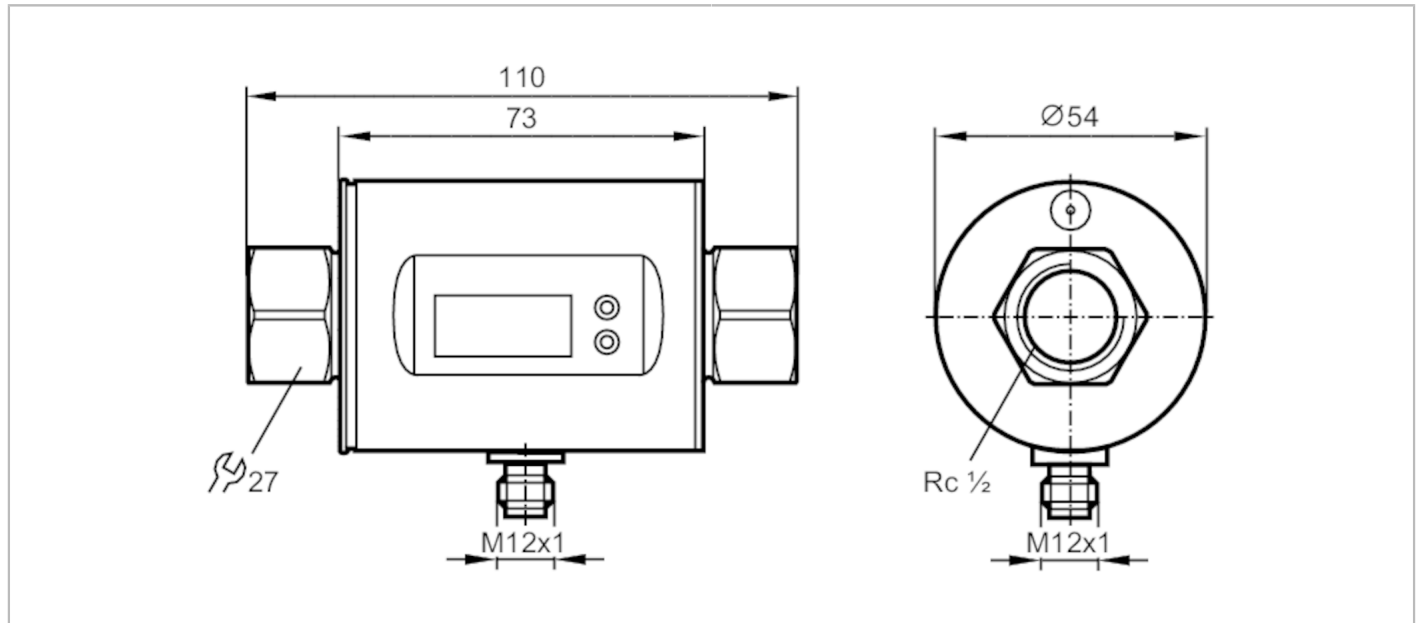


# SM6404



## Magnetic-inductive flow meter

SMK12GGX50KG/US-100



Product characteristics	
Number of inputs and outputs	Number of analog outputs: 2
Measuring range	0.1...25 l/min      0.03...6.6 gpm
Process connection	threaded connection Rc 1/2 Internal thread DN15
Application	
System	gold-plated contacts
Application	for industrial applications
Media	Conductive liquids; water; water-based media
Note on media	conductivity: $\geq 20 \mu\text{S/cm}$ viscosity: $< 70 \text{ mm}^2/\text{s}$ (40 °C)
Medium temperature [°C]	-10...70
Pressure rating [bar]	16
Pressure rating [MPa]	1.6
Electrical data	
Operating voltage [V]	20...30 DC; (to SELV/PELV)
Current consumption [mA]	120; (24 V)
Protection class	III
Reverse polarity protection	yes
Power-on delay time [s]	5
Inputs / outputs	
Number of inputs and outputs	Number of analog outputs: 2
Outputs	
Total number of outputs	2
Output signal	analog signal
Number of analog outputs	2
Analog current output [mA]	4...20; (scalable)

# SM6404



## Magnetic-inductive flow meter

SMK12GGX50KG/US-100

Max. load	[Ω]	500
Overload protection		yes

### Measuring/setting range

Measuring range	0.1...25 l/min	0.03...6.6 gpm
Display range	-30...30 l/min	-7.92...7.92 gpm
Resolution	0.05 l/min	0.01 gpm
Analog start point ASP	0...20 l/min	0...5.28 gpm
Analog end point AEP	5...25 l/min	1.32...6.6 gpm
In steps of	0.05 l/min	0.01 gpm

### Temperature monitoring

Measuring range	[°C]	-20...80
Resolution	[°C]	0.2
Analog start point	[°C]	-20...60
Analog end point	[°C]	0...80
In steps of	[°C]	0.2

### Accuracy / deviations

#### Flow monitoring

Accuracy (in the measuring range)		± (2 % MW + 0,5 % MEW)
Repeatability		± 0,2 % MEW

#### Temperature monitoring

Accuracy	[K]	± 2,5 (Q > 1 l/min)
----------	-----	---------------------

### Reaction times

#### Flow monitoring

Response time	[s]	0.15; (dAP = 0, T19)
Damping process value dAP	[s]	0...3

#### Temperature monitoring

Dynamic response T05 / T09	[s]	T09 = 20 (Q > 1 l/min)
----------------------------	-----	------------------------

### Operating conditions

Ambient temperature	[°C]	-10...60
Storage temperature	[°C]	-25...80
Protection		IP 67

### Tests / approvals

EMC	DIN EN 60947-5-9	500 V withstand voltage (V DC)
CPA approval	model number	008MI
	accuracy class	-
	maximum allowable error	± 2,5 % FS
	Q (min)	0,005 m <sup>3</sup> /h
	Q (t)	-
	Q (max)	1,5 m <sup>3</sup> /h
Shock resistance	DIN IEC 68-2-27	20 g (11 ms)
Vibration resistance	DIN IEC 68-2-6	5 g (10...2000 Hz)
MTTF	[years]	175
UL approval	UL approval number	I011
Pressure equipment directive	sound engineering practice; can be used for group 2 fluids; group 1 fluids on request	

# SM6404



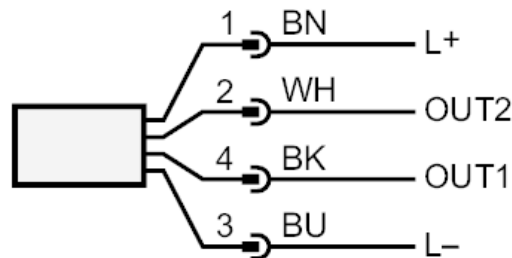
## Magnetic-inductive flow meter

SMK12GGX50KG/US-100

Mechanical data		
Weight	[g]	515
Material		stainless steel (1.4404 / 316L); PBT-GF20; PC; FKM; TPE
Materials (wetted parts)		stainless steel (1.4404 / 316L); PEEK; FKM
Process connection		threaded connection Rc 1/2 Internal thread DN15
Displays / operating elements		
Display	Display unit	6 x LED, green (l/min, m <sup>3</sup> /h, gpm, gph, °C, °F)
	Measured values	alphanumeric display, 4-digit
	Programming	alphanumeric display, 4-digit
Remarks		
Remarks		MW = Measured value
		MEW = Final value of the measuring range
Pack quantity		1 pcs.
Electrical connection		
Connector: 1 x M12; coding: A; Contacts: gold-plated		



### Connection



OUT1: analog output Temperature monitoring  
 OUT2: analog output Volumetric flow quantity monitoring  
 Core colors :  
 BK = black  
 BN = brown  
 BU = blue  
 WH = white

# SM6404

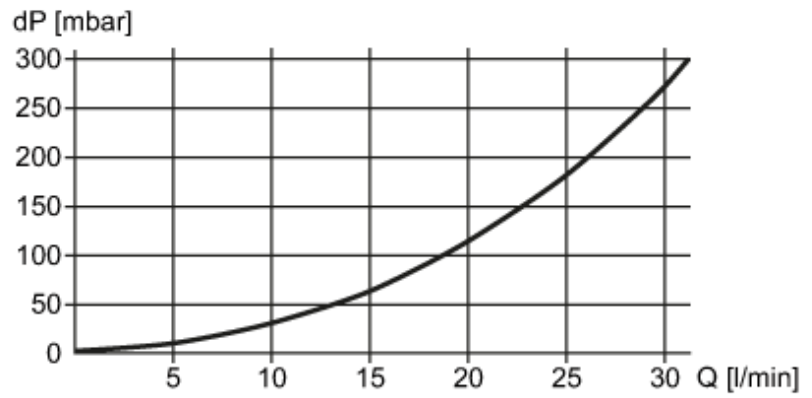


## Magnetic-inductive flow meter

SMK12GGX50KG/US-100

### Diagrams and graphs

Pressure loss



dP Pressure loss

Q volumetric flow quantity