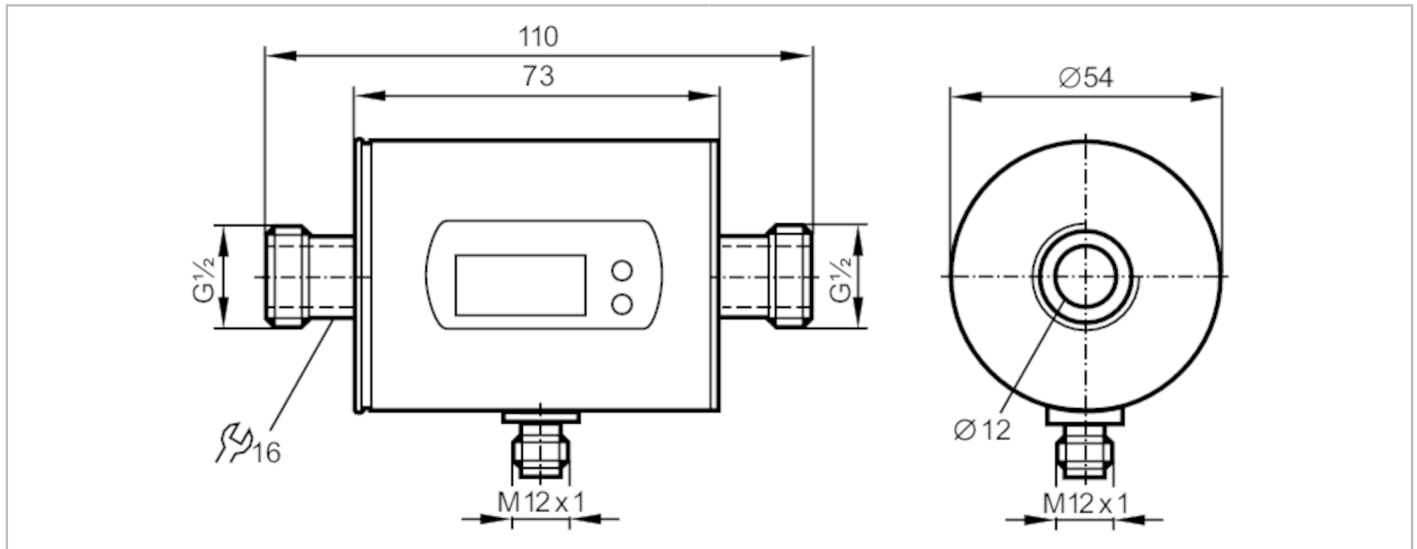


# SM6001



## Magnetic-inductive flow meter

SMR12GGXFRKG/US-100



### Product characteristics

|                              |                                                           |                |
|------------------------------|-----------------------------------------------------------|----------------|
| Number of inputs and outputs | Number of digital outputs: 2; Number of analog outputs: 1 |                |
| Measuring range              | 1.5...396 gph                                             | 0.03...6.6 gpm |
| Process connection           | threaded connection G 1/2 DN15 flat seal                  |                |

### Application

|                                          |                                                                                           |          |
|------------------------------------------|-------------------------------------------------------------------------------------------|----------|
| System                                   | gold-plated contacts                                                                      |          |
| Application                              | Totalizer function; for industrial applications                                           |          |
| Installation                             | connection to pipe by means of an adapter                                                 |          |
| Media                                    | Conductive liquids; water; water-based media                                              |          |
| Note on media                            | conductivity: $\geq 20 \mu\text{S/cm}$<br>viscosity: $< 70 \text{ mm}^2/\text{s}$ (40 °C) |          |
| Medium temperature                       | [°F]                                                                                      | 14...158 |
| Pressure rating                          | [bar]                                                                                     | 16       |
| Pressure rating                          | [psi]                                                                                     | 232      |
| MAWP (for applications according to CRN) | [bar]                                                                                     | 17.7     |

### Electrical data

|                             |      |                            |
|-----------------------------|------|----------------------------|
| Operating voltage           | [V]  | 18...30 DC; (to SELV/PELV) |
| Current consumption         | [mA] | 95; (24 V)                 |
| Min. insulation resistance  | [MΩ] | 100; (500 V DC)            |
| Protection class            |      | III                        |
| Reverse polarity protection |      | yes                        |
| Power-on delay time         | [s]  | 5                          |

### Inputs / outputs

|                              |                                                           |
|------------------------------|-----------------------------------------------------------|
| Number of inputs and outputs | Number of digital outputs: 2; Number of analog outputs: 1 |
|------------------------------|-----------------------------------------------------------|

### Inputs

|        |               |
|--------|---------------|
| Inputs | counter reset |
|--------|---------------|

# SM6001



## Magnetic-inductive flow meter

SMR12GGXFRKG/US-100

| Outputs                                         |                    |                                                                        |
|-------------------------------------------------|--------------------|------------------------------------------------------------------------|
| Total number of outputs                         |                    | 2                                                                      |
| Output signal                                   |                    | switching signal; analog signal; pulse signal; IO-Link; (configurable) |
| Electrical design                               |                    | PNP/NPN                                                                |
| Number of digital outputs                       |                    | 2                                                                      |
| Output function                                 |                    | normally open / closed; (configurable)                                 |
| Max. voltage drop switching output DC           | [V]                | 2                                                                      |
| Permanent current rating of switching output DC | [mA]               | 200                                                                    |
| Number of analog outputs                        |                    | 1                                                                      |
| Analog current output                           | [mA]               | 4...20; (scalable)                                                     |
| Max. load                                       | [Ω]                | 500                                                                    |
| Analog voltage output                           | [V]                | 0...10; (scalable)                                                     |
| Min. load resistance                            | [Ω]                | 2000                                                                   |
| Pulse output                                    |                    | flow rate meter                                                        |
| Short-circuit protection                        |                    | yes                                                                    |
| Type of short-circuit protection                |                    | yes (non-latching)                                                     |
| Overload protection                             |                    | yes                                                                    |
| Measuring/setting range                         |                    |                                                                        |
| Measuring range                                 | 1.5...396 gph      | 0.03...6.6 gpm                                                         |
| Display range                                   | -475.5...475.5 gph | -7.925...7.925 gpm                                                     |
| Resolution                                      | 0.5 gph            | 0.01 gpm                                                               |
| Set point SP                                    | 3.5...396.5 gph    | 0.06...6.6 gpm                                                         |
| Reset point rP                                  | 1.5...394 gph      | 0.03...6.57 gpm                                                        |
| Analog start point ASP                          | 0...318 gph        | 0...5.3 gpm                                                            |
| Analog end point AEP                            | 78...396 gph       | 1.3...6.6 gpm                                                          |
| In steps of                                     | 0.5 gph            | 0.01 gpm                                                               |
| Volumetric flow quantity monitoring             |                    |                                                                        |
| Pulse value                                     |                    | 0.01...30 000 000 gal                                                  |
| Pulse length                                    | [s]                | 0,01...2                                                               |
| Temperature monitoring                          |                    |                                                                        |
| Measuring range                                 | [°F]               | -4...176                                                               |
| Resolution                                      | [°F]               | 0.1                                                                    |
| Set point SP                                    | [°F]               | -2.5...176                                                             |
| Reset point rP                                  | [°F]               | -3.5...175                                                             |
| Analog start point                              | [°F]               | -4...140.5                                                             |
| Analog end point                                | [°F]               | 31.5...176                                                             |
| In steps of                                     | [°F]               | 0.5                                                                    |
| Accuracy / deviations                           |                    |                                                                        |
| Flow monitoring                                 |                    |                                                                        |
| Accuracy (in the measuring range)               |                    | ± (0,8 % MW + 0,5 % MEW)                                               |
| Repeatability                                   |                    | ± 0,2% MEW                                                             |

# SM6001



## Magnetic-inductive flow meter

SMR12GGXFRKG/US-100

|                                |                                                                                                                                                                                                                               |                         |
|--------------------------------|-------------------------------------------------------------------------------------------------------------------------------------------------------------------------------------------------------------------------------|-------------------------|
| Temperature monitoring         |                                                                                                                                                                                                                               |                         |
| Accuracy                       | [K]                                                                                                                                                                                                                           | ± 2,5 (Q > 0,26 gpm)    |
| <b>Reaction times</b>          |                                                                                                                                                                                                                               |                         |
| Flow monitoring                |                                                                                                                                                                                                                               |                         |
| Response time                  | [s]                                                                                                                                                                                                                           | 0.15; (dAP = 0, T19)    |
| Delay time programmable dS, dr | [s]                                                                                                                                                                                                                           | 0...50                  |
| Damping process value dAP      | [s]                                                                                                                                                                                                                           | 0...5                   |
| Temperature monitoring         |                                                                                                                                                                                                                               |                         |
| Dynamic response T05 / T09     | [s]                                                                                                                                                                                                                           | T09 = 20 (Q > 0,26 gpm) |
| <b>Software / programming</b>  |                                                                                                                                                                                                                               |                         |
| Parameter setting options      | Flow monitoring; quantity meter; Preset counter; Temperature monitoring; hysteresis / window; normally open / closed; switching logic; current/voltage/pulse output; Start-up delay; display can be deactivated; Display unit |                         |
| <b>Interfaces</b>              |                                                                                                                                                                                                                               |                         |
| Communication interface        | IO-Link                                                                                                                                                                                                                       |                         |
| Transmission type              | COM2 (38,4 kBaud)                                                                                                                                                                                                             |                         |
| IO-Link revision               | 1.1                                                                                                                                                                                                                           |                         |
| SDCI standard                  | IEC 61131-9                                                                                                                                                                                                                   |                         |
| Profiles                       | Smart Sensor: Process Data Variable; Device Identification, Device Diagnosis                                                                                                                                                  |                         |
| SIO mode                       | yes                                                                                                                                                                                                                           |                         |
| Required master port class     | A                                                                                                                                                                                                                             |                         |
| Process data analog            | 3                                                                                                                                                                                                                             |                         |
| Process data binary            | 2                                                                                                                                                                                                                             |                         |
| Min. process cycle time        | [ms]                                                                                                                                                                                                                          | 5                       |
| Supported DeviceIDs            | <b>Type of operation</b>                                                                                                                                                                                                      | <b>DeviceID</b>         |
|                                | default                                                                                                                                                                                                                       | 570                     |
| <b>Operating conditions</b>    |                                                                                                                                                                                                                               |                         |
| Ambient temperature            | [°F]                                                                                                                                                                                                                          | 14...140                |
| Storage temperature            | [°F]                                                                                                                                                                                                                          | -13...176               |
| Protection                     |                                                                                                                                                                                                                               | IP 67                   |
| <b>Tests / approvals</b>       |                                                                                                                                                                                                                               |                         |
| EMC                            | DIN EN 60947-5-9                                                                                                                                                                                                              |                         |
| Shock resistance               | DIN IEC 68-2-27                                                                                                                                                                                                               | 20 g (11 ms)            |
| Vibration resistance           | DIN IEC 68-2-6                                                                                                                                                                                                                | 5 g (10...2000 Hz)      |
| MTTF                           | [years]                                                                                                                                                                                                                       | 160                     |
| Pressure equipment directive   | sound engineering practice; can be used for group 2 fluids; group 1 fluids on request                                                                                                                                         |                         |
| <b>Mechanical data</b>         |                                                                                                                                                                                                                               |                         |
| Weight                         | [g]                                                                                                                                                                                                                           | 546                     |
| Material                       | stainless steel (1.4404 / 316L); PBT-GF20; PC; FKM; TPE                                                                                                                                                                       |                         |
| Materials (wetted parts)       | stainless steel (1.4404 / 316L); PEEK; FKM                                                                                                                                                                                    |                         |
| Process connection             | threaded connection G 1/2 DN15 flat seal                                                                                                                                                                                      |                         |

# SM6001



## Magnetic-inductive flow meter

SMR12GGXFRKG/US-100

| Displays / operating elements |                  |                                                                               |
|-------------------------------|------------------|-------------------------------------------------------------------------------|
| Display                       | Display unit     | 6 x LED, green (gpm, gph, gal, °F, 10 <sup>3</sup> , 1000 x 10 <sup>3</sup> ) |
|                               | Switching status | 2 x LED, yellow                                                               |
|                               | Measured values  | alphanumeric display, 4-digit                                                 |
|                               | Programming      | alphanumeric display, 4-digit                                                 |

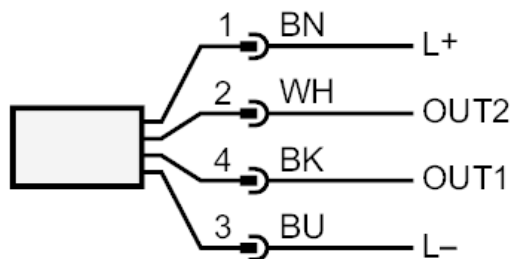
| Remarks       |                                                                 |
|---------------|-----------------------------------------------------------------|
| Remarks       | MW = Measured value<br>MEW = Final value of the measuring range |
| Pack quantity | 1 pcs.                                                          |

### Electrical connection

Connector: 1 x M12; coding: A; Contacts: gold-plated



### Connection



- OUT1: Colors to DIN EN 60947-5-2  
Switching output Volumetric flow quantity monitoring  
Pulse output quantity meter  
signal output Preset counter  
IO-Link
- OUT2: Switching output Volumetric flow quantity monitoring  
Switching output Temperature monitoring  
analog output Volumetric flow quantity monitoring  
analog output Temperature monitoring  
Input counter reset  
Core colors :
- BK = black  
BN = brown  
BU = blue  
WH = white

# SM6001

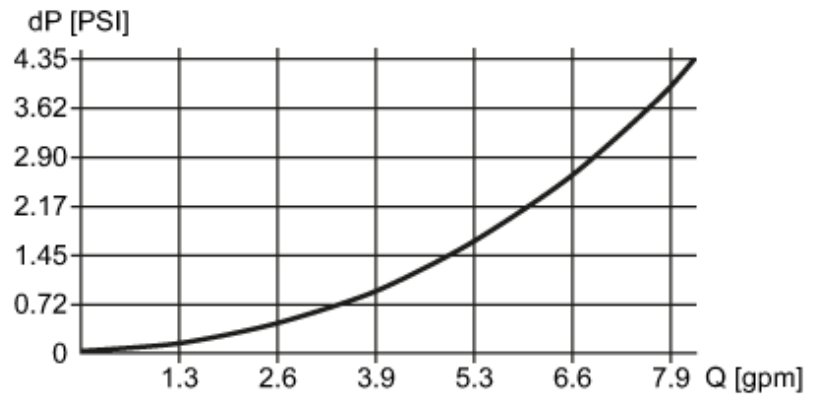


## Magnetic-inductive flow meter

SMR12GGXFRKG/US-100

### Diagrams and graphs

Pressure loss



dP Pressure loss

Q volumetric flow quantity