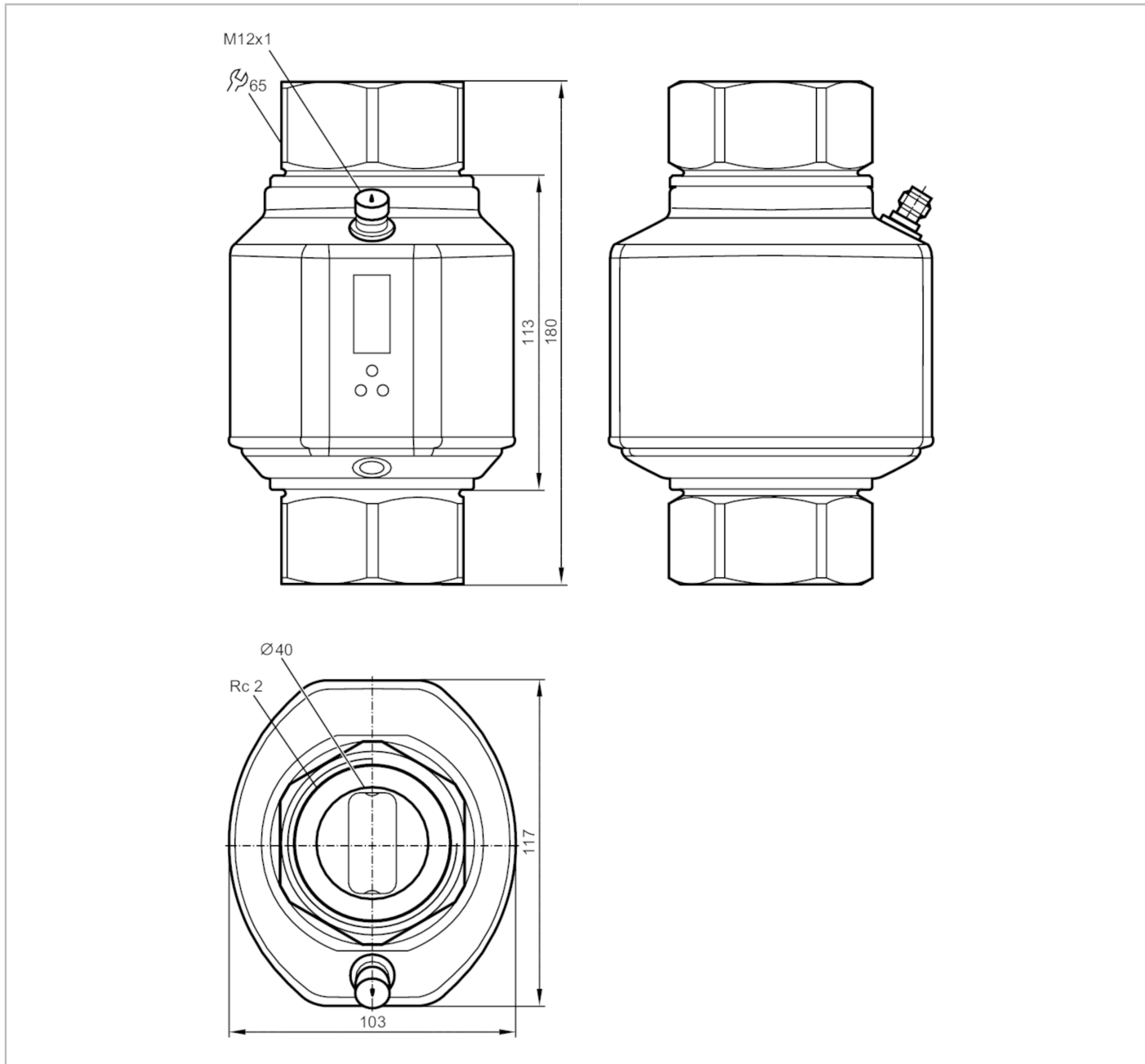


SM2404



Magnetic-inductive flow meter

SMK21XGX50KG/US-100



Product characteristics				
Number of inputs and outputs	Number of analog outputs: 2			
Measuring range	5...600 l/min	0.3...36 m ³ /h	80...9510 gph	1.3...158.5 gpm
Process connection	threaded connection Rc 2 Internal thread DN50			
Application				
System	gold-plated contacts			
Application	empty pipe detection; for industrial applications			
Media	Conductive liquids; water; water-based media			
Note on media	conductivity: ≥ 20 μS/cm			
	viscosity: < 70 mm ² /s (40 °C)			

SM2404



Magnetic-inductive flow meter

SMK21XGX50KG/US-100

Medium temperature	-10...90 °C	14...194 °F
Pressure rating [bar]	16	
Pressure rating [MPa]	1.6	
Pressure rating [psi]	232	

Electrical data		
Operating voltage [V]	18...32 DC; (to SELV/PELV)	
Current consumption [mA]	< 150	
Protection class	III	
Reverse polarity protection	yes	
Power-on delay time [s]	5	

Inputs / outputs	
Number of inputs and outputs	Number of analog outputs: 2

Outputs	
Total number of outputs	2
Output signal	analog signal
Number of analog outputs	2
Analog current output [mA]	4...20; (≤ 22 mA; scalable)
Max. load [Ω]	500

Measuring/setting range				
Measuring range	5...600 l/min	0.3...36 m ³ /h	80...9510 gph	1.3...158.5 gpm
Display range	-720...720 l/min	-43.2...43.2 m ³ /h	-11410...11410 gph	-190.2...190.2 gpm
Resolution	0.5 l/min	0.02 m ³ /h	5 gph	0.1 gpm
Analog start point ASP	0...480 l/min	0...28.8 m ³ /h	0...7610 gph	0...126.8 gpm
Analog end point AEP	120...600 l/min	7.2...36 m ³ /h	1900...9510 gph	31.7...158.5 gpm
Low flow cut-off LFC	< 15 l/min	< 0.9 m ³ /h	< 240 gph	< 4 gpm
In steps of	0.5 l/min	0.02 m ³ /h	5 gph	0.1 gpm
Measuring dynamics	1:120			

Temperature monitoring		
Measuring range	-20...80 °C	-4...176 °F
Display range	-40...100 °C	-40...212 °F
Resolution	0.2 °C	0.5 °F
Analog start point	-20...60 °C	-4...140 °F
Analog end point	0...80 °C	32...176 °F
In steps of	0.2 °C	0.5 °F

Accuracy / deviations	
Flow monitoring	
Accuracy (in the measuring range)	$\pm (0,8 \% MW + 0,5 \% MEW)$
Repeatability	$\pm 0,2\% MEW$

Temperature monitoring	
Temperature drift	$\pm 0,0333$ °C / K; $\pm 0,0599$ °F / K
Accuracy [K]	± 1 (25 °C; Q > 15 l/min) / ± 1 (77 °F; Q > 4 gpm)

SM2404

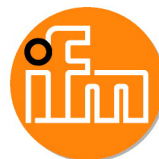


Magnetic-inductive flow meter

SMK21XGX50KG/US-100

Reaction times		
Flow monitoring		
Response time [s]		0.35; (dAP = 0)
Damping process value dAP [s]		0...5
Temperature monitoring		
Dynamic response T05 / T09 [s]		T09 = 3 (Q > 15 l/min) / T09 = 3 (Q > 4 gpm)
Software / programming		
Parameter setting options		display can be deactivated; Display unit; empty pipe detection
Operating conditions		
Ambient temperature	-10...60 °C	14...140 °F
Storage temperature	-25...80 °C	-13...176 °F
Protection		IP 65; IP 67
Tests / approvals		
EMC	DIN EN 60947-5-9	
CPA approval	model number	004MI
	accuracy class	-
	maximum allowable error	± 1,5 % FS
	Q (min)	0,3 m³/h
	Q (t)	-
	Q (max)	36 m³/h
	Medium temperature	-10...70 °C
	Medium temperature	14...158 °F
Shock resistance	DIN EN 60068-2-27	20 g (11 ms)
Vibration resistance	DIN EN 60068-2-6	5 g (10...2000 Hz)
MTTF [years]		85
UL approval	UL approval number	I009
Pressure equipment directive		sound engineering practice; can be used for group 2 fluids; group 1 fluids on request
Mechanical data		
Weight [g]		2725
Material		stainless steel (1.4404 / 316L); stainless steel (1.4571/316Ti); PEI; FKM; PBT-GF20; TPE-U
Materials (wetted parts)		stainless steel (1.4404 / 316L); stainless steel (1.4571/316Ti); PEEK; FKM
Process connection		threaded connection Rc 2 Internal thread DN50
Displays / operating elements		
Display	Display unit	6 x LED, green (l/min, m³/h, gpm, gph, °C, °F)
	Function display	1 x LED, yellow (10³)
	Measured values	alphanumeric display, 4-digit
	Programming	alphanumeric display, 4-digit
Display unit		l/min; m³/h; gpm; gph; °C; °F
Accessories		
Items supplied		Label
Remarks		
Remarks		MW = Measured value MEW = Final value of the measuring range
Pack quantity		1 pcs.

SM2404



Magnetic-inductive flow meter

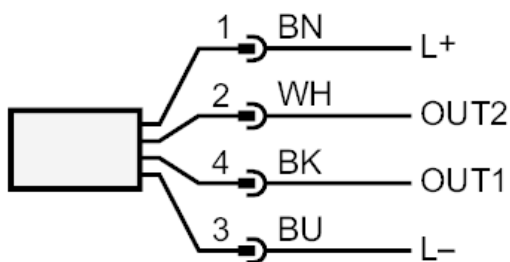
SMK21XGX50KG/US-100

Electrical connection

Connector: 1 x M12; coding: A; Contacts: gold-plated



Connection



OUT1: analog output Temperature monitoring
OUT2: analog output Volumetric flow quantity monitoring
Core colors :
BK = black
BN = brown
BU = blue
WH = white

SM2404



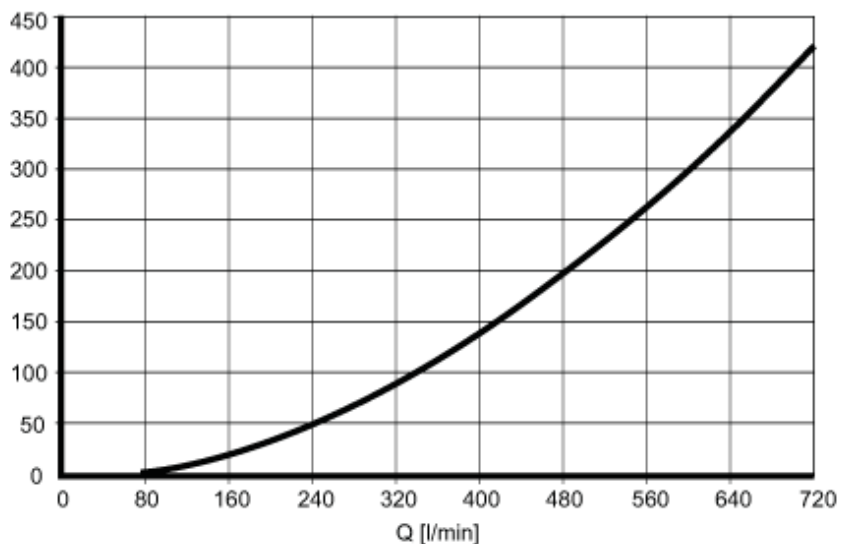
Magnetic-inductive flow meter

SMK21XGX50KG/US-100

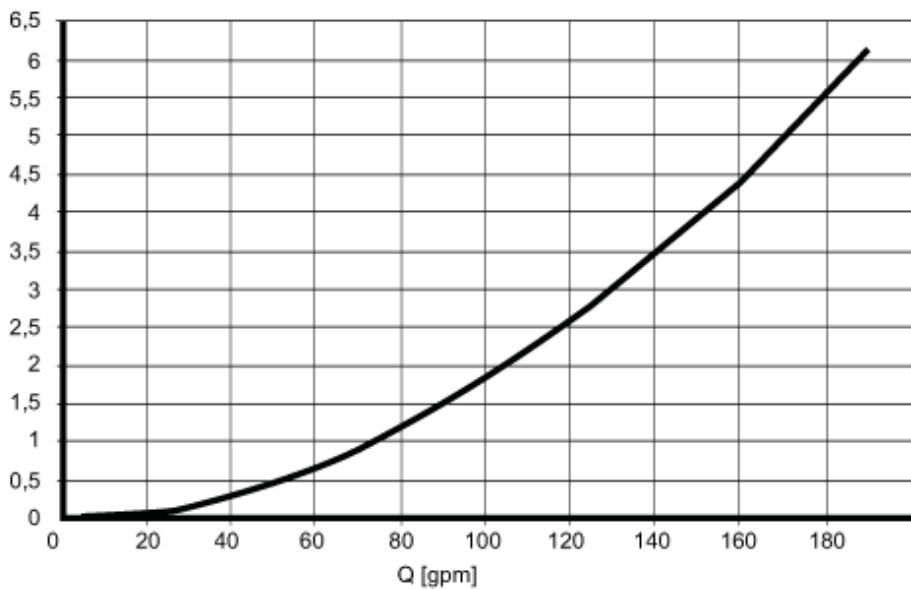
Diagrams and graphs

Pressure loss

dP [mbar] DN50



dP [psi]



dP Pressure loss

Q volumetric flow quantity