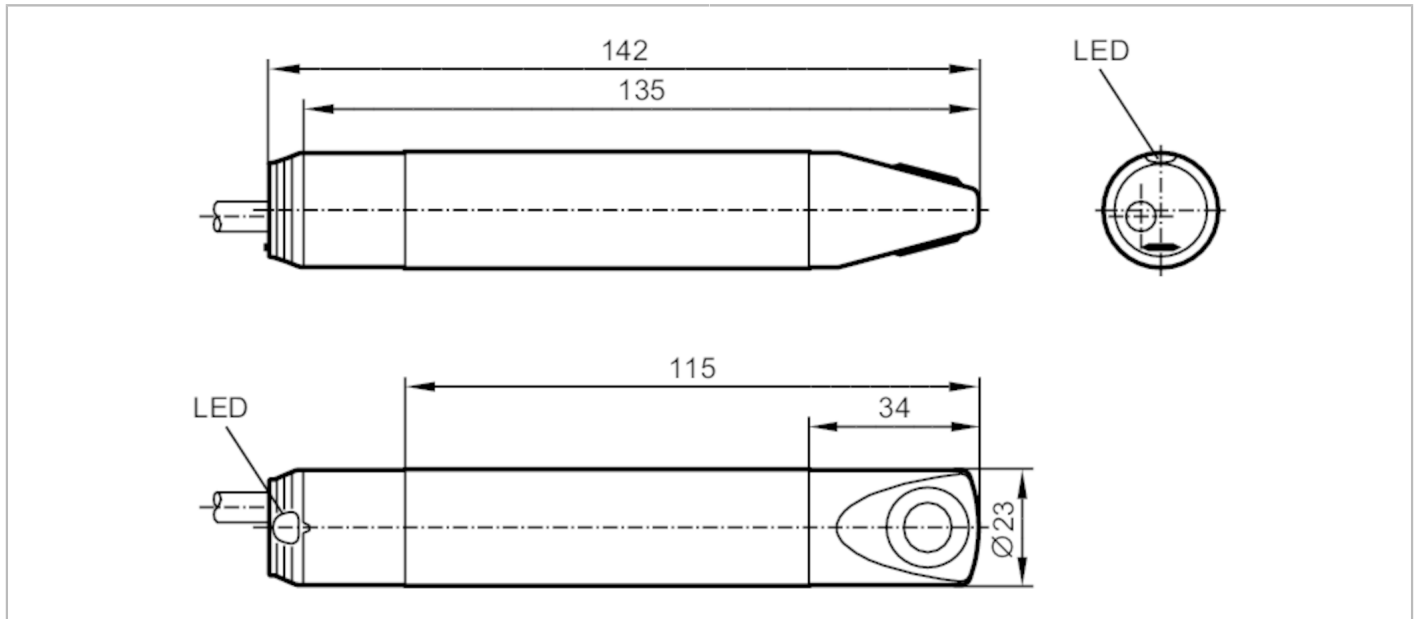


# SL5204



## Airflow monitor

SLG23XEE40KG/2M



Product characteristics	
Number of inputs and outputs	Number of analog outputs: 1
Process connection	Ø 23 mm
Application	
Medium temperature [°C]	20...40
Pressure rating [bar]	1
Electrical data	
Operating voltage tolerance [%]	-10...10
Operating voltage [V]	24 DC
Current consumption [mA]	< 35
Min. insulation resistance [MΩ]	100; (500 V DC)
Power-on delay time [s]	90
Inputs / outputs	
Number of inputs and outputs	Number of analog outputs: 1
Outputs	
Total number of outputs	1
Output signal	analog signal
Number of analog outputs	1
Analog voltage output [V]	0...10
Measuring/setting range	
Flow range [cm/s]	200...3000
Note on flow range	= 1...10 V
Accuracy / deviations	
Max. temperature gradient of [K/min] medium	1

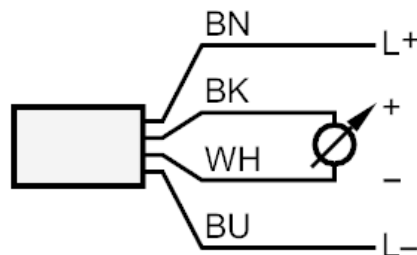
# SL5204



## Airflow monitor

SLG23XEE40KG/2M

Operating conditions		
Ambient temperature	[°C]	-10...40
Storage temperature	[°C]	-25...85
Protection		IP 65
Tests / approvals		
MTTF	[years]	727
Mechanical data		
Weight	[g]	195
Dimensions	[mm]	Ø 23 / L = 142
Material		housing: PBT; sensor surface: titanium
Materials (wetted parts)		PBT; titanium
Process connection		Ø 23 mm
Displays / operating elements		
Display	Power	LED, green
Accessories		
Items supplied		Mounting clamp: 1, E40048
Remarks		
Pack quantity		1 pcs.
Electrical connection		
Cable: 2 m, PUR; 4 x 0.5 mm <sup>2</sup> , PVC		
Connection		



	Core colors :
BK =	black
BN =	brown
BU =	blue
WH =	white