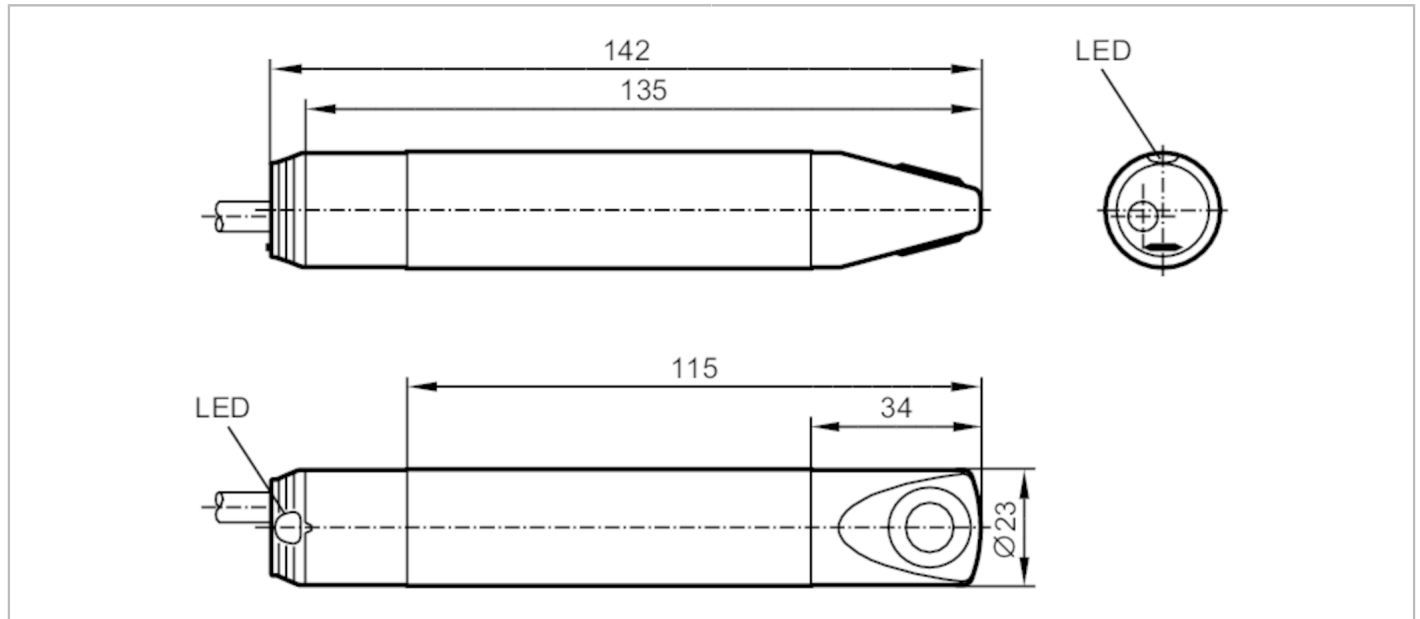


# SL5201



## Airflow monitor

SLG23XEE40KG/2M/BS



Product characteristics	
Number of inputs and outputs	Number of analog outputs: 1
Process connection	Ø 23 mm
Application	
System	gold-plated contacts
Medium temperature [°C]	35...65
Pressure rating [bar]	1
Electrical data	
Operating voltage tolerance [%]	-10...10
Operating voltage [V]	24 DC
Current consumption [mA]	< 35
Min. insulation resistance [MΩ]	100; (500 V DC)
Power-on delay time [s]	90
Inputs / outputs	
Number of inputs and outputs	Number of analog outputs: 1
Outputs	
Total number of outputs	1
Output signal	analog signal
Number of analog outputs	1
Analog voltage output [V]	0...10
Measuring/setting range	
Flow range [cm/s]	200...2000
Note on flow range	= 1...10 V
Accuracy / deviations	
Max. temperature gradient of [K/min] medium	1

# SL5201



## Airflow monitor

SLG23XEE40KG/2M/BS

Operating conditions		
Ambient temperature	[°C]	-10...50
Storage temperature	[°C]	-25...85
Max. relative air humidity	[%]	90
Protection		IP 65

Tests / approvals		
MTTF	[years]	726

Mechanical data		
Weight	[g]	219
Dimensions	[mm]	Ø 23 / L = 142
Material		housing: PBT; sensor surface: titanium
Materials (wetted parts)		PBT; titanium
Process connection		Ø 23 mm

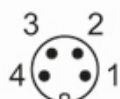
Displays / operating elements		
Display	Power	LED, green

Accessories		
Items supplied		Mounting clamp: 1, E40048

Remarks		
Pack quantity		1 pcs.

**Electrical connection**  
Cable: 2 m; 4 x 0.5 mm<sup>2</sup>

Connector: 1 x M16 (Binder 09-0309-00-04); coding: A; Contacts: gold-plated



### Connection

