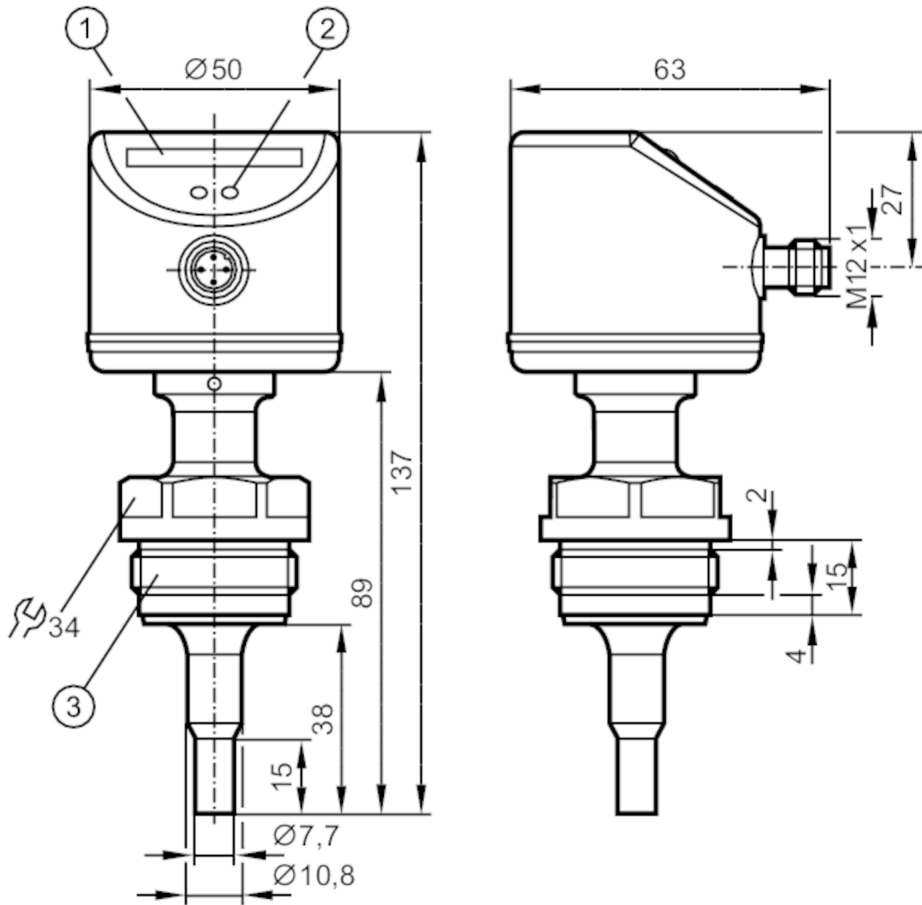


SI6700



Flow monitor

SIR11ABBFPKG/US-100-IPF



- 1 LED display
- 2 setting pushbutton
- 3 thread G1 Aseptoflex Vario



EC 1935/2004 EHEDG Certified

FCM



UK
CA

Product characteristics

Number of inputs and outputs	Number of digital outputs: 1
Process connection	G 1 Aseptoflex Vario

Application

System	gold-plated contacts
Application	hygienic systems
Medium temperature [°C]	-25...95; (for SIP process: ...140 °C)
Pressure rating [bar]	30

Electrical data

Operating voltage [V]	19...36 DC
Current consumption [mA]	< 60
Protection class	III
Reverse polarity protection	yes
Power-on delay time [s]	10

SI6700



Flow monitor

SIR11ABBFPG/US-100-IPF

Inputs / outputs	
Number of inputs and outputs	Number of digital outputs: 1
Outputs	
Total number of outputs	1
Output signal	switching signal
Electrical design	PNP
Number of digital outputs	1
Output function	normally open / closed; (configurable)
Max. voltage drop switching output DC [V]	2.5
Permanent current rating of switching output DC [mA]	250
Short-circuit protection	yes
Type of short-circuit protection	yes (non-latching)
Overload protection	yes
Measuring/setting range	
Probe length L [mm]	38
Liquids	
Setting range [cm/s]	3...300
Greatest sensitivity [cm/s]	3...100
Gases	
Setting range [cm/s]	200...3000
Greatest sensitivity [cm/s]	200...800
Accuracy / deviations	
Repeatability [cm/s]	1...5
Note on repeatability	for water 5...100 cm/s; 25 °C Factory setting
Temperature drift [cm/s x 1/K]	0.1; (for water 5...100 cm/s; 10...70 °C)
Max. temperature gradient of medium [K/min]	300
Switch point accuracy [cm/s]	± 2...± 10; (for water 5...100 cm/s; 25 °C; Factory setting)
Hysteresis [cm/s]	2...5; (for water 5...100 cm/s; 25 °C; Factory setting)
Reaction times	
Response time [s]	1...10
Software / programming	
Adjustment of the switch point	pushbuttons
Operating conditions	
Ambient temperature [°C]	-25...60
Protection	IP 67; IP 69K

SI6700



Flow monitor

SIR11ABBFPKG/US-100-IPF

Tests / approvals		
EMC	EN 61000-4-2 ESD	4 kV CD / 8 kV AD
	EN 61000-4-3 HF radiated	10 V/m
	EN 61000-4-4 Burst	2 kV
	EN 61000-4-6 HF conducted	10 V
Shock resistance	DIN IEC 68-2-27	50 g (11 ms)
Vibration resistance	DIN EN 60068-2-6	10 g (55...2000 Hz)
MTTF	[years]	298

Mechanical data		
Weight	[g]	433.5
Material	stainless steel (1.4404 / 316L); PC; PBT-GF20; EPDM/X; sealing: FKM	
Materials (wetted parts)	stainless steel (1.4435 / 316L); surface characteristics: Ra < 0,4 / Rz 4	
Process connection	G 1 Aseptoflex Vario	
Installation length EL	[mm]	54.8

Displays / operating elements		
Display	Function	10 x LED, three-color

Remarks		
Pack quantity	1 pcs.	

Electrical connection

Connector: 1 x M12; coding: A; Contacts: gold-plated



Connection

