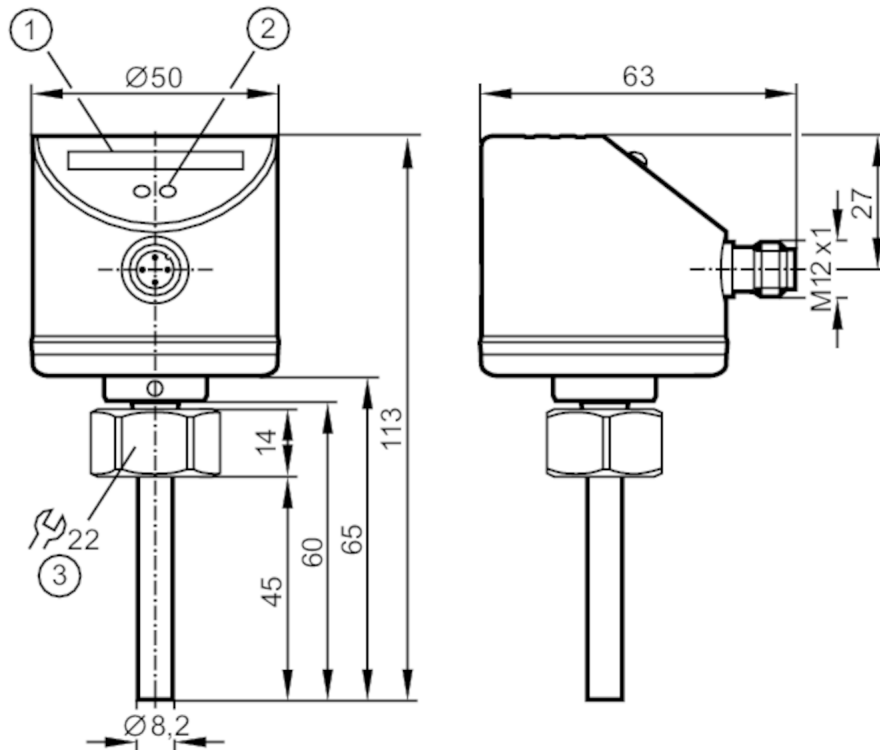


SI0558



Flow monitor

SID10XDBAKOA/US-100



- 1 LED display
- 2 setting pushbutton
- 3 Tightening torque 25 Nm



Product characteristics

Number of inputs and outputs	Number of digital outputs: 1
Process connection	M18 x 1,5 Internal thread

Application

Media	Liquids; Gases
Medium temperature [°C]	-25...70
Pressure rating [bar]	300

Liquids

Medium temperature [°C]	-25...70
-------------------------	----------

Gases

Medium temperature [°C]	-25...70
-------------------------	----------

Electrical data

Operating voltage tolerance [%]	-15...15
Operating voltage [V]	< 24 AC / 18...36 DC; (to SELV/PELV)
Current consumption [mA]	< 80
Protection class	III
Power-on delay time [s]	10

Inputs / outputs

Number of inputs and outputs	Number of digital outputs: 1
------------------------------	------------------------------

SI0558



Flow monitor

SID10XDBAKOA/US-100

Outputs	
Total number of outputs	1
Output signal	switching signal
Number of digital outputs	1
Output function	normally open
Contact rating	2 A, 24 V AC/DC; (to SELV/PELV)
Short-circuit protection	no
Overload protection	no
Measuring/setting range	
Probe length L [mm]	45
Liquids	
Setting range [cm/s]	3...300
Greatest sensitivity [cm/s]	3...100
Set point SP [cm/s]	20
Gases	
Setting range [cm/s]	200...3000
Greatest sensitivity [cm/s]	200...800
Accuracy / deviations	
Repeatability [cm/s]	1...5
Note on repeatability	for water 5...100 cm/s; 25 °C Factory setting
Temperature drift [cm/s x 1/K]	0.1; (for water 5...100 cm/s; 10...70 °C)
Max. temperature gradient of medium [K/min]	300
Switch point accuracy [cm/s]	± 2...± 10; (for water 5...100 cm/s; 25 °C; Factory setting)
Hysteresis [cm/s]	2...5; (for water 5...100 cm/s; 25 °C; Factory setting)
Reaction times	
Liquids	
Response time [s]	1...2; (for a temperature gradient: 1 K/min)
Gases	
Response time [s]	1...10
Software / programming	
Adjustment of the switch point	pushbuttons
Operating conditions	
Ambient temperature [°C]	-25...60
Storage temperature [°C]	-25...100
Protection	IP 65; IP 67
Tests / approvals	
EMC	DIN EN 60947-5-9
Shock resistance	DIN EN 60068-2-27 20 g (11 ms)
Vibration resistance	DIN EN 60068-2-6 5 g (55...2000 Hz)
MTTF [years]	351

SI0558



Flow monitor

SID10XDBAKOA/US-100

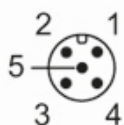
Mechanical data	
Weight [g]	230.5
Dimensions [mm]	M18 x 1.5
Thread designation	M18 x 1.5
Material	stainless steel (1.4404 / 316L); stainless steel (1.4310 / 301); PC; PBT-GF20; EPDM/X
Materials (wetted parts)	stainless steel (1.4404 / 316L); O-ring: FKM 80 Shore A
Process connection	M18 x 1,5 Internal thread

Displays / operating elements		
Display	Function	10 x LED, three-color

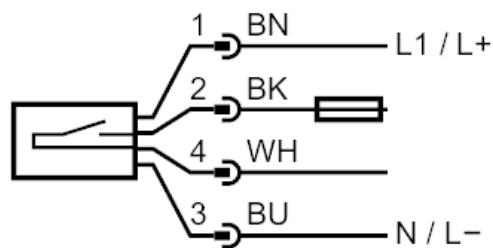
Remarks	
Pack quantity	1 pcs.

Electrical connection

Connector: 1 x M12; coding: A



Connection



Core colors :
BN = brown
BK = black
WH = white
BU = blue