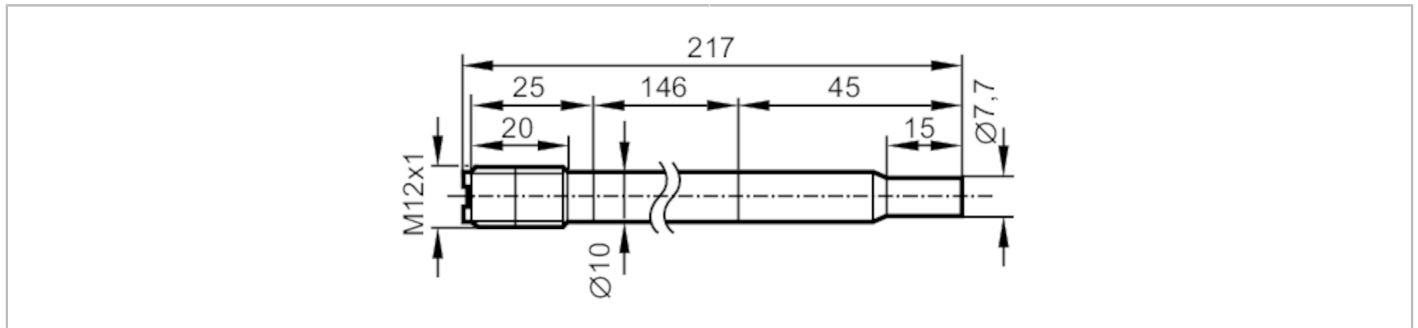


SF6200



Flow sensor for connection to an evaluation unit

SFG10ABB /JS-100



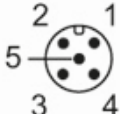
Product characteristics		
Probe length L	[mm]	15...156
Process connection		Ø 10 mm
Application		
System		gold-plated contacts
Application		high temperature
Installation		Sensor suitable for clamp fitting
Media		Liquids; Gases
Medium temperature	[°C]	-25...80
Pressure rating	[bar]	30
Liquids		
Application		high temperature
Installation		Sensor suitable for clamp fitting
Medium temperature	[°C]	-25...80
Gases		
Medium temperature	[°C]	-25...80
Electrical data		
Connection to control monitor		VS3000
Measuring/setting range		
Probe length L	[mm]	15...156
Liquids		
Setting range	[cm/s]	3...300
Greatest sensitivity	[cm/s]	3...60
Gases		
Setting range	[cm/s]	200...3000
Greatest sensitivity	[cm/s]	200...800
Accuracy / deviations		
Max. temperature gradient of medium	[K/min]	30
Reaction times		
Response time	[s]	1...10

SF6200



Flow sensor for connection to an evaluation unit

SFG10ABB /US-100

Liquids		
Response time	[s]	1...10
Gases		
Response time	[s]	1...10
Operating conditions		
Protection		IP 67
Tests / approvals		
Shock resistance	DIN IEC 68-2-27	40 g (11 ms)
Vibration resistance	DIN IEC 68-2-6	10 g (55...2000 Hz)
MTTF	[years]	8583
Mechanical data		
Weight	[g]	89
Dimensions	[mm]	Ø 10
Material		stainless steel (1.4404 / 316L) several parts, welded
Materials (wetted parts)		stainless steel (1.4404 / 316L) several parts, welded
Process connection		Ø 10 mm
Accessories		
Accessories (optional)		Clamp adapter: R 1/2, E40160
		Clamp adapter: 1/2" NPT, E40174
Remarks		
Pack quantity		1 pcs.
Electrical connection		
Connector: 1 x M12; coding: A; Contacts: gold-plated; Maximum cable length: 100 m		
		

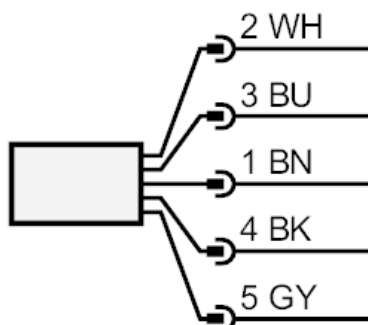
SF6200



Flow sensor for connection to an evaluation unit

SFG10ABB /US-100

Connection



Core colors :

BN =	brown
BU =	blue
BK =	black
WH =	white
GY =	grey