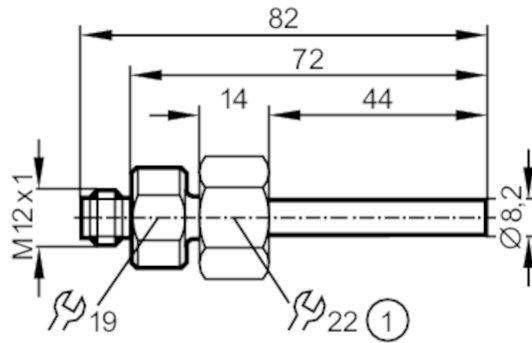


# SF5700



## Flow sensor for connection to an evaluation unit

SFD10ADT /US-100



1 Internal thread M18 x 1,5



### Product characteristics

Probe length L	[mm]	45
Process connection		M18 x 1,5 Internal thread

### Application

Media		Liquids; Gases; aggressive media
Medium temperature	[°C]	-25...80
Pressure rating	[bar]	100

### Electrical data

Connection to control monitor		VS3000
-------------------------------	--	--------

### Measuring/setting range

Probe length L	[mm]	45
Liquids		
Setting range	[cm/s]	3...300
Greatest sensitivity	[cm/s]	3...60
Gases		
Setting range	[cm/s]	200...3000
Greatest sensitivity	[cm/s]	200...800

### Accuracy / deviations

Max. temperature gradient of medium	[K/min]	300
-------------------------------------	---------	-----

### Reaction times

Response time	[s]	1...10
---------------	-----	--------

### Operating conditions

Storage temperature	[°C]	-25...80
Protection		IP 67

### Tests / approvals

Shock resistance	DIN IEC 68-2-27	40 g (11 ms)
Vibration resistance	DIN IEC 68-2-6	10 g (55...2000 Hz)
MTTF	[years]	8213

# SF5700



## Flow sensor for connection to an evaluation unit

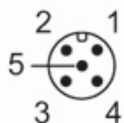
SFD10ADT /US-100

Mechanical data	
Weight [g]	91
Housing	for adapter
Dimensions [mm]	M18 x 1.5
Thread designation	M18 x 1.5
Material	stainless steel (1.4404 / 316L); EPDM
Materials (wetted parts)	titanium (3.7035); O-ring: FKM 80 Shore A
Process connection	M18 x 1,5 Internal thread

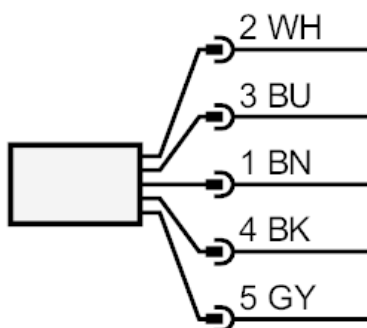
Remarks	
Pack quantity	1 pcs.

### Electrical connection

Connector: 1 x M12; coding: A; Maximum cable length: 100 m



### Connection



- Core colors :
- BN = brown
  - BU = blue
  - BK = black
  - WH = white
  - GY = grey