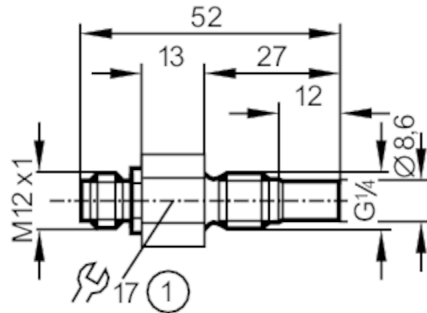


# SF2405



## Flow sensor for connection to an evaluation unit

SFR14XBK/US-100



1 tightening torque max. 8 Nm



### Product characteristics

Probe length L	[mm]	12
Process connection		G 1/4 external thread

### Application

Media		Liquids; aggressive media
Medium temperature	[°C]	5...70
Pressure rating	[bar]	30

### Liquids

Medium temperature	[°C]	5...70
--------------------	------	--------

### Electrical data

Connection to control monitor		VS3000
-------------------------------	--	--------

### Measuring/setting range

Probe length L	[mm]	12
Liquids		
Setting range	[cm/s]	3...60
Greatest sensitivity	[cm/s]	3...40

### Accuracy / deviations

Max. temperature gradient of medium	[K/min]	7
-------------------------------------	---------	---

### Reaction times

Response time	[s]	2...20
Liquids		
Response time	[s]	2...20

### Operating conditions

Protection		IP 67
------------	--	-------

### Tests / approvals

Shock resistance	DIN IEC 68-2-27	40 g (11 ms)
Vibration resistance	DIN IEC 68-2-6	10 g (55...2000 Hz)
MTTF	[years]	8648

# SF2405



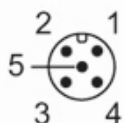
## Flow sensor for connection to an evaluation unit

SFR14XBK/US-100

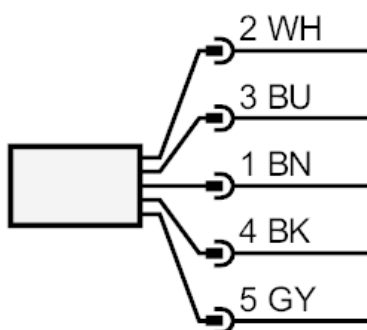
Mechanical data	
Weight [g]	41.5
Housing	Threaded type
Material	ceramics (99.7 % Al <sub>2</sub> O <sub>3</sub> )
Materials (wetted parts)	ceramics (99.7 % Al <sub>2</sub> O <sub>3</sub> )
Process connection	G 1/4 external thread
Installation length EL [mm]	27
Accessories	
Items supplied	sealings: 1, PTFE
Remarks	
Remarks	For sealing use the supplied PTFE packing washer.
Pack quantity	1 pcs.

### Electrical connection

Connector: 1 x M12; coding: A; Maximum cable length: 100 m



### Connection



Core colors :  
BN = brown  
BU = blue  
BK = black  
WH = white  
GY = grey