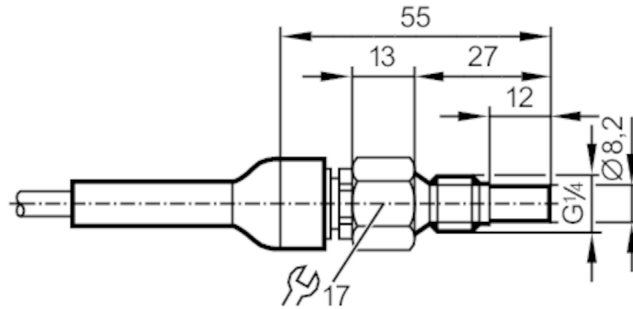


SF211A



Flow sensor for connection to an evaluation unit

SFR14ADB/1/2G /6M



Product characteristics

Probe length L	[mm]	12
Process connection		G 1/4 external thread

Application

Media		Liquids; Gases
Medium temperature	[°C]	-20...60
Pressure rating	[bar]	300

Liquids

Medium temperature	[°C]	-20...60
--------------------	------	----------

Gases

Medium temperature	[°C]	-20...60
--------------------	------	----------

Electrical data

Connection to control monitor		VS2000 Exi (PTB 01 ATEX 2075)
-------------------------------	--	-------------------------------

Measuring/setting range

Probe length L	[mm]	12
Liquids		
Setting range	[cm/s]	3...300
Greatest sensitivity	[cm/s]	3...60
Gases		
Setting range	[cm/s]	200...2000
Greatest sensitivity	[cm/s]	200...800

Accuracy / deviations

Max. temperature gradient of medium	[K/min]	15
-------------------------------------	---------	----

Reaction times


Response time	[s]	1...10
Liquids		
Response time	[s]	1...10
Gases		
Response time	[s]	1...10

SF211A



Flow sensor for connection to an evaluation unit

SFR14ADB/1/2G /6M

Operating conditions	
Ambient temperature [°C]	-20...60
Storage temperature [°C]	-20...85
Protection	IP 67
Tests / approvals	
Approval	DMT 03 ATEX E 090 X; TIIS TC17434; IECEx BVS 11.0017 X
ATEX marking	 II 1/2G Ex ia IIC T4 Ga/Gb
Shock resistance	DIN IEC 68-2-27 40 g (11 ms)
Vibration resistance	DIN IEC 68-2-6 10 g (55...2000 Hz)
MTTF [years]	8648
Safety classification	
Max. internal capacitance [nF]	1.2
Max. internal inductance [µH]	6
Temperature class	T4
Mechanical data	
Weight [g]	356.5
Housing	Threaded type
Material	stainless steel (1.4404 / 316L)
Materials (wetted parts)	stainless steel (1.4404 / 316L)
Process connection	G 1/4 external thread
Installation length EL [mm]	27
Remarks	
Remarks	In principle, the type test according to 94/9/EC (ATEX) only takes atmospheric conditions into account (0.8...1.1 bar). For pressures outside this range use must be assessed and approved by the user. Adhere to the operating instructions and the type test certificate.
Pack quantity	1 pcs.

SF211A



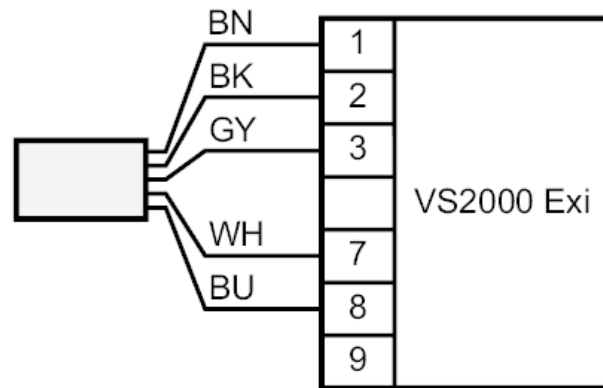
Flow sensor for connection to an evaluation unit

SFR14ADB/1/2G /6M

Electrical connection

Cable: 6 m, TPE-S; Maximum cable length: 100 m; 5 x 0.34 mm²

Connection



	Core colors :
BN =	brown
BU =	blue
BK =	black
WH =	white
GY =	grey