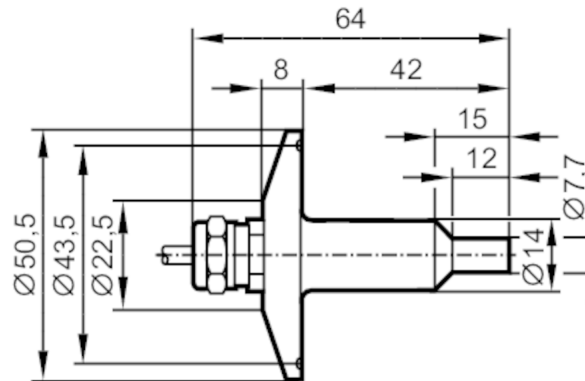


# SF0516



## Flow sensor for connection to an evaluation unit

SFG14ZBB/6M



| Product characteristics             |   |
|-------------------------------------|---|
| Probe length L                      | [mm] 42   |
| Process connection                  | Clamp DN25...DN40 (1...1,5") DIN 32676 (ISO 2852) |
| Application                         |   |
| Application                         | high temperature; hygienic applications           |
| Pressure rating                     | [bar] 30  |
| Liquids                             |   |
| Application                         | high temperature; hygienic applications           |
| Medium temperature                  | [°C] 0...120                                      |
| Gases                               |   |
| Medium temperature                  | [°C] 0...100                                      |
| Electrical data                     |   |
| Connection to control monitor       | VS3000  |
| Measuring/setting range             |   |
| Probe length L                      | [mm] 42   |
| Liquids                             |   |
| Setting range                       | [cm/s] 3...300                                    |
| Greatest sensitivity                | [cm/s] 3...60                                     |
| Gases                               |   |
| Setting range                       | [cm/s] 200...2000                                 |
| Greatest sensitivity                | [cm/s] 200...800                                  |
| Accuracy / deviations               |   |
| Max. temperature gradient of medium | [K/min] 15  |
| Reaction times                      |   |
| Response time                       | [s] 1...10  |
| Liquids                             |   |
| Response time                       | [s] 1...10  |

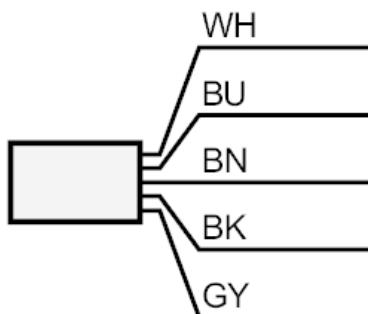
# SF0516



## Flow sensor for connection to an evaluation unit

SFG14ZBB/6M

| Gases   |                 |   |
|---|-----------------|---|
| Response time   | [s]             | 1...10  |
| Operating conditions  |                 |   |
| Protection  |                 | IP 67   |
| Tests / approvals   |                 |   |
| Shock resistance  | DIN IEC 68-2-27 | 40 g (11 ms)  |
| Vibration resistance  | DIN IEC 68-2-6  | 10 g (55...2000 Hz)   |
| MTTF  | [years]         | 8648  |
| Mechanical data   |                 |   |
| Weight  | [g]             | 485   |
| Material  |                 | stainless steel (1.4571/316Ti)  |
| Materials (wetted parts)  |                 | stainless steel (1.4571/316Ti)  |
| Process connection  |                 | Clamp DN25...DN40 (1...1,5") DIN 32676 (ISO 2852)   |
| Remarks   |                 |   |
| Remarks   |                 | The 3-A qualification is only valid if adapters with 3-A qualification are used for installation. |
| Pack quantity   |                 | 1 pcs.  |
| Electrical connection   |                 |   |
| Cable: 6 m, silicone; Maximum cable length: 100 m; 5 x 0.34 mm <sup>2</sup> |                 |   |
| Connection  |                 |   |



|      |               |
|------|---------------|
|      | Core colors : |
| BN = | brown         |
| BU = | blue          |
| BK = | black         |
| WH = | white         |
| GY = | grey          |