

SDG080



Compressed air meter

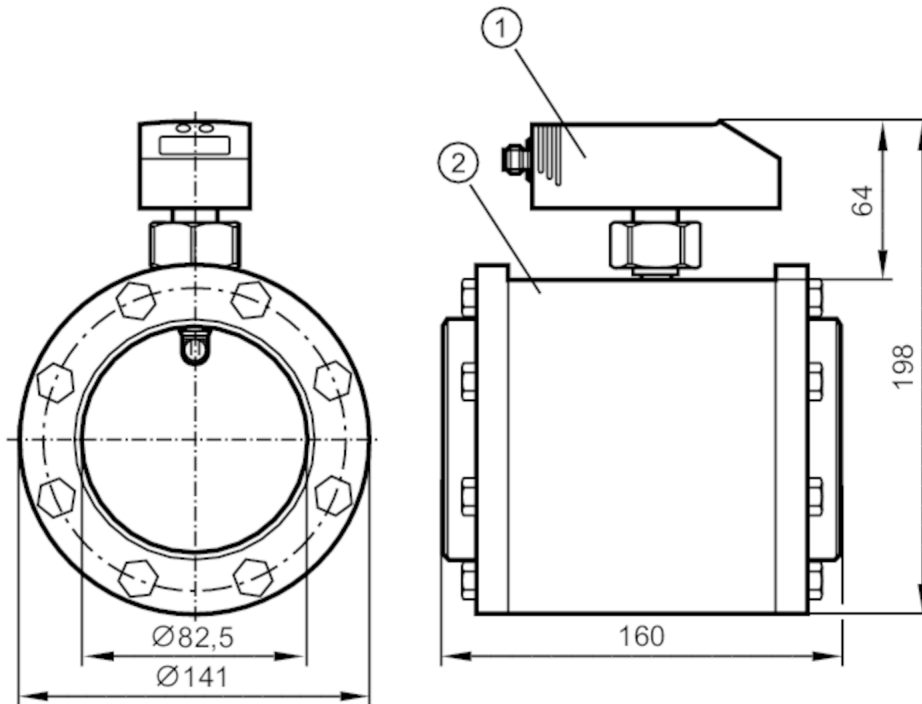
SDG3"/METRIS PB DN80

Article to be discontinued

Discontinuation date: 12/31/2024

Alternative articles: SDG450

When selecting an alternative article and accessories please note that technical data may differ!



- 1 Flow sensor
- 2 Pipe section



Product characteristics

Number of inputs and outputs	Number of digital outputs: 2; Number of analog outputs: 1
Measuring range [m ³ /h]	9...2750
Process connection	flange DN80 according to: DIN EN 10220

Application

Application	Totalizer function
Media	compressed air
Note on media	air quality ISO 8573-1
	class 141
	class 344
Medium temperature [°C]	0...60
Pressure rating [bar]	16
Pressure rating [MPa]	1.6

Electrical data

Operating voltage [V]	19...30 DC
Current consumption [mA]	< 100
Protection class	III

SDG080



Compressed air meter

SDG3"/METRIS PB DN80

Reverse polarity protection	yes
Power-on delay time [s]	0.5

Inputs / outputs

Number of inputs and outputs	Number of digital outputs: 2; Number of analog outputs: 1
------------------------------	---

Outputs

Total number of outputs	2
Output signal	switching signal; analog signal; pulse signal; (configurable)
Electrical design	PNP
Number of digital outputs	2
Output function	normally open / closed; (configurable)
Max. voltage drop switching output DC [V]	2
Permanent current rating of switching output DC [mA]	250; (per output)
Number of analog outputs	1
Analog current output [mA]	4...20; (scalable)
Max. load [Ω]	500
Pulse output	consumed quantity meter
Short-circuit protection	yes
Type of short-circuit protection	yes (non-latching)
Overload protection	yes

Measuring/setting range

Measuring range [m ³ /h]	9...2750
Display range [m ³ /h]	0...3300
Volumetric flow quantity monitoring	
Pulse value	1 Nm ³
Pulse length [s]	0,1

Accuracy / deviations

Flow monitoring	
Accuracy (in the measuring range)	$\pm (3 \% MW + 0,3 \% MEW) / \pm (6 \% MW + 0,6 \% MEW)$; (class 141 /; class 344)

Reaction times

Flow monitoring	
Response time [s]	0.1; (dAP = 0)

Operating conditions

Ambient temperature [°C]	0...60
Storage temperature [°C]	-20...85
Max. relative air humidity [%]	90
Protection	IP 65

SDG080



Compressed air meter

SDG3"/METRIS PB DN80

Tests / approvals

EMC	EN 61000-4-2 ESD	4 kV CD / 8 kV AD
	EN 61000-4-3 HF radiated	10 V/m
	EN 61000-4-4 Burst	2 kV
	EN 61000-4-6 HF conducted	10 V
Vibration resistance	DIN IEC 68-2-6	5 g (55...2000 Hz)
MTTF	[years]	214

Mechanical data

Weight	[g]	11625
Material	PBT-GF20; PC; PC; stainless steel (1.4301 / 304); FKM; Pipe section: steel galvanized	
Materials (wetted parts)	stainless steel (1.4401 / 316); stainless steel (1.4301 / 304); ceramics glass passivated; PEEK; polyester; FKM; aluminum anodized; Pipe section: steel galvanized	
Process connection	flange DN80 according to: DIN EN 10220	

Remarks

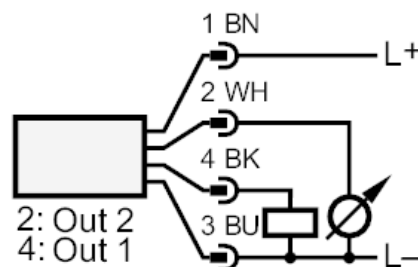
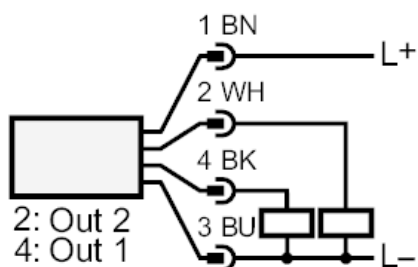
Remarks	MW = Measured value
	MEW = Final value of the measuring range
	Measuring, display and setting ranges refer to standard volume flow according to DIN ISO 2533.
	For information about installation and operation please see the operating instructions.
Pack quantity	1 pcs.

Electrical connection

Connector: 1 x M12; coding: A



Connection



- OUT1: Switching output
Pulse output quantity meter
- OUT2: Switching output
Input counter reset
analog output