

SD9000



Compressed air meter

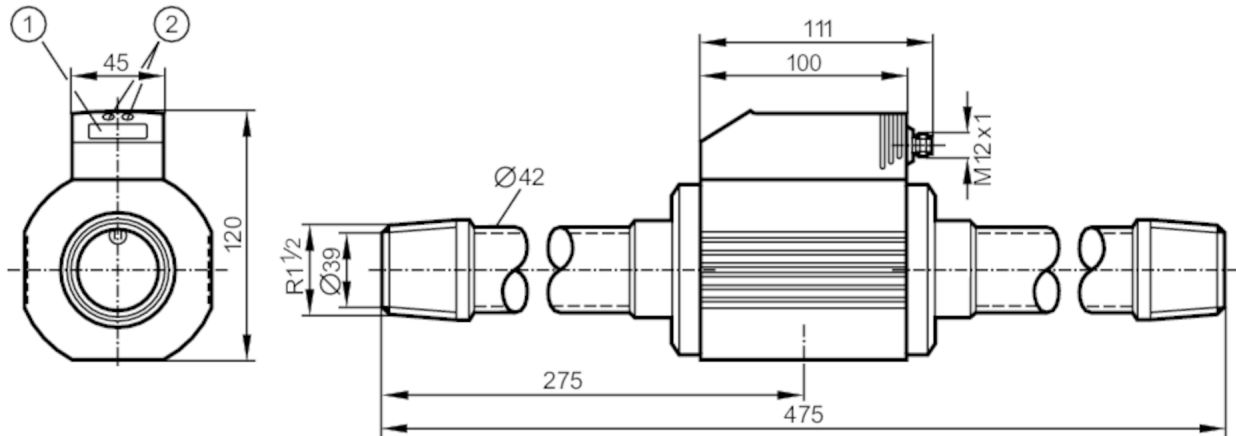
SDR32DGXFPKG/US-100

Article to be discontinued

Discontinuation date: 12/31/2024

Alternative articles: SD9500

When selecting an alternative article and accessories please note that technical data may differ!



- 1 alphanumeric display 4-digit
- 2 Programming buttons



Product characteristics

| | | | |
|------------------------------|---|----------------|-----------------------------|
| Number of inputs and outputs | Number of digital outputs: 2; Number of analog outputs: 1 | | |
| Measuring range | 20...6835 l/min | 0.3...95.3 m/s | 1.5...410 m ³ /h |
| Process connection | threaded connection R 1 1/2 DN40 | | |

Application

| | |
|-------------------------|-----------------------------|
| Application | for industrial applications |
| Media | compressed air |
| Note on media | air quality ISO 8573-1 |
| | class 141 |
| | class 344 |
| Medium temperature [°C] | 0...60 |
| Pressure rating [bar] | 16 |
| Pressure rating [MPa] | 1.6 |

Electrical data

| | |
|-----------------------------|----------------------------|
| Operating voltage [V] | 18...30 DC; (to SELV/PELV) |
| Current consumption [mA] | < 110 |
| Protection class | III |
| Reverse polarity protection | yes |
| Power-on delay time [s] | 1 |

Inputs / outputs

| | |
|------------------------------|---|
| Number of inputs and outputs | Number of digital outputs: 2; Number of analog outputs: 1 |
|------------------------------|---|

SD9000



Compressed air meter

SDR32DGXFPKG/US-100

| Outputs | | | |
|--|--|-----------------|------------------|
| Total number of outputs | 2 | | |
| Output signal | switching signal; analog signal; pulse signal; IO-Link; (configurable) | | |
| Electrical design | PNP | | |
| Number of digital outputs | 2 | | |
| Output function | normally open / closed; (configurable) | | |
| Max. voltage drop switching output DC [V] | 2 | | |
| Permanent current rating of switching output DC [mA] | 250; (per output) | | |
| Number of analog outputs | 1 | | |
| Analog current output [mA] | 4...20; (scalable) | | |
| Max. load [Ω] | 500 | | |
| Pulse output | consumed quantity meter | | |
| Short-circuit protection | yes | | |
| Type of short-circuit protection | yes (non-latching) | | |
| Overload protection | yes | | |
| Measuring/setting range | | | |
| Measuring range | 20...6835 l/min | 0.3...95.3 m/s | 1.5...410 m³/h |
| Display range | 0...8200 l/min | 0...114.4 m/s | 0...492 m³/h |
| Set point SP | 55...6835 l/min | 0.8...95.3 m/s | 3.5...410 m³/h |
| Reset point rP | 20...6800 l/min | 0.3...94.8 m/s | 1.5...408 m³/h |
| Analog start point ASP | 0...5125 l/min | 0...71.5 m/s | 0...307.5 m³/h |
| Analog end point AEP | 1710...6835 l/min | 23.8...95.3 m/s | 102.5...410 m³/h |
| In steps of | 5 l/min | 0.1 m/s | 0.5 m³/h |
| Volumetric flow quantity monitoring | | | |
| Pulse value | 0.005...4 000 000 m³ | | |
| In steps of | 0.001 m³ | | |
| Pulse length [s] | 0,018...2 | | |
| Temperature monitoring | | | |
| Measuring range [°C] | 0...60 | | |
| Display range [°C] | -12...72 | | |
| Accuracy / deviations | | | |
| Flow monitoring | | | |
| Repeatability [% of the measured value] | ± 1,5 | | |
| Accuracy (in the measuring range) | ± (3 % MW + 0,3 % MEW) / ± (6 % MW + 0,6 % MEW); (class 141 l; class 344; conditions: installation to DIN ISO 2533; installation in pipes: DN40) | | |
| Temperature monitoring | | | |
| Accuracy [K] | ± 2; (medium flow in the limit area of the flow measurement range) | | |
| Reaction times | | | |
| Flow monitoring | | | |
| Response time [s] | 0.1; (dAP = 0) | | |

SD9000



Compressed air meter

SDR32DGXFPKG/US-100

| | |
|--|-------------------------------|
| Damping process value dAP in steps [s] | 0 - 0,2 - 0,4 - 0,6 - 0,8 - 1 |
|--|-------------------------------|

Software / programming

| | |
|---------------------------|--|
| Parameter setting options | Flow monitoring; quantity meter; Preset counter; Temperature monitoring; hysteresis / window; normally open / closed; current/pulse output; display can be rotated and switched off; Display unit; totalizer |
|---------------------------|--|

Interfaces

| Communication interface | IO-Link | | | | |
|------------------------------|--|-------------------|----------|---------|-----|
| Transmission type | COM2 (38,4 kBaud) | | | | |
| IO-Link revision | 1.1 | | | | |
| SDCI standard | IEC 61131-9 CDV | | | | |
| Profiles | no profile | | | | |
| SIO mode | yes | | | | |
| Required master port class | A | | | | |
| Process data analog | 3 | | | | |
| Process data binary | 2 | | | | |
| Min. process cycle time [ms] | 4.1 | | | | |
| Supported DeviceIDs | <table><thead><tr><th>Type of operation</th><th>DeviceID</th></tr></thead><tbody><tr><td>default</td><td>269</td></tr></tbody></table> | Type of operation | DeviceID | default | 269 |
| Type of operation | DeviceID | | | | |
| default | 269 | | | | |

Operating conditions

| | |
|--------------------------------|----------|
| Ambient temperature [°C] | 0...60 |
| Storage temperature [°C] | -20...85 |
| Max. relative air humidity [%] | 90 |
| Protection | IP 65 |

Tests / approvals

| | | |
|------------------------------|---|--------------------|
| EMC | DIN EN 61000-6-2 | |
| | DIN EN 61000-6-3 | |
| CPA approval | model number | 002TG |
| | accuracy class | - |
| | maximum allowable error | ± 4 % FS |
| | Q (min) | 1,4 m³/h |
| | Q (t) | - |
| | Q (max) | 410 m³/h |
| Vibration resistance | DIN EN 68000-2-6 | 5 g (55...2000 Hz) |
| MTTF [years] | | 227 |
| Pressure equipment directive | sound engineering practice; can be used for group 2 fluids; group 1 fluids on request | |

Mechanical data

| | |
|--------------------------|--|
| Weight [g] | 4004 |
| Material | PBT-GF20; NBR; PC; stainless steel (1.4301 / 304); PTFE; brass coated; aluminum powder-coated |
| Materials (wetted parts) | stainless steel (1.4301 / 304); FKM; ceramics glass passivated; PEEK GF30; polyester; aluminum |
| Process connection | threaded connection R 1 1/2 DN40 |

SD9000



Compressed air meter

SDR32DGXFPKG/US-100

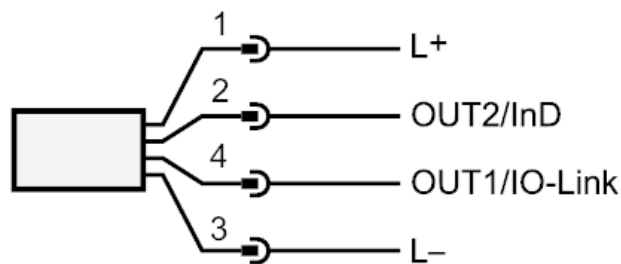
| Displays / operating elements | | |
|-------------------------------|--|---|
| Display | Display unit | 5 x LED, green (NI/min, Nm ³ /h, Nm/s, Nm ³ , °C) |
| | Function display | 1 x LED, green |
| | Switching status | 2 x LED, yellow |
| | Measured values | alphanumeric display, 4-digit |
| | Programming | alphanumeric display, 4-digit |
| Remarks | | |
| Remarks | MW = Measured value | |
| | MEW = Final value of the measuring range | |
| | Measuring, display and setting ranges refer to standard volume flow according to DIN ISO 2533. | |
| | For information about installation and operation please see the operating instructions. | |
| Pack quantity | 1 pcs. | |

Electrical connection

Connector: 1 x M12; coding: A



Connection



OUT1/IO-Link: Switching output Volumetric flow quantity monitoring
Pulse output quantity meter
signal output Preset counter

OUT2/InD: Switching output Volumetric flow quantity monitoring / Temperature monitoring
analog output Volumetric flow quantity monitoring / Temperature monitoring
Input counter reset