

SD8000



Compressed air meter

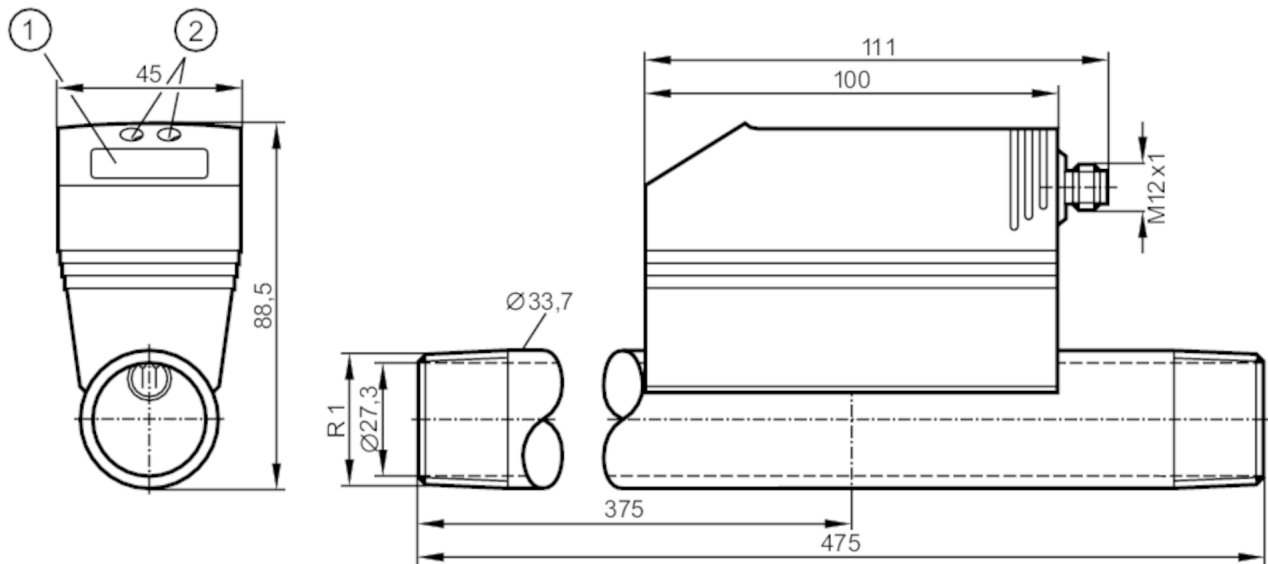
SDR11DGXFPKG/US-100

Article to be discontinued

Discontinuation date: 12/31/2024

Alternative articles: SD8500

When selecting an alternative article and accessories please note that technical data may differ!



- 1 alphanumeric display 4-digit
- 2 Programming buttons



Product characteristics

Number of inputs and outputs	Number of digital outputs: 2; Number of analog outputs: 1		
Measuring range	13...3750 l/min	0.4...109.2 m/s	0.7...225 m ³ /h
Process connection	threaded connection R 1 DN25		

Application

Application	for industrial applications
Media	compressed air
Note on media	air quality ISO 8573-1
	class 141
	class 344
Medium temperature [°C]	0...60
Pressure rating [bar]	16
Pressure rating [MPa]	1.6

Electrical data

Operating voltage [V]	18...30 DC; (to SELV/PELV)
Current consumption [mA]	< 110
Protection class	III
Reverse polarity protection	yes
Power-on delay time [s]	1

SD8000



Compressed air meter

SDR11DGXFPKG/US-100

Inputs / outputs			
Number of inputs and outputs	Number of digital outputs: 2; Number of analog outputs: 1		
Outputs			
Total number of outputs	2		
Output signal	switching signal; analog signal; pulse signal; IO-Link; (configurable)		
Electrical design	PNP		
Number of digital outputs	2		
Output function	normally open / closed; (configurable)		
Max. voltage drop switching output DC [V]	2		
Permanent current rating of switching output DC [mA]	250; (per output)		
Number of analog outputs	1		
Analog current output [mA]	4...20; (scalable)		
Max. load [Ω]	500		
Pulse output	consumed quantity meter		
Short-circuit protection	yes		
Type of short-circuit protection	yes (non-latching)		
Overload protection	yes		
Measuring/setting range			
Measuring range	13...3750 l/min	0.4...109.2 m/s	0.7...225 m³/h
Display range	0...4500 l/min	0...131 m/s	0...270 m³/h
Set point SP	30...3750 l/min	0.9...109.2 m/s	1.8...225 m³/h
Reset point rP	12...3732 l/min	0.4...108.7 m/s	0.7...223.9 m³/h
Analog start point ASP	0...2813 l/min	0...81.9 m/s	0...168.8 m³/h
Analog end point AEP	937...3750 l/min	27.3...109.2 m/s	56.2...225 m³/h
In steps of	1 l/min	0.1 m/s	0.1 m³/h
Volumetric flow quantity monitoring			
Pulse value	0.003...3000000 m³		
In steps of	0.001 m³		
Pulse length [s]	0,02...2		
Temperature monitoring			
Measuring range [°C]	0...60		
Display range [°C]	-12...72		
Accuracy / deviations			
Flow monitoring			
Repeatability [% of the measured value]	± 1,5		
Accuracy (in the measuring range)	± (3 % MW + 0,3 % MEW) / ± (6 % MW + 0,6 % MEW); (class 141 l; class 344; conditions: installation to DIN ISO 2533; installation in pipes: DN25)		
Temperature monitoring			
Accuracy [K]	± 2; (medium flow in the limit area of the flow measurement range)		

SD8000



Compressed air meter

SDR11DGXFPKG/US-100

Reaction times		
Flow monitoring		
Response time	[s]	0.1; (dAP = 0)
Damping process value dAP in steps	[s]	0 - 0,2 - 0,4 - 0,6 - 0,8 - 1
Software / programming		
Parameter setting options	Flow monitoring; quantity meter; Preset counter; Temperature monitoring; hysteresis / window; normally open / closed; current/pulse output; display can be rotated and switched off; Display unit; totalizer	
Interfaces		
Communication interface	IO-Link	
Transmission type	COM2 (38,4 kBaud)	
IO-Link revision	1.1	
SDCI standard	IEC 61131-9 CDV	
Profiles	no profile	
SIO mode	yes	
Required master port class	A	
Process data analog	3	
Process data binary	2	
Min. process cycle time	[ms]	4.1
Supported DeviceIDs	Type of operation default	DeviceID 267
Operating conditions		
Ambient temperature	[°C]	0...60
Storage temperature	[°C]	-20...85
Max. relative air humidity	[%]	90
Protection	IP 65	
Tests / approvals		
EMC	DIN EN 61000-6-2	
	DIN EN 61000-6-3	
CPA approval	model number	002TG
	accuracy class	-
	maximum allowable error	± 4 % FS
	Q (min)	0,7 m³/h
	Q (t)	-
	Q (max)	225 m³/h
Vibration resistance	DIN EN 68000-2-6	5 g (55...2000 Hz)
MTTF	[years]	227
Pressure equipment directive	sound engineering practice; can be used for group 2 fluids; group 1 fluids on request	
Mechanical data		
Weight	[g]	2029
Material	PBT-GF20; NBR; PC; stainless steel (1.4301 / 304); PTFE; brass coated; FKM; aluminum powder-coated	
Materials (wetted parts)	stainless steel (1.4301 / 304); FKM; ceramics glass passivated; PEEK GF30; polyester; aluminum	
Process connection	threaded connection R 1 DN25	

SD8000



Compressed air meter

SDR11DGXFPKG/US-100

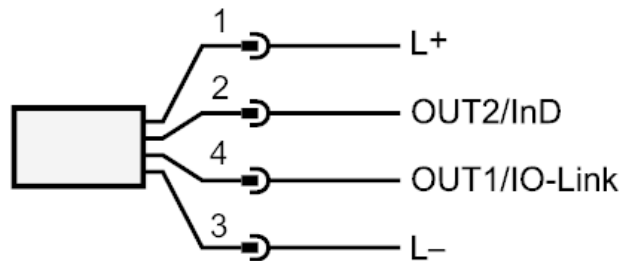
Displays / operating elements		
Display	Display unit	5 x LED, green (NI/min, Nm ³ /h, Nm/s, Nm ³ , °C)
	Function display	1 x LED, green
	Switching status	2 x LED, yellow
	Measured values	alphanumeric display, 4-digit
	Programming	alphanumeric display, 4-digit
Remarks		
Remarks	MW = Measured value	
	MEW = Final value of the measuring range	
	Measuring, display and setting ranges refer to standard volume flow according to DIN ISO 2533.	
	For information about installation and operation please see the operating instructions.	
Pack quantity	1 pcs.	

Electrical connection

Connector: 1 x M12; coding: A



Connection



OUT1/IO-Link: Switching output Volumetric flow quantity monitoring
Pulse output quantity meter
signal output Preset counter

OUT2/InD: Switching output Volumetric flow quantity monitoring / Temperature monitoring
analog output Volumetric flow quantity monitoring / Temperature monitoring
Input counter reset