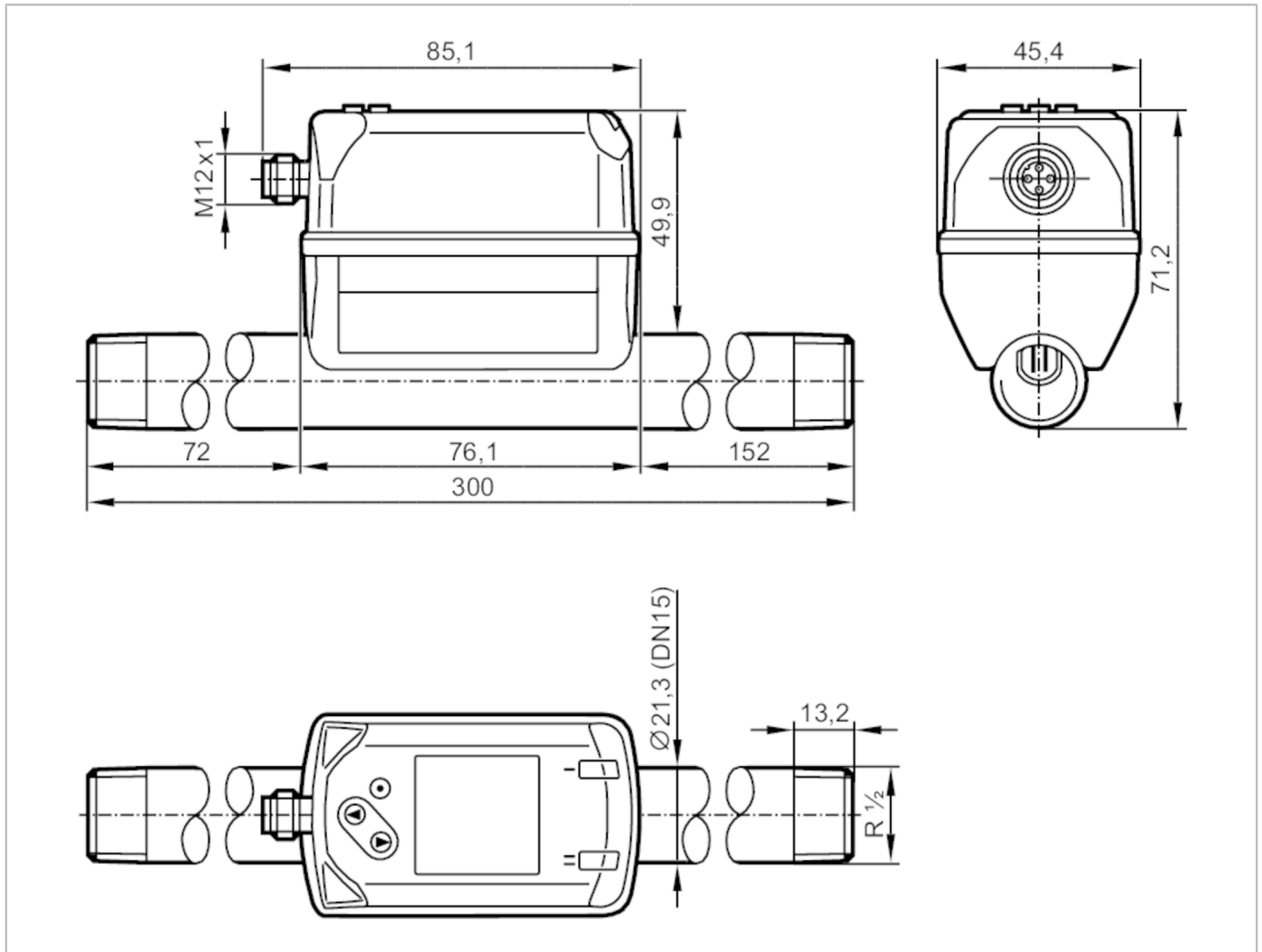


# SD6800



## Industrial gas counter

SDR12DGXFRKG/US-100



### Product characteristics

Number of inputs and outputs	Number of digital outputs: 2; Number of analogue outputs: 1		
Measuring range	1.5...166.5 l/min	0.1...13.3 m/s	0.1...10 m³/h
Process connection	threaded connection R 1/2 DN15		

### Application

Application	for industrial applications	
Media	helium	
Medium temperature [°C]	-10...60	
Min. bursting pressure [bar]	64	
Pressure rating [bar]	16	
Pressure rating [MPa]	1.6	
MAWP (for applications according to CRN) [bar]	9.7	

### Electrical data

Operating voltage [V]	18...30 DC; (to SELV/PELV)
Current consumption [mA]	< 80

# SD6800



## Industrial gas counter

SDR12DGXFRKG/US-100

Protection class	III
Reverse polarity protection	yes
Power-on delay time [s]	1

### Inputs / outputs

Number of inputs and outputs	Number of digital outputs: 2; Number of analogue outputs: 1
------------------------------	---

### Inputs

Inputs	counter reset
--------	---------------

### Outputs

Output signal	switching signal; analogue signal; pulse signal; IO-Link; (configurable)
Electrical design	PNP/NPN
Number of digital outputs	2
Output function	normally open / normally closed; (parameterisable)
Max. voltage drop switching output DC [V]	2.5
Permanent current rating of switching output DC [mA]	150; (per output)
Number of analogue outputs	1
Analogue current output [mA]	4...20; (scalable)
Max. load [Ω]	500
Pulse output	consumed quantity meter
Short-circuit protection	yes
Type of short-circuit protection	pulsed
Overload protection	yes

### Measuring/setting range

Measuring range	1.5...166.5 l/min	0.1...13.3 m/s	0.1...10 m³/h
Display range	1.5...200 l/min	0.1...16 m/s	0.1...12 m³/h
Resolution	1 l/min	0.1 m/s	0.05 m³/h
Set point SP	2.7...166.7 l/min	0.2...13.3 m/s	0.16...10 m³/h
Reset point rP	1.8...165.8 l/min	0.1...13.2 m/s	0.11...9.95 m³/h
Analogue start point ASP	0...133.3 l/min	0...10.6 m/s	0...8 m³/h
Analogue end point AEP	33.4...166.7 l/min	2.7...13.3 m/s	2...10 m³/h
Low flow cut-off LFC	1.3...1.7 l/min	0.1 m/s	0.08...0.1 m³/h
In steps of	1 l/min	0.1 m/s	0.01 m³/h

### Pressure monitoring

Measuring range [bar]	-1...16
Display range [bar]	-1...20
Resolution [bar]	0.05
Set point SP [bar]	-0.92...16
Reset point rP [bar]	-1...15.92
Analogue start point [bar]	-1...12.8
Analogue end point [bar]	2.2...16
In steps of [bar]	0.01

### Volumetric flow quantity monitoring

Measuring range	0...100000000 m³	0...353146667.2 scf
-----------------	------------------	---------------------

# SD6800



## Industrial gas counter

SDR12DGXFRKG/US-100

Display range	0...100000000 m <sup>3</sup>	0...353146667.2 scf
Set point SP	0.001...10000000 m <sup>3</sup>	0.05...353146667.2 scf
Pulse value	0.001...10000000 m <sup>3</sup>	0.05...353146667.2 scf
In steps of	0.0001 m <sup>3</sup>	0.005 scf
Pulse length [s]		0.002...2
<b>Temperature monitoring</b>		
Measuring range	-10...60 °C	14...140 °F
Display range	-24...74 °C	-11.2...165.2 °F
Resolution	0.2 °C	0.5 °F
Set point SP	-9.7...60 °C	14.6...140 °F
Reset point rP	-10...59.7 °C	14...139.4 °F
Analogue start point	-10...46 °C	14...114.8 °F
Analogue end point	4...60 °C	39.2...140 °F
In steps of	0.1 °C	0.1 °F
<b>Accuracy / deviations</b>		
Temperature coefficient [1/K]	± 0,07 % MW	
Accuracy (in the measuring range)	± (6 % MW + 0,6 % MEW); at medium temperature 23 °C	
Repeatability	0,8 % MW + 0,2 % MEW	
<b>Pressure monitoring</b>		
Repeatability [% of the final value]	± 0,2	
Characteristics deviation [% of the final value]	< ± 0,5; (BFSL = Best Fit Straight Line)	
Greatest TEMPCO of the span [% MEW / 10 K]	± 0,15	
Greatest TEMPCO of the zero point [% MEW / 10 K]	± 0,25	
<b>Temperature monitoring</b>		
Accuracy [K]	± 0,5; (medium flow in the limit area of the flow measurement range)	
<b>Response times</b>		
Response time [s]	0.1; (dAP = 0)	
Damping process value dAP [s]	0...5	
<b>Pressure monitoring</b>		
Response time [s]	0.05	
<b>Temperature monitoring</b>		
Dynamic response T05 / T09 [s]	T09 = 0,5	
<b>Software / programming</b>		
Parameter setting options	hysteresis / window; normally open / normally closed; current/pulse output; display can be rotated and switched off; Display unit; totaliser	
<b>Interfaces</b>		
Communication interface	IO-Link	
Transmission type	COM2 (38,4 kBaud)	
IO-Link revision	1.1	
SDCI standard	IEC 61131-9 CDV	

# SD6800



## Industrial gas counter

SDR12DGXFRKG/US-100

Profiles	Digital Measuring Sensor (0x800A), Identification and Diagnosis (0x4000)	
SIO mode	yes	
Required master port type	A	
Process data analogue	8	
Process data binary	2	
Min. process cycle time [ms]	7.2	
Supported DeviceIDs	<b>Type of operation</b>	<b>DeviceID</b>
	default	1302

Operating conditions		
Ambient temperature [°C]		0...60
Storage temperature [°C]		-20...85
Max. relative air humidity [%]		90
Protection		IP 65; IP 67

Tests / approvals		
EMC	DIN EN 60947-5-9	
CPA approval	model number	003TG
	accuracy class	-
	maximum allowable error	± 7 % FS
	Q (min)	0,1 m³/h (He)
	Q (t)	-
	Q (max)	10 m³/h (He)
Vibration resistance	DIN EN 68000-2-6	5 g (10...2000 Hz)
MTTF [years]		180
UL approval	UL Approval no.	I012
	File number UL	E174189
Pressure Equipment Directive	Sound engineering practice; can be used for stable gases fluid group 2	

Mechanical data		
Weight [g]		715.7
Materials	PBT+PC-GF30; PPS GF40; stainless steel (304/1.4301); stainless steel (303/1.4305); steel (1.5523) galvanised; 2.0401 (brass / CW614N); FKM	
Materials (wetted parts)	stainless steel (304/1.4301); stainless steel (303/1.4305); FKM; ceramics glass passivated; PPS GF40; Al2O3 (ceramics); acrylate	
Process connection	threaded connection R 1/2 DN15	

Displays / operating elements		
Display		colour display 1,44", 128 x 128 pixels
		2 x LED, yellow

Remarks		
Remarks	MW = measured value	
	MEW = Final value of the measuring range	
	Standard conditions: 1013.25 mbar / 15 °C / 0 % relative humidity	
	For information about installation and operation please see the operating instructions.	
Pack quantity	1 pcs.	

# SD6800



## Industrial gas counter

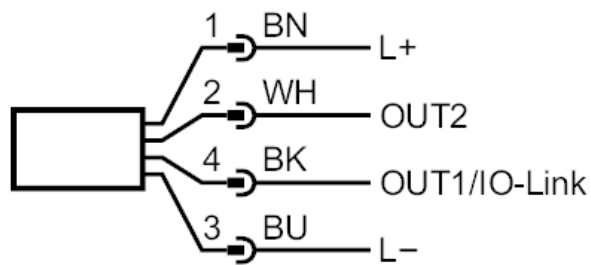
SDR12DGXFRKG/US-100

### Electrical connection

Connector: 1 x M12; coding: A



### Connection



OUT1/IO-Link: switching output flow  
switching output temperature  
switching output pressure  
Pulse output quantity meter

OUT2/InD: signal output Preset counter  
switching output flow  
switching output temperature  
switching output pressure  
analogue output flow  
analogue output temperature  
analogue output pressure  
signal output Preset counter  
Pulse output quantity meter  
input counter reset