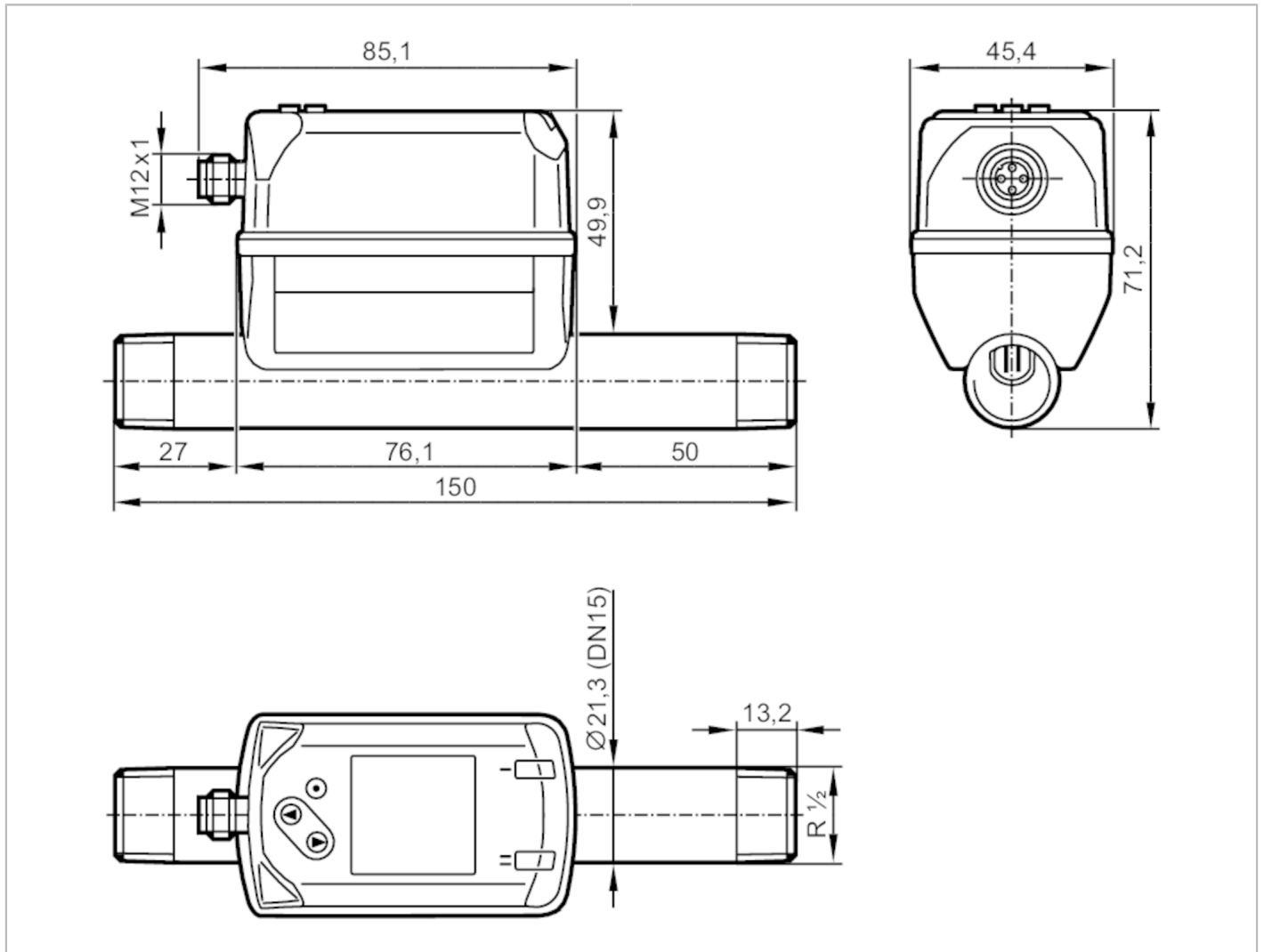


SD6020



Compressed air meter

SDR12DGXFRKG/US-100



Product characteristics	
Number of inputs and outputs	Number of digital outputs: 2; Number of analog outputs: 1
Measuring range	4...1250 l/min 0.3...99.8 m/s 0.25...75 m³/h
Process connection	threaded connection R 1/2 DN15
Application	
Application	for industrial applications
Media	compressed air
Medium temperature [°C]	-10...60
Min. bursting pressure [bar]	64
Min. bursting pressure [MPa]	6.4
Pressure rating [bar]	16
Pressure rating [MPa]	1.6
MAWP (for applications according to CRN) [bar]	16
Electrical data	
Operating voltage [V]	18...30 DC; (to SELV/PELV)

SD6020



Compressed air meter

SDR12DGXFRKG/US-100

Current consumption	[mA]	< 80
Protection class		III
Reverse polarity protection		yes
Power-on delay time	[s]	1

Inputs / outputs

Number of inputs and outputs	Number of digital outputs: 2; Number of analog outputs: 1
------------------------------	---

Inputs

Inputs	counter reset
--------	---------------

Outputs

Output signal	switching signal; analog signal; pulse signal; IO-Link; (configurable)
Electrical design	PNP/NPN
Number of digital outputs	2
Output function	normally open / closed; (configurable)
Max. voltage drop switching output DC	[V] 2.5
Permanent current rating of switching output DC	[mA] 150; (per output)
Number of analog outputs	1
Analog current output	[mA] 4...20; (scalable)
Max. load	[Ω] 500
Pulse output	consumed quantity meter
Short-circuit protection	yes
Type of short-circuit protection	yes (non-latching)
Overload protection	yes

Measuring/setting range

Measuring range	4...1250 l/min	0.3...99.8 m/s	0.25...75 m³/h
Display range	0...1500 l/min	0...119.8 m/s	0...90 m³/h
Resolution	1 l/min	0.1 m/s	0.05 m³/h
Set point SP	11...1250 l/min	0.9...99.8 m/s	0.65...74.97 m³/h
Reset point rP	5...1243 l/min	0.4...99.3 m/s	0.28...74.6 m³/h
Analog start point ASP	0...1000 l/min	0...79.8 m/s	0...60 m³/h
Analog end point AEP	250...1250 l/min	20...99.8 m/s	15...75 m³/h
Low flow cut-off LFC	1...13 l/min	0.1...1.1 m/s	0.09...0.8 m³/h
In steps of	1 l/min	0.1 m/s	0.01 m³/h

Volumetric flow quantity monitoring

Measuring range	0...100000000 m³	0...353146667.2 scf
Display range	0...100000000 m³	0...353146667.2 scf
Set point SP	0.001...10000000 m³	0.05...353146667.2 scf
Pulse value	0.001...10000000 m³	0.05...353146667.2 scf
In steps of	0.0001 m³	0.005 scf
Pulse length	[s]	0.002...2

Temperature monitoring

Measuring range	-10...60 °C	14...140 °F
Display range	-24...74 °C	-11.2...165.2 °F
Resolution	0.2 °C	0.5 °F

SD6020



Compressed air meter

SDR12DGXFRKG/US-100

Set point SP	-9.7...60 °C	14.6...140 °F
Reset point rP	-10...59.7 °C	14...139.4 °F
Analog start point	-10...46 °C	14...114.8 °F
Analog end point	4...60 °C	39.2...140 °F
In steps of	0.1 °C	0.1 °F
Accuracy / deviations		
Temperature coefficient [1/K]	± 0,07 % MW	
Accuracy (in the measuring range)	± (15 % MW + 1,5 % MEW); (maximum value to be achieved for air quality class 344 (DIN8573-1:2010); when using pipes of tolerance class T3/T4; inlet and outlet pipe lengths without edges and abrupt diameter changes; inner surface of the pipe free of burrs)	
Repeatability	± 1,5 % MW	
Temperature monitoring		
Accuracy [K]	± 0,5; (medium flow in the limit area of the flow measurement range)	
Reaction times		
Response time [s]	0.1; (dAP = 0)	
Damping process value dAP [s]	0...5	
Temperature monitoring		
Dynamic response T05 / T09 [s]	T09 = 0,5	
Software / programming		
Parameter setting options	hysteresis / window; normally open / closed; current/pulse output; display can be rotated and switched off; Display unit; totalizer	
Interfaces		
Communication interface	IO-Link	
Transmission type	COM2 (38,4 kBaud)	
IO-Link revision	1.1	
SDCI standard	IEC 61131-9 CDV	
Profiles	Digital Measuring Sensor (0x800A), Identification and Diagnosis (0x4000)	
SIO mode	yes	
Required master port class	A	
Process data analog	6	
Process data binary	2	
Min. process cycle time [ms]	5.9	
Supported DeviceIDs	Type of operation	DeviceID
	default	1001
Operating conditions		
Ambient temperature [°C]	0...60	
Storage temperature [°C]	-20...85	
Max. relative air humidity [%]	90	
Protection	IP 65; IP 67	
Tests / approvals		
EMC	DIN EN 60947-5-9	

SD6020



Compressed air meter

SDR12DGXFRKG/US-100

CPA approval	model number	004TG
	accuracy class	-
	maximum allowable error	± 16,5 % FS
	Q (min)	0,25 m³/h
	Q (t)	-
	Q (max)	75 m³/h
Vibration resistance	DIN EN 68000-2-6	5 g (10...2000 Hz)
MTTF [years]		195
UL approval	UL approval number	I012
	File number UL	E174189
Pressure equipment directive	sound engineering practice; can be used for stable gases fluid group 2	

Mechanical data		
Weight [g]	546.5	
Material	PBT+PC-GF30; PPS GF40; stainless steel (1.4301 / 304); stainless steel (1.4305 / 303); steel (1.5523) galvanized; 2.0401 (brass / CW614N); FKM	
Materials (wetted parts)	stainless steel (1.4301 / 304); stainless steel (1.4305 / 303); FKM; ceramics glass passivated; PPS GF40; acrylate	
Process connection	threaded connection R 1/2 DN15	

Displays / operating elements		
Display	Color display 1,44", 128 x 128 pixels	
	2 x LED, yellow	

Remarks		
Remarks	MW = Measured value	
	MEW = Final value of the measuring range	
	Measuring, display and setting ranges refer to standard volume flow according to DIN ISO 2533.	
	For information about installation and operation please see the operating instructions.	
Pack quantity	1 pcs.	

Electrical connection

Connector: 1 x M12; coding: A



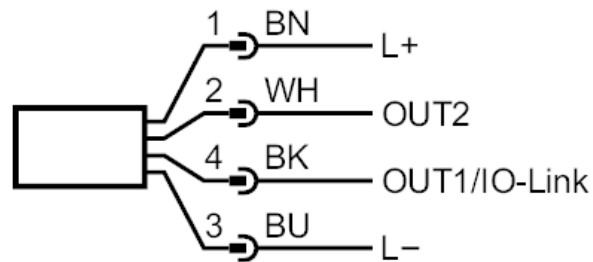
SD6020



Compressed air meter

SDR12DGXFRKG/US-100

Connection



OUT1/IO-Link:	Switching output flow Switching output temperature Pulse output quantity meter signal output Preset counter
OUT2/InD:	Switching output flow Switching output temperature Switching output pressure analog output flow analog output temperature signal output Preset counter Pulse output quantity meter Input counter reset