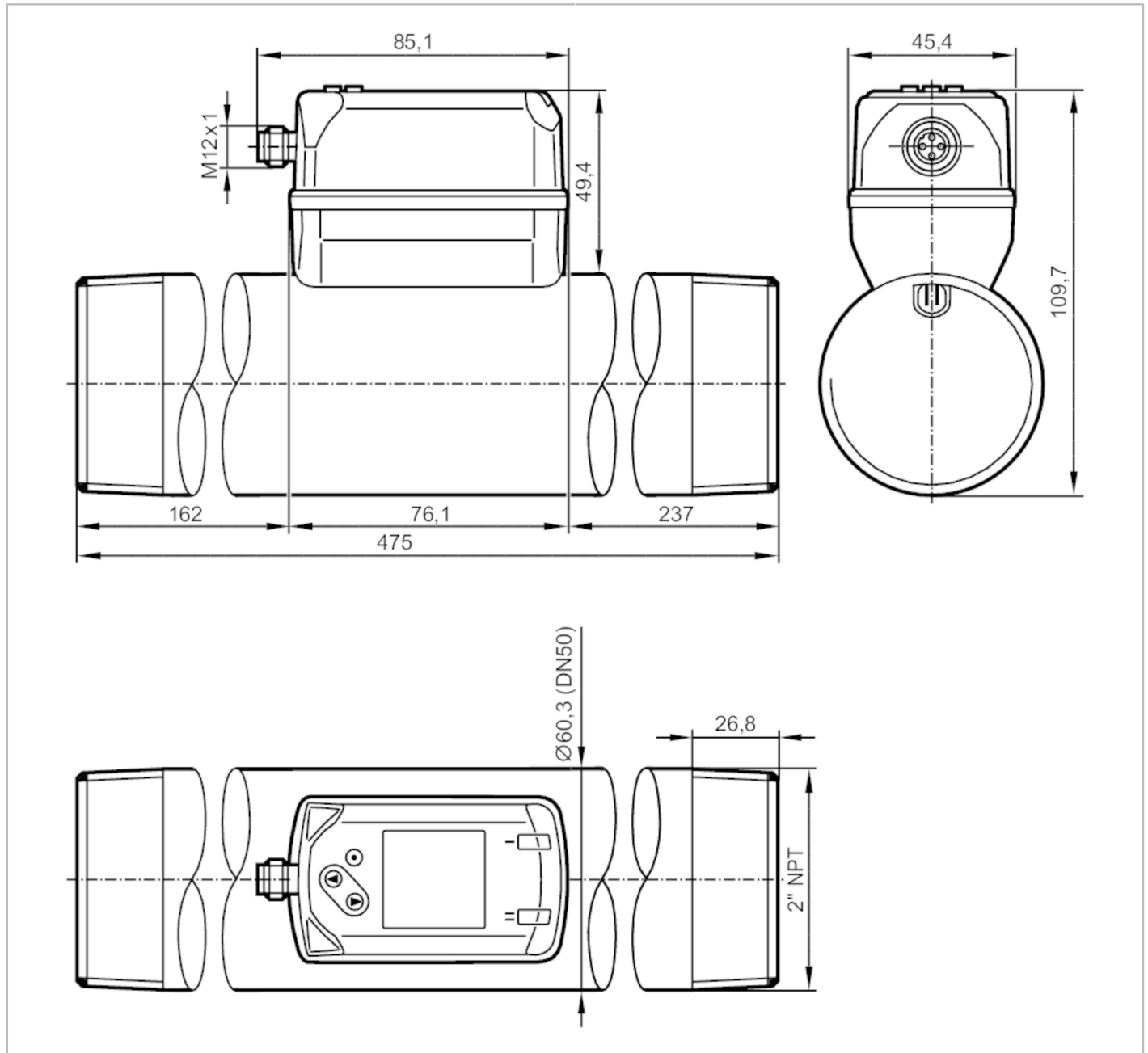


# SD2501



## Compressed air meter

SDN21DGXFRKG/US-100



### Product characteristics

Number of inputs and outputs	Number of digital outputs: 2; Number of analog outputs: 1	
Measuring range [scfh]	80...24720	
Measuring range [scfm]	1.5...412	
Measuring range [ft/s]	1...275.6	
Process connection	threaded connection 2" NPT DN50	

### Application

Application	for industrial applications	
Media	compressed air	
Medium temperature [°C]	-10...60	

# SD2501



## Compressed air meter

SDN21DGXFRKG/US-100

Min. bursting pressure	[psi]	928
Pressure rating	[psi]	232
MAWP (for applications according to CRN)	[bar]	9.5

### Electrical data

Operating voltage	[V]	18...30 DC; (to SELV/PELV)
Current consumption	[mA]	< 80
Protection class		III
Reverse polarity protection		yes
Power-on delay time	[s]	1

### Inputs / outputs

Number of inputs and outputs	Number of digital outputs: 2; Number of analog outputs: 1
------------------------------	---

### Inputs

Inputs	counter reset
--------	---------------

### Outputs

Output signal	switching signal; analog signal; pulse signal; IO-Link; (configurable)
Electrical design	PNP/NPN
Number of digital outputs	2
Output function	normally open / closed; (configurable)
Max. voltage drop switching output DC	[V] 2.5
Permanent current rating of switching output DC	[mA] 150; (per output)
Number of analog outputs	1
Analog current output	[mA] 4...20; (scalable)
Max. load	[Ω] 500
Pulse output	consumed quantity meter
Short-circuit protection	yes
Type of short-circuit protection	yes (non-latching)
Overload protection	yes

### Measuring/setting range

Measuring range	[scfh]	80...24720
Measuring range	[scfm]	1.5...412
Measuring range	[ft/s]	1...275.6
Display range	[scfh]	0...29660
Display range	[scfm]	0...494.5
Display range	[ft/s]	0...330.8
Resolution	[scfh]	20
Resolution	[scfm]	0.5
Resolution	[ft/s]	0.2
Set point SP	[scfh]	210...24710
Set point SP	[scfm]	3.5...411.8
Set point SP	[ft/s]	2.4...275.5
Reset point rP	[scfh]	90...24590

# SD2501



## Compressed air meter

SDN21DGXFRKG/US-100

Reset point rP	[scfm]	1.5...409.8
Reset point rP	[ft/s]	1...274.1
Analog start point ASP	[scfh]	0...19780
Analog start point ASP	[scfm]	0...329.6
Analog start point ASP	[ft/s]	0...220.5
Analog end point AEP	[scfh]	4940...24720
Analog end point AEP	[scfm]	82.4...412
Analog end point AEP	[ft/s]	55.1...275.6
Low flow cut-off LFC	[scfh]	70...250
Low flow cut-off LFC	[scfm]	1.2...4.1
Low flow cut-off LFC	[ft/s]	0.8...2.8
In steps of	[scfh]	1
In steps of	[scfm]	0.1
In steps of	[ft/s]	0.1
<b>Pressure monitoring</b>		
Measuring range	[psi]	-15...232
Display range	[psi]	-15...290
Resolution	[psi]	1
Set point SP	[psi]	-13...232
Reset point rP	[psi]	-15...231
Analog start point	[psi]	-15...186
Analog end point	[psi]	32...232
In steps of	[psi]	1
<b>Volumetric flow quantity monitoring</b>		
Measuring range	0...100000000 m <sup>3</sup>	0...353146667.2 scf
Display range	0...100000000 m <sup>3</sup>	0...353146667.2 scf
Set point SP	0.001...10000000 m <sup>3</sup>	0.05...353146667.2 scf
Pulse value	0.001...10000000 m <sup>3</sup>	0.05...353146667.2 scf
In steps of	0.0001 m <sup>3</sup>	0.005 scf
Pulse length	[s]	0.002...2
<b>Temperature monitoring</b>		
Measuring range	-10...60 °C	14...140 °F
Display range	-24...74 °C	-11.2...165.2 °F
Resolution	0.2 °C	0.5 °F
Set point SP	-9.7...60 °C	14.6...140 °F
Reset point rP	-10...59.7 °C	14...139.4 °F
Analog start point	-10...46 °C	14...114.8 °F
Analog end point	4...60 °C	39.2...140 °F
In steps of	0.1 °C	0.1 °F
<b>Accuracy / deviations</b>		
Temperature coefficient	[1/K]	± 0,07 % MW
Accuracy (in the measuring range)		class 141: ± (2 % MW + 0,5 % MEW); class 344: ± (6 % MW + 0,6 % MEW) ; air quality to ISO 8573-1:2010; at medium temperature 73 °F
Repeatability		± (0,4 % MW + 0,1 % MEW)

# SD2501



## Compressed air meter

SDN21DGXFRKG/US-100

Pressure monitoring		
Repeatability [% of the final value]		± 0,2
Characteristics deviation [% of the final value]		< ± 0,5; (BFSL = Best Fit Straight Line)
Greatest TEMPCO of the span [% MEW / 10 K]		± 0,3
Greatest TEMPCO of the zero point [% MEW / 10 K]		± 0,1
Temperature monitoring		
Accuracy [K]		± 0,5; (medium flow in the limit area of the flow measurement range)
Reaction times		
Response time [s]		0.1; (dAP = 0)
Damping process value dAP [s]		0...5
Pressure monitoring		
Response time [s]		0.05
Temperature monitoring		
Dynamic response T05 / T09 [s]		T09 = 0,5
Software / programming		
Parameter setting options	hysteresis / window; normally open / closed; current/pulse output; display can be rotated and switched off; Display unit; totalizer	
Interfaces		
Communication interface	IO-Link	
Transmission type	COM2 (38,4 kBaud)	
IO-Link revision	1.1	
SDCI standard	IEC 61131-9 CDV	
Profiles	Digital Measuring Sensor (0x800A), Identification and Diagnosis (0x4000)	
SIO mode	yes	
Required master port class	A	
Process data analog	8	
Process data binary	2	
Min. process cycle time [ms]	7.2	
Supported DeviceIDs	<b>Type of operation</b> default	<b>DeviceID</b> 871
Operating conditions		
Ambient temperature [°F]	32...140	
Storage temperature [°F]	-4...185	
Max. relative air humidity [%]	90	
Protection	IP 65; IP 67	
Tests / approvals		
EMC	DIN EN 60947-5-9	
Vibration resistance	DIN EN 68000-2-6 5 g (10...2000 Hz)	
MTTF [years]	183	

# SD2501



## Compressed air meter

SDN21DGXFRKG/US-100

UL approval	UL approval number	I012
	File number UL	E174189
Pressure equipment directive	sound engineering practice; can be used for stable gases fluid group 2	

### Mechanical data

Weight	[g]	2681.5
Material	PBT+PC-GF30; PPS GF40; stainless steel (1.4301 / 304); stainless steel (1.4305 / 303); steel (1.5523) galvanized; 2.0401 (brass / CW614N); FKM	
Materials (wetted parts)	stainless steel (1.4301 / 304); stainless steel (1.4305 / 303); FKM; ceramics glass passivated; PPS GF40; Al2O3 (ceramics); acrylate	
Process connection	threaded connection 2" NPT DN50	

### Displays / operating elements

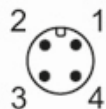
Display	Color display 1,44", 128 x 128 pixels 2 x LED, yellow	
---------	--	--

### Remarks

Remarks	MW = Measured value MEW = Final value of the measuring range Measuring, display and setting ranges refer to standard volume flow according to DIN ISO 2533. For information about installation and operation please see the operating instructions.	
Pack quantity	1 pcs.	

### Electrical connection

Connector: 1 x M12; coding: A



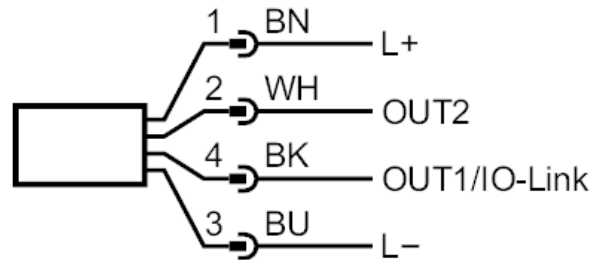
# SD2501



## Compressed air meter

SDN21DGXFRKG/US-100

### Connection



OUT1/IO-Link:	Switching output flow Switching output temperature Switching output pressure Pulse output quantity meter signal output Preset counter
OUT2/InD:	Switching output flow Switching output temperature Switching output pressure analog output flow analog output temperature analog output pressure signal output Preset counter Pulse output quantity meter Input counter reset