

SD2001



Compressed air meter

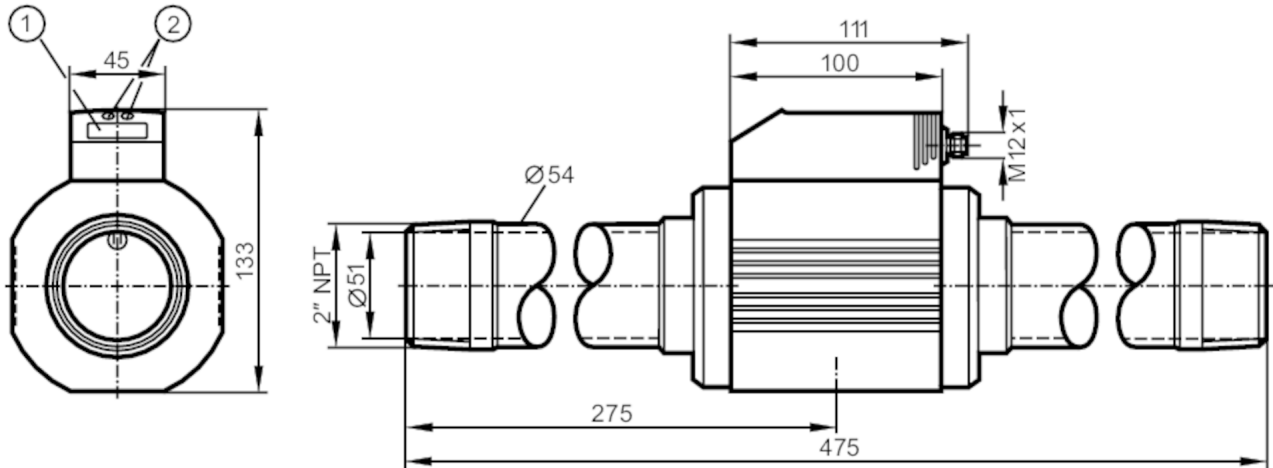
SDN21DGXFPKG/US-100

Article to be discontinued

Discontinuation date: 12/31/2024

Alternative articles: SD2501

When selecting an alternative article and accessories please note that technical data may differ!



- 1 alphanumeric display 4-digit
- 2 Programming buttons



Product characteristics

Number of inputs and outputs	Number of digital outputs: 2; Number of analog outputs: 1	
Measuring range	90...24720 scfh	1.4...412 scfm
Process connection	threaded connection 2" NPT DN50	

Application

Application	for industrial applications	
Media	compressed air	
Note on media	air quality ISO 8573-1	
	class 141	
	class 344	
Medium temperature	[°F]	32...140
Pressure rating	[bar]	16
Pressure rating	[psi]	232
MAWP (for applications according to CRN)	[bar]	16

Electrical data

Operating voltage	[V]	19...30 DC; (to SELV/PELV)
Current consumption	[mA]	< 100
Protection class		III
Reverse polarity protection		yes
Power-on delay time	[s]	0.5



Compressed air meter

SDN21DGXFPKG/US-100

Inputs / outputs		
Number of inputs and outputs	Number of digital outputs: 2; Number of analog outputs: 1	
Outputs		
Total number of outputs	2	
Output signal	switching signal; analog signal; pulse signal; (configurable)	
Electrical design	PNP	
Number of digital outputs	2	
Output function	normally open / closed; (configurable)	
Max. voltage drop switching output DC [V]	2	
Permanent current rating of switching output DC [mA]	250; (per output)	
Number of analog outputs	1	
Analog current output [mA]	4...20; (scalable)	
Max. load [Ω]	500	
Pulse output	consumed quantity meter	
Short-circuit protection	yes	
Type of short-circuit protection	yes (non-latching)	
Overload protection	yes	
Measuring/setting range		
Measuring range	90...24720 scfh	1.4...412 scfm
Display range	0...29670 scfh	0...494.4 scfm
Set point SP	220...24720 scfh	3.7...412 scfm
Reset point rP	100...24600 scfh	1.6...409.9 scfm
Analog start point ASP	0...18540 scfh	0...309 scfm
Analog end point AEP	6180...24720 scfh	103...412 scfm
In steps of	10 scfh	0.1 scfm
Volumetric flow quantity monitoring		
Pulse value	0.400...4 000 000 scf	
In steps of	0.020...1000 scf	
Pulse length [s]	0,049... 2	
Temperature monitoring		
Measuring range [°F]	32...140	
Display range [°F]	32...140	
Accuracy / deviations		
Flow monitoring		
Repeatability [% of the measured value]	± 1,5	
Accuracy (in the measuring range)	± (3 % MW + 0,3 % MEW) / ± (6 % MW + 0,6 % MEW); (class 141 /; class 344; conditions: installation to DIN ISO 2533; installation in pipes: DN50)	
Temperature monitoring		
Accuracy [K]	± 2; (medium flow in the limit area of the flow measurement range)	

SD2001



Compressed air meter

SDN21DGXFPKG/US-100

Reaction times		
Flow monitoring		
Response time	[s]	0.1; (dAP = 0)
Damping process value dAP in steps	[s]	0 - 0,2 - 0,4 - 0,6 - 0,8 - 1
Software / programming		
Parameter setting options	Flow monitoring; quantity meter; Preset counter; hysteresis / window; normally open / closed; current/pulse output; display can be rotated and switched off; Display unit	
Operating conditions		
Ambient temperature	[°F]	32...140
Storage temperature	[°F]	-4...185
Max. relative air humidity	[%]	90
Protection		IP 65
Tests / approvals		
EMC	DIN EN 61000-6-2	
	DIN EN 61000-6-3	
Vibration resistance	DIN EN 68000-2-6	5 g (55...2000 Hz)
MTTF	[years]	227
Pressure equipment directive	sound engineering practice; can be used for group 2 fluids; group 1 fluids on request	
Mechanical data		
Weight	[g]	4269.5
Material	PBT-GF20; NBR; PC; stainless steel (1.4301 / 304); PTFE; brass coated; FKM; aluminum powder-coated	
Materials (wetted parts)	stainless steel (1.4301 / 304); FKM; ceramics glass passivated; PEEK GF30; polyester; aluminum	
Process connection	threaded connection 2" NPT DN50	
Displays / operating elements		
Display	Display unit	4 x LED, green (scfm, scfh, scf, °F)
	Function display	1 x LED, yellow
	Switching status	2 x LED, yellow
	Measured values	alphanumeric display, 4-digit
	Programming	alphanumeric display, 4-digit
Remarks		
Remarks	scf = standard cubic feet	
	scfh = standard cubic feet per hour	
	scfm = standard cubic feet per minute	
	MW = Measured value	
	MEW = Final value of the measuring range	
	Measuring, display and setting ranges refer to standard volume flow according to DIN ISO 2533.	
	For information about installation and operation please see the operating instructions.	
Pack quantity	1 pcs.	

SD2001



Compressed air meter

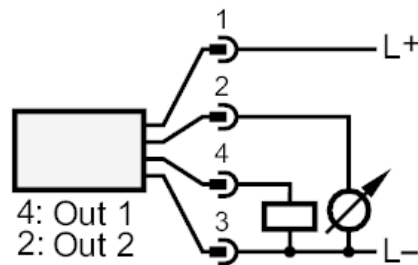
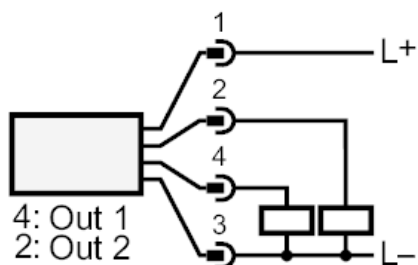
SDN21DGXFPKG/US-100

Electrical connection

Connector: 1 x M12; coding: A



Connection



- OUT1: Switching output
Pulse output quantity meter
signal output Preset counter
- OUT2: Switching output
analog output