

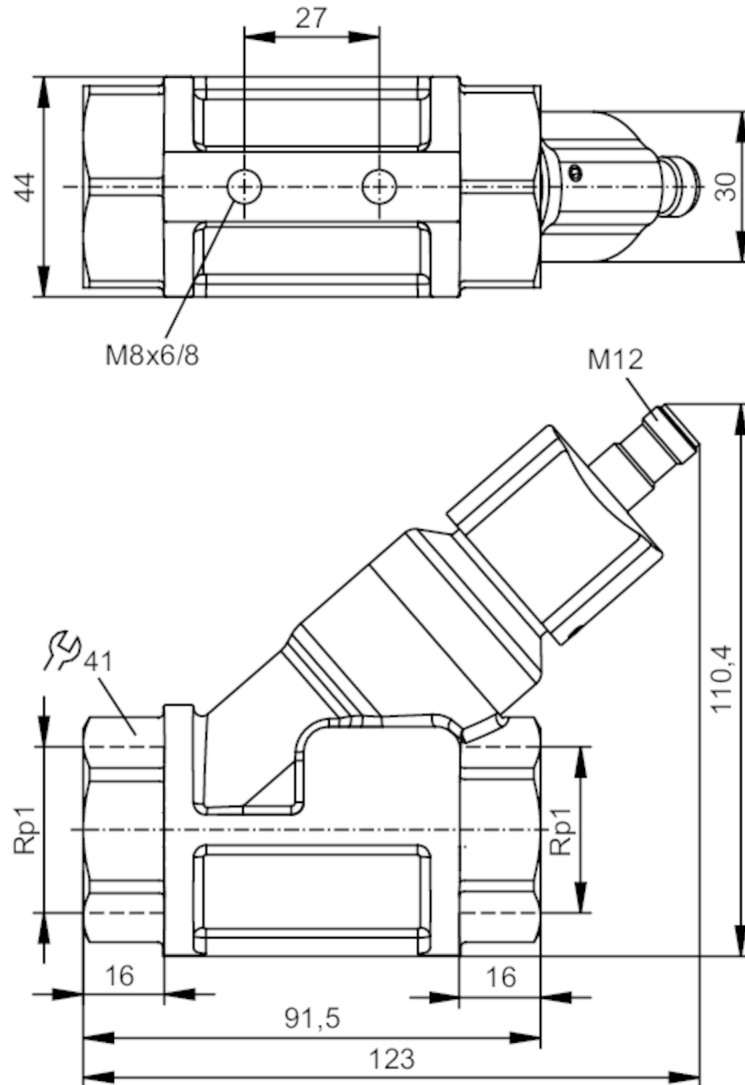
# SBY446



## Flow transmitters with fast response time

SBY11HF010KG/US

Please note the changed housing design!



### Product characteristics

Measuring range	[l/min]	4...100
Process connection		Rp 1

### Application

Media		Liquids; water; glycol solutions; Coolants
Medium temperature	[°C]	-10...100
Pressure rating	[bar]	25
Pressure rating	[MPa]	2.5

### Electrical data

Operating voltage	[V]	18...32 DC; (to SELV/PELV)
-------------------	-----	----------------------------

# SBY446



## Flow transmitters with fast response time

SBY11HF010KG/US

Current consumption	[mA]	< 35
Protection class		III
Reverse polarity protection		yes
<b>Outputs</b>		
Output signal		analog signal
Analog current output	[mA]	4...20
Max. load	[Ω]	500
Short-circuit protection		yes
Overload protection		yes
<b>Measuring/setting range</b>		
Measuring range	[l/min]	4...100
<b>Accuracy / deviations</b>		
Repeatability		1
	[% of the final value]	
Measuring error		± 5
	[% of the final value]	
<b>Reaction times</b>		
Response time	[s]	< 0.01
<b>Operating conditions</b>		
Ambient temperature	[°C]	0...60
Storage temperature	[°C]	-15...80
Protection		IP 65; IP 67
<b>Tests / approvals</b>		
EMC	DIN EN 61000-6-2	
	DIN EN 61000-6-3	
Shock resistance	DIN EN 60068-2-27	20 g (11 ms)
Vibration resistance	DIN EN 60068-2-6	5 g (10...2000 Hz)
MTTF	[years]	778
<b>Mechanical data</b>		
Weight	[g]	1093.8
Material		brass chemically nickel-plated; PP; stainless steel (1.4404 / 316L); aluminum anodized; PA
Materials (wetted parts)		stainless steel (1.4401 / 316); brass; brass chemically nickel-plated; PP; PPS; O-ring: FKM
Process connection		Rp 1
Switching cycles mechanical		10 million
<b>Remarks</b>		
Remarks		Recommendation Use 200 micron filtration All data refer to water (20 °C).
Notes		Please note the changed housing design!
Pack quantity		1 pcs.

# SBY446



## Flow transmitters with fast response time

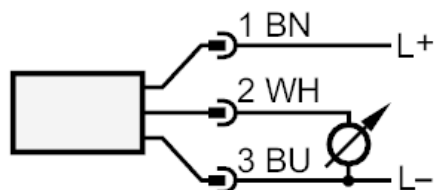
SBY11HF010KG/US

### Electrical connection

Connector: 1 x M12; coding: A



### Connection



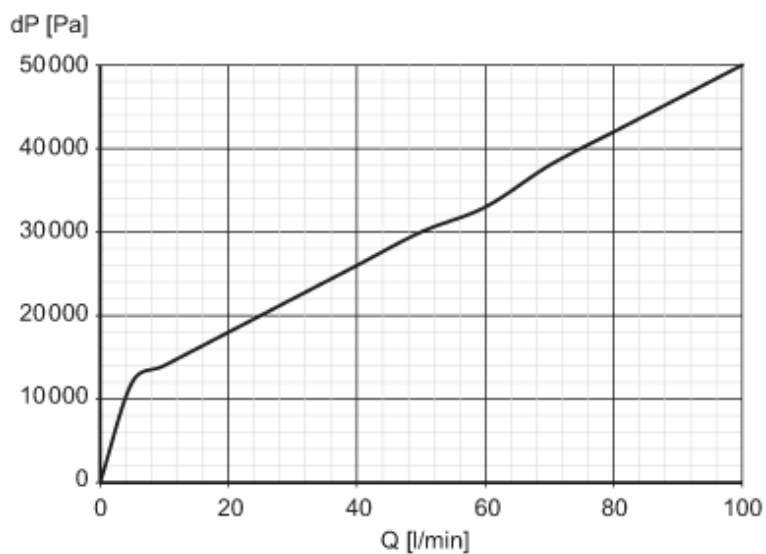
Colors to DIN EN 60947-5-2

Core colors :

- BN = brown
- BU = blue
- WH = white

### Diagrams and graphs

Pressure loss



dP Pressure loss

Q volumetric flow quantity