

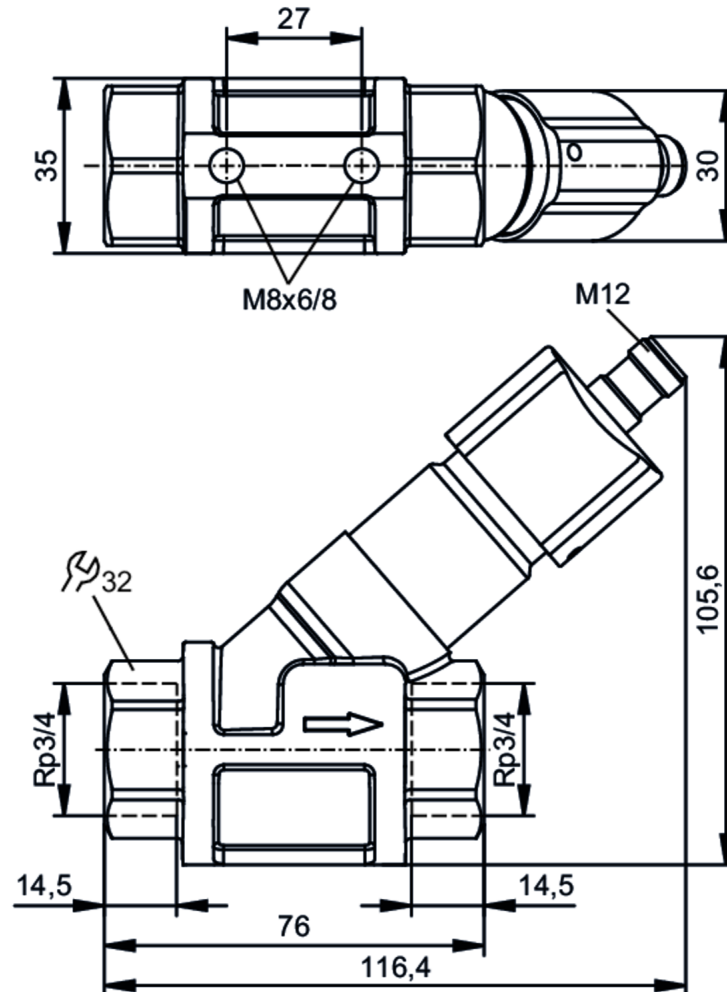
SBY434



Flow transmitters with fast response time

SBY34HF010KG/US

Please note the changed housing design!



Product characteristics

| | | |
|--------------------|---------|--------|
| Measuring range | [l/min] | 2...50 |
| Process connection | | Rp 3/4 |

Application

| | | |
|--------------------|-------|--|
| Media | | Liquids; water; glycol solutions; Coolants |
| Medium temperature | [°C] | -10...100 |
| Pressure rating | [bar] | 40 |
| Pressure rating | [MPa] | 4 |

Electrical data

| | | |
|-----------------------------|------|----------------------------|
| Operating voltage | [V] | 18...32 DC; (to SELV/PELV) |
| Current consumption | [mA] | < 35 |
| Protection class | | III |
| Reverse polarity protection | | yes |

SBY434



Flow transmitters with fast response time

SBY34HF010KG/US

| Outputs | | |
|--|---|--------------------|
| Output signal | analog signal | |
| Analog current output [mA] | 4...20 | |
| Max. load [Ω] | 500 | |
| Short-circuit protection | yes | |
| Overload protection | yes | |
| Measuring/setting range | | |
| Measuring range [l/min] | 2...50 | |
| Accuracy / deviations | | |
| Repeatability [% of the final value] | 1 | |
| Measuring error [% of the final value] | ± 5 | |
| Reaction times | | |
| Response time [s] | < 0.01 | |
| Operating conditions | | |
| Ambient temperature [$^{\circ}\text{C}$] | 0...60 | |
| Storage temperature [$^{\circ}\text{C}$] | -15...80 | |
| Protection | IP 65; IP 67 | |
| Tests / approvals | | |
| EMC | DIN EN 61000-6-2 | |
| | DIN EN 61000-6-3 | |
| Shock resistance | DIN EN 60068-2-27 | 20 g (11 ms) |
| Vibration resistance | DIN EN 60068-2-6 | 5 g (10...2000 Hz) |
| MTTF [years] | | 778 |
| Mechanical data | | |
| Weight [g] | | 469 |
| Material | brass chemically nickel-plated; PP; stainless steel (1.4404 / 316L); aluminum anodized; PA | |
| Materials (wetted parts) | stainless steel (1.4401 / 316); brass; brass chemically nickel-plated; PP; PPS; O-ring: FKM | |
| Process connection | | Rp 3/4 |
| Switching cycles mechanical | | 10 million |
| Remarks | | |
| Remarks | Recommendation Use 200 micron filtration All data refer to water (20 $^{\circ}\text{C}$). | |
| Notes | Please note the changed housing design! | |
| Pack quantity | | 1 pcs. |

SBY434



Flow transmitters with fast response time

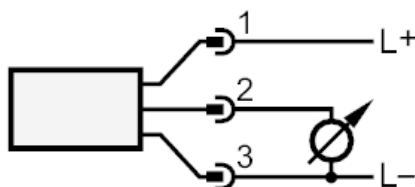
SBY34HF010KG/US

Electrical connection

Connector: 1 x M12; coding: A

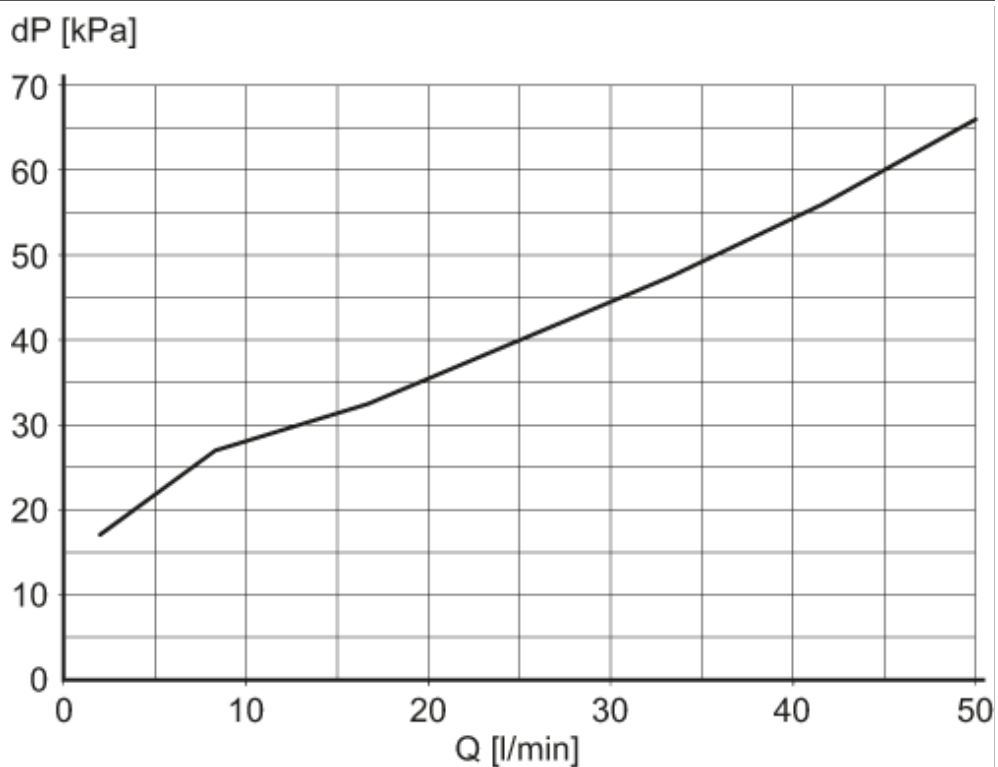


Connection



Diagrams and graphs

Pressure loss



dP Pressure loss

Q volumetric flow quantity