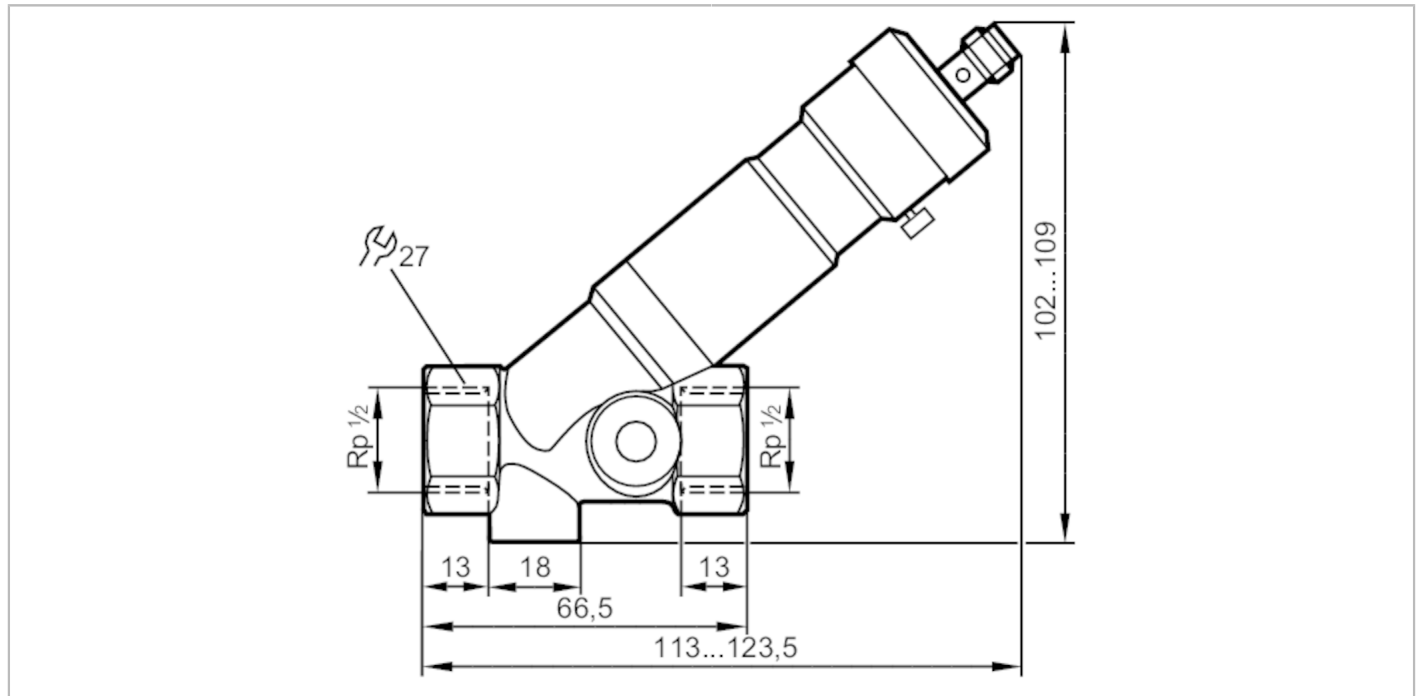


# SBY323



## Flow sensor with fast response time

SBY12BF0BPKG/US



### Product characteristics

Number of inputs and outputs	Number of digital outputs: 1
Process connection	Rp 1/2

### Application

Media	Liquids; water; glycol solutions; Coolants
Medium temperature [°C]	0...85
Pressure rating [bar]	25
Pressure rating [MPa]	2.5

### Electrical data

Operating voltage [V]	10...30 DC; (to SELV/PELV)
Current consumption [mA]	< 15
Protection class	III
Reverse polarity protection	yes

### Inputs / outputs

Number of inputs and outputs	Number of digital outputs: 1
------------------------------	------------------------------

### Outputs

Total number of outputs	1
Output signal	switching signal
Electrical design	PNP
Number of digital outputs	1
Output function	normally open
Max. voltage drop switching output DC [V]	2.5
Permanent current rating of switching output DC [mA]	100

# SBY323



## Flow sensor with fast response time

SBY12BF0BPKG/US

Short-circuit protection		yes
Overload protection		yes
<b>Measuring/setting range</b>		
Setting range	[l/min]	2...20
<b>Accuracy / deviations</b>		
Repeatability		1
	[% of the final value]	
Hysteresis	[l/min]	0,3...4
Measuring error		± 5
	[% of the final value]	
<b>Reaction times</b>		
Response time	[s]	< 0.01
<b>Operating conditions</b>		
Ambient temperature	[°C]	0...60
Storage temperature	[°C]	-15...80
Protection		IP 65; IP 67
<b>Tests / approvals</b>		
EMC	DIN EN 61000-6-2	
	DIN EN 61000-6-3	
Shock resistance	DIN EN 60068-2-27	20 g (11 ms)
Vibration resistance	DIN EN 60068-2-6	5 g (10...2000 Hz)
MTTF	[years]	15.78
<b>Mechanical data</b>		
Weight	[g]	388.5
Material		brass chemically nickel-plated; PP; aluminum anodized; PA
Materials (wetted parts)		stainless steel (1.4310 / 301); stainless steel (1.4301 / 304); PBT; brass chemically nickel-plated; PP; PPS; O-ring: FKM
Process connection		Rp 1/2
Switching cycles mechanical		10 million
<b>Displays / operating elements</b>		
Display	Switching status	4 x LED, yellow
<b>Accessories</b>		
Items supplied		Allen key
<b>Remarks</b>		
Remarks		Caution Do not turn the setting screw beyond the maximum value of the setting range. All data refer to water (20 °C).
Pack quantity		1 pcs.

# SBY323



## Flow sensor with fast response time

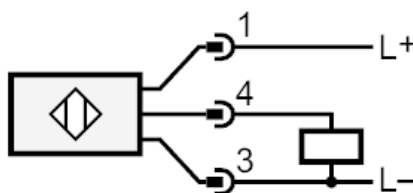
SBY12BF0BPKG/US

### Electrical connection

Connector: 1 x M12; coding: A

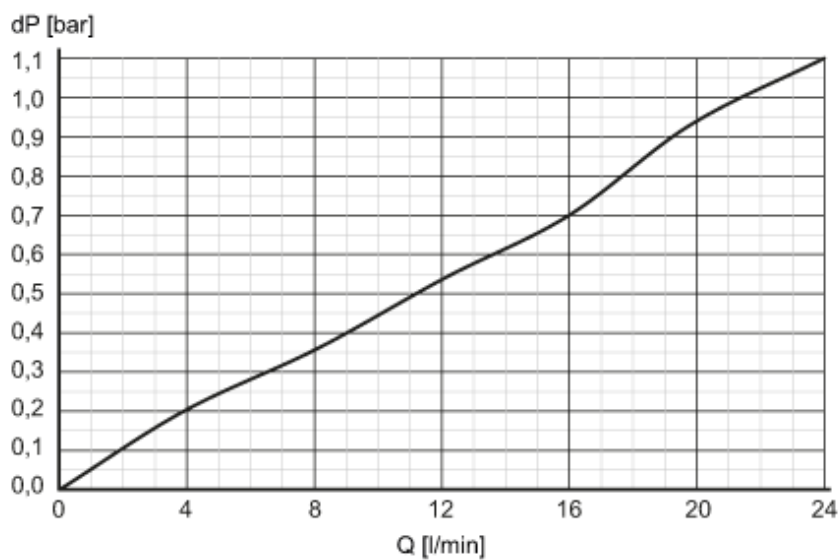


### Connection



### Diagrams and graphs

#### Pressure loss



dP Pressure loss

Q volumetric flow quantity