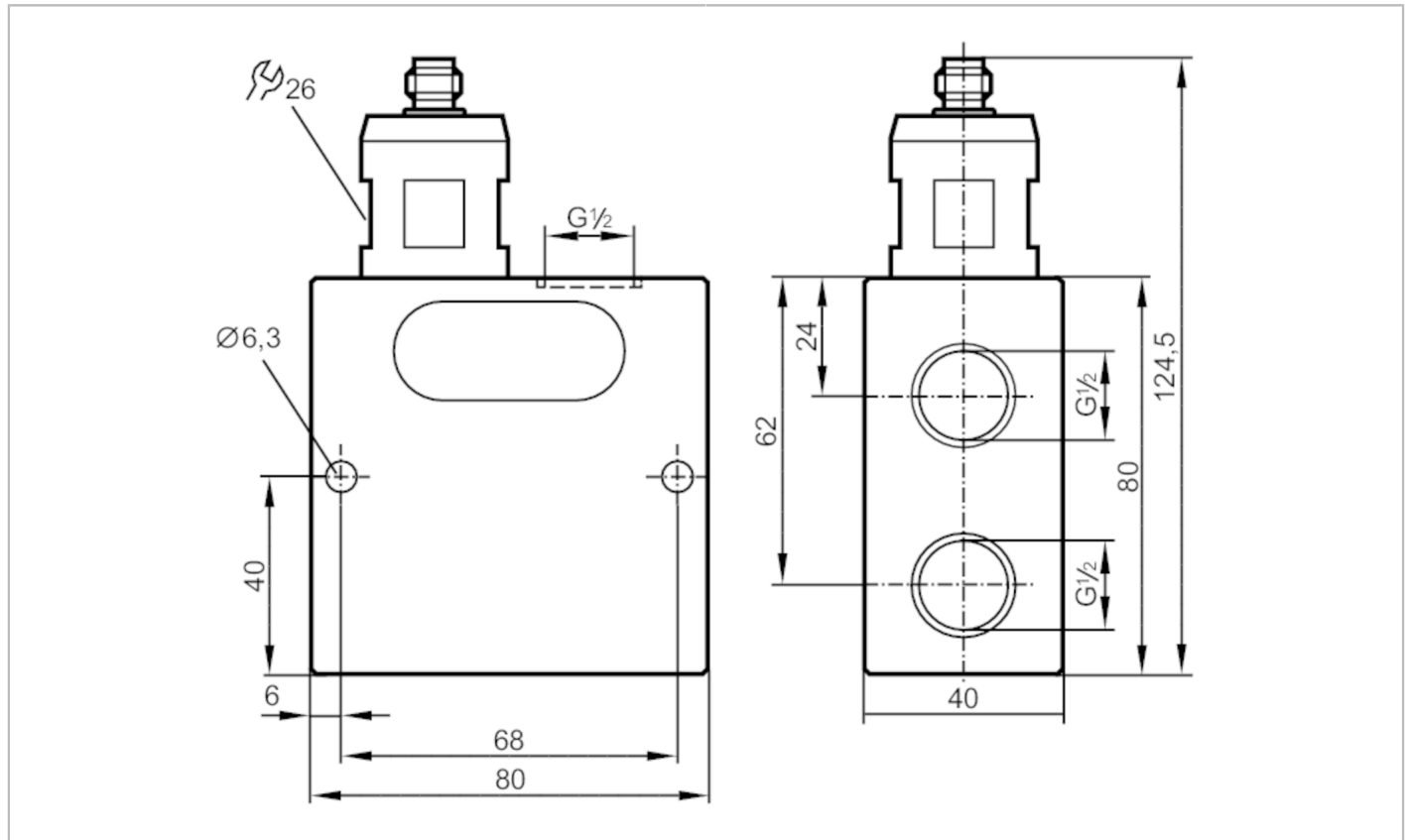


SBU623



Flow transmitters with fast response time

SBU12DI040KG/US




Product characteristics	
Measuring range	[l/min] 0.3...25
Process connection	G 1/2
Application	
Application	Machine tools; Internal cooling of drill
Media	Liquids; water; glycol solutions; Coolants
Medium temperature	[°C] 0...60
Pressure rating	[bar] 200
Pressure rating	[MPa] 20
Electrical data	
Operating voltage tolerance	[%] -15...10
Operating voltage	[V] 24 DC; (to SELV/PELV)
Current consumption	[mA] 10
Protection class	III
Reverse polarity protection	yes
Outputs	
Output signal	analog signal
Analog voltage output	[V] 0.5...10
Min. load resistance	[Ω] 10000
Short-circuit protection	yes
Overload protection	yes

SBU623



Flow transmitters with fast response time

SBU12DI040KG/US

Measuring/setting range		
Measuring range	[l/min]	0.3...25
Flow range	[l/min]	75
Accuracy / deviations		
Repeatability		1
	[% of the final value]	
Measuring error		± 5
	[% of the final value]	
Reaction times		
Response time	[s]	< 0.01
Operating conditions		
Ambient temperature	[°C]	0...60
Storage temperature	[°C]	-15...80
Protection		IP 65; IP 67
Tests / approvals		
EMC	DIN EN 61000-6-2	
	DIN EN 61000-6-3	
Shock resistance	DIN EN 60068-2-27	20 g (11 ms)
Vibration resistance	DIN EN 60068-2-6	5 g (10...2000 Hz)
MTTF	[years]	3004
Mechanical data		
Weight	[g]	740.5
Material		aluminum anodized; PA
Materials (wetted parts)		stainless steel (1.4401 / 316); brass; aluminum anodized; PU; O-ring: FKM
Process connection		G 1/2
Switching cycles mechanical		10 million
Accessories		
Items supplied		sealing plug
Remarks		
Remarks		Temperature changes affect the specified standard settings for coolants. For oils, the settings are influenced by temperature and viscosity. Recommendation Use 200 micron filtration All data refer to coolants (20 °C).
Pack quantity		1 pcs.
Electrical connection		
Connector: 1 x M12; coding: A		
		

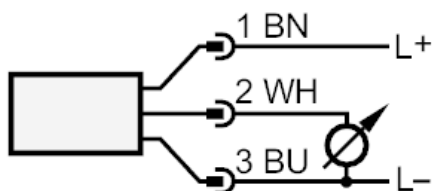
SBU623



Flow transmitters with fast response time

SBU12DI040KG/US

Connection



Colors to DIN EN 60947-5-2

Core colors :

BN = brown
BU = blue
WH = white

Diagrams and graphs

